

62131-6 ✓ ACTIVE

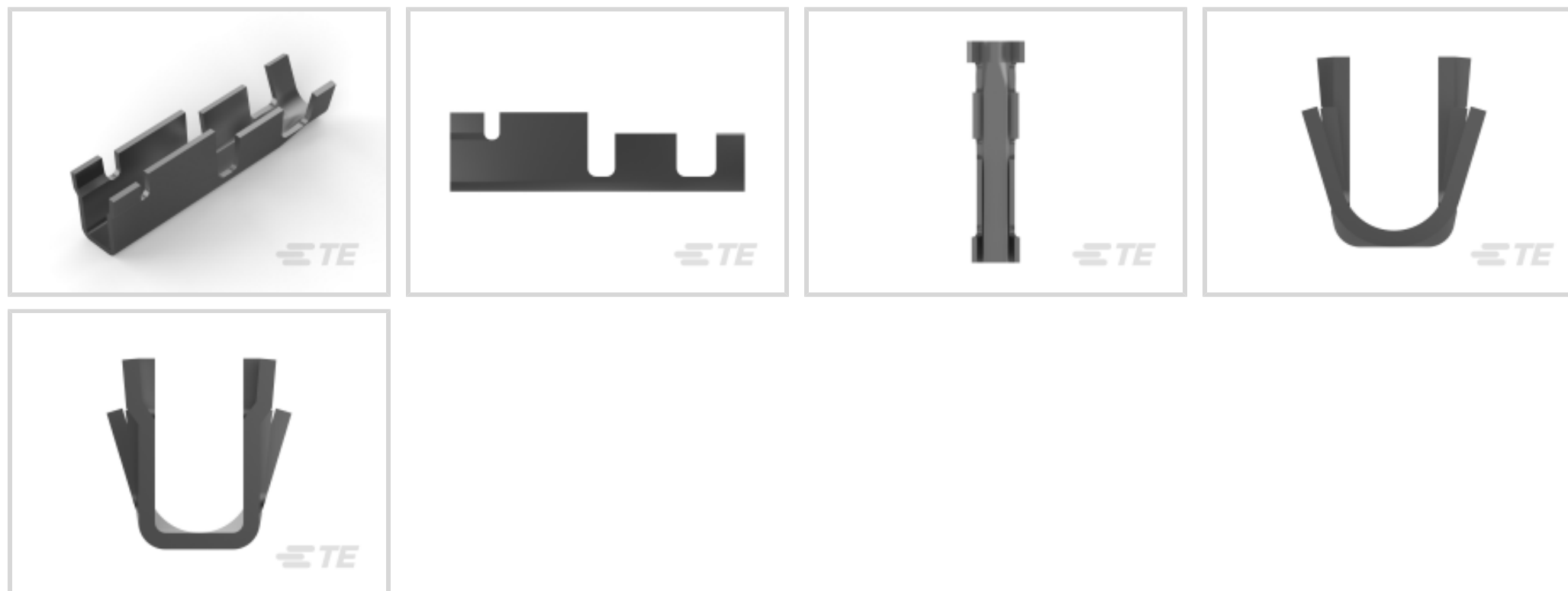
TE Internal #: 62131-6

Magnet Wire Terminals, Receptacle, Lead Wire Size 18 – 16 AWG,
Lead Wire Size .82 – 1.3 mm², Crimp, Crimp Area Length 3.56 mm [.14 in], Tin Plating

[View on TE.com >](#)



Terminals & Splices > Magnet Wire Terminals



Magnet Wire Terminal Type: **Receptacle**

Mating Pin Diameter: **2.29 mm [.09 in]**

Accepts Wire Insulation Diameter (Max): **2.62 mm [.103 in]**

Accepts Wire Insulation Diameter Range: **1.5 – 2.62 mm [.059 – .103 in]**

Lead Wire Size: **18 – 16 AWG**

Features

Product Type Features

Wire Insulation Support Retention Type

Insulation Support

Compatible With Discrete Wire Type

Stranded

Configuration Features

Compatible With Wire & Cable Type

Discrete Wire

Contact Features

Magnet Wire Terminal Type

Receptacle

Mating Pin Diameter

2.29 mm [.09 in]

Terminal Plating Material

Tin

Terminal Orientation

Straight

Termination Features

Termination Method to Wire & Cable

Crimp

Crimp Area Length

3.56 mm [.14 in]

Mechanical Attachment

Wire Insulation Support

With



Housing Features

Housing Retention Force	Standard
-------------------------	----------

Dimensions

Terminal Height	4.57 mm [.18 in]
Accepts Wire Insulation Diameter (Max)	2.62 mm [.103 in]
Accepts Wire Insulation Diameter Range	1.5 – 2.62 mm [.059 – .103 in]
Lead Wire Size	.82 – 1.3 mm ²
Stock Thickness (Magnet Wire Side)	.41 mm [.016 in]
Overall Product Length	17.02 mm [.67 in]

Usage Conditions

Insulation Option	Uninsulated
-------------------	-------------

Operation/Application

Compatible With Wire Base Material	Copper
------------------------------------	--------

Packaging Features

Packaging Quantity	17000
Packaging Method	Reel

Other

Comment	Additional performance requirements apply., Consult TE Product Engineering for specifics.
---------	---

Product Compliance

[For compliance documentation, visit the product page on TE.com>](#)

EU RoHS Directive 2011/65/EU	Compliant
EU ELV Directive 2000/53/EC	Compliant
China RoHS 2 Directive MIIT Order No 32, 2016	No Restricted Materials Above Threshold
EU REACH Regulation (EC) No. 1907/2006	Current ECHA Candidate List: JUNE 2022 (224) Candidate List Declared Against: JAN 2022 (223) SVHC > Threshold: Not Yet Reviewed
Halogen Content	Low Halogen - Br, Cl, F, I < 900 ppm per homogenous material. Also BFR/CFR/PVC Free

Solder Process Capability

Not applicable for solder process capability

Product Compliance Disclaimer

This information is provided based on reasonable inquiry of our suppliers and represents our current actual knowledge based on the information they provided. This information is subject to change. The part numbers that TE has identified as EU RoHS compliant have a maximum concentration of 0.1% by weight in homogenous materials for lead, hexavalent chromium, mercury, PBB, PBDE, DBP, BBP, DEHP, DIBP, and 0.01% for cadmium, or qualify for an exemption to these limits as defined in the Annexes of Directive 2011/65/EU (RoHS2). Finished electrical and electronic equipment products will be CE marked as required by Directive 2011/65/EU. Components may not be CE marked. Additionally, the part numbers that TE has identified as EU ELV compliant have a maximum concentration of 0.1% by weight in homogenous materials for lead, hexavalent chromium, and mercury, and 0.01% for cadmium, or qualify for an exemption to these limits as defined in the Annexes of Directive 2000/53/EC (ELV). Regarding the REACH Regulation, the information TE provides on SVHC in articles for this part number is based on the latest European Chemicals Agency (ECHA) 'Guidance on requirements for substances in articles' posted at this URL: <https://echa.europa.eu/guidance-documents/guidance-on-reach>

Compatible Parts



TE Part # 141101-2
RECEPT CLUSTER



TE Part # 2-2150436-2
OCEAN_2.0_APPLICATOR-E-110F140F



TE Part # 2150436-2
OCEAN_2.0_APPLICATOR-E-110F140F



TE Part # 235280-6
CLUSTER BLOCK HSG .090 DIA

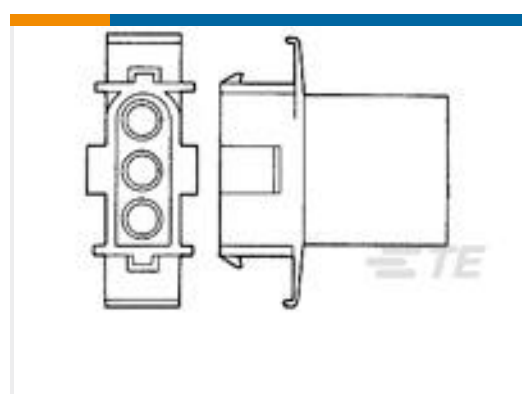


TE Part # 62131-8
CLSTR PIN RCPT

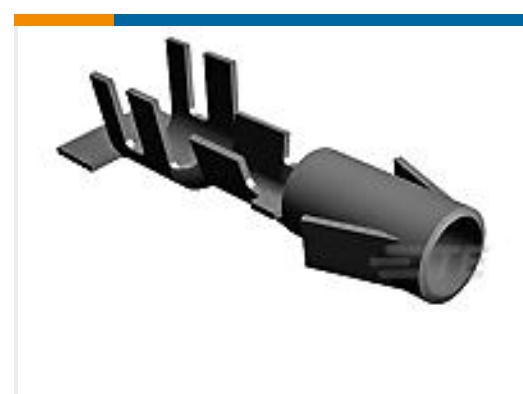


TE Part # 7-2150436-7
OCEAN_2.0_SPARE_PART_KIT-110F140F

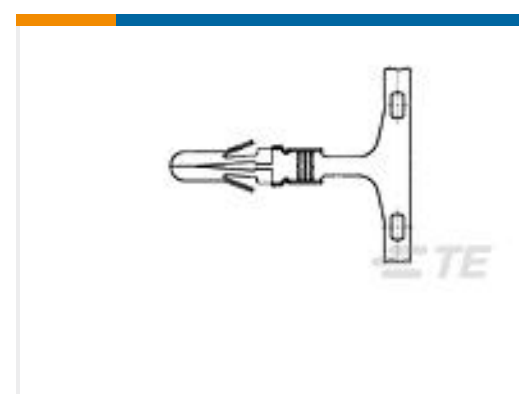
Customers Also Bought



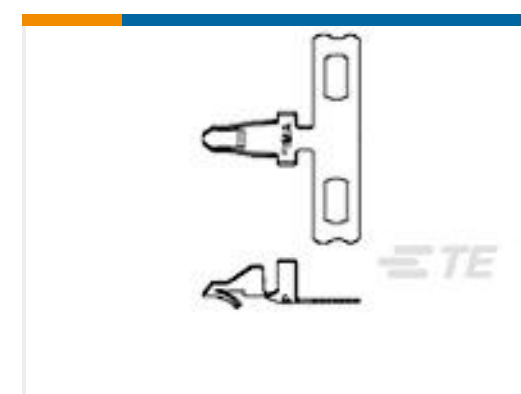
TE Part #1-350345-0
02P .140 MNL CAP P/M NAT



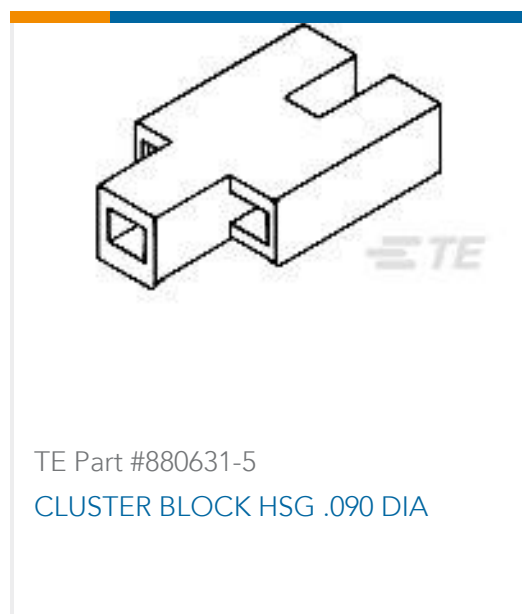
TE Part #880687-2
.140 DIA SOCKET



TE Part #880685-2
.140 DIA PIN



TE Part #3-350566-1
MINI AMP-IN 22-18 PTLP/PHBZ



Documents

CAD Files

3D PDF

3D

Customer View Model

[ENG_CVM_CVM_62131-6_AV.2d_dxf.zip](#)

English

Customer View Model

[ENG_CVM_CVM_62131-6_AV.3d_igs.zip](#)

English

Customer View Model

[ENG_CVM_CVM_62131-6_AV.3d_stp.zip](#)

English

By downloading the CAD file I accept and agree to the [Terms and Conditions](#) of use.

Datasheets & Catalog Pages

Magnet Wire Terminals & Splices

English

Product Specifications

Application Specification

English

Product Environmental Compliance

Product Compliance

English

Product Compliance

English

Agency Approvals

Agency Approval Document

English