

5552563-1 ✓ ACTIVE

CHAMP | CHAMP Docking Connectors

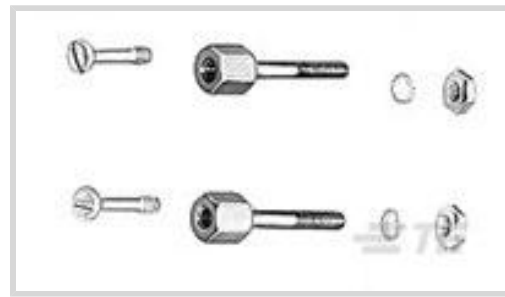
TE Internal #: 5552563-1

D-Sub Locking & Mounting, Hardware Kits, Screw Length 19.05 mm [.75 in], CHAMP Docking Connectors

[View on TE.com >](#)



Connectors > D-Shaped Connectors > D-Sub Accessories > Locking & Mounting



D-Shaped Connector Accessories: **Hardware Kits**

Screw Length: 19.05 mm [.75 in]

Features

Product Type Features

Product Type	Accessory
D-Shaped Connector Accessories	Hardware Kits

Mechanical Attachment

Mounting Angle	Vertical
Screw & Hole Thread Size	4-40 UNC 2A
Screw Length	19.05 mm [.75 in]

Operation/Application

For Use With	Vertical Mount PCB Connectors
--------------	-------------------------------

Packaging Features

Packaging Quantity	1, 2
Packaging Method	Bag, Kit

Product Compliance

[For compliance documentation, visit the product page on TE.com>](#)

EU RoHS Directive 2011/65/EU	Compliant
EU ELV Directive 2000/53/EC	Compliant
China RoHS 2 Directive MIIT Order No 32, 2016	No Restricted Materials Above Threshold
EU REACH Regulation (EC) No. 1907/2006	Current ECHA Candidate List: JUNE 2022 (224) Candidate List Declared Against: JAN 2021 (211) SVHC > Threshold: Not Yet Reviewed



Halogen Content

Not Yet Reviewed for halogen content

Solder Process Capability

Not applicable for solder process capability

Product Compliance Disclaimer

This information is provided based on reasonable inquiry of our suppliers and represents our current actual knowledge based on the information they provided. This information is subject to change. The part numbers that TE has identified as EU RoHS compliant have a maximum concentration of 0.1% by weight in homogenous materials for lead, hexavalent chromium, mercury, PBB, PBDE, DBP, BBP, DEHP, DIBP, and 0.01% for cadmium, or qualify for an exemption to these limits as defined in the Annexes of Directive 2011/65/EU (RoHS2). Finished electrical and electronic equipment products will be CE marked as required by Directive 2011/65/EU. Components may not be CE marked. Additionally, the part numbers that TE has identified as EU ELV compliant have a maximum concentration of 0.1% by weight in homogenous materials for lead, hexavalent chromium, and mercury, and 0.01% for cadmium, or qualify for an exemption to these limits as defined in the Annexes of Directive 2000/53/EC (ELV). Regarding the REACH Regulation, the information TE provides on SVHC in articles for this part number is based on the latest European Chemicals Agency (ECHA) 'Guidance on requirements for substances in articles' posted at this URL: <https://echa.europa.eu/guidance-documents/guidance-on-reach>

Compatible Parts



Also in the Series | CHAMP Docking Connectors



D-Sub Covers(28)



D-Sub Locking & Mounting(31)



Docking Connector Guide Hardware(5)



Docking Connectors(35)

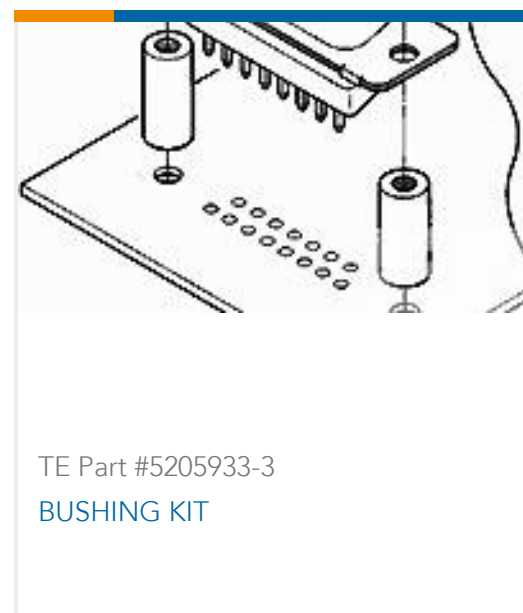
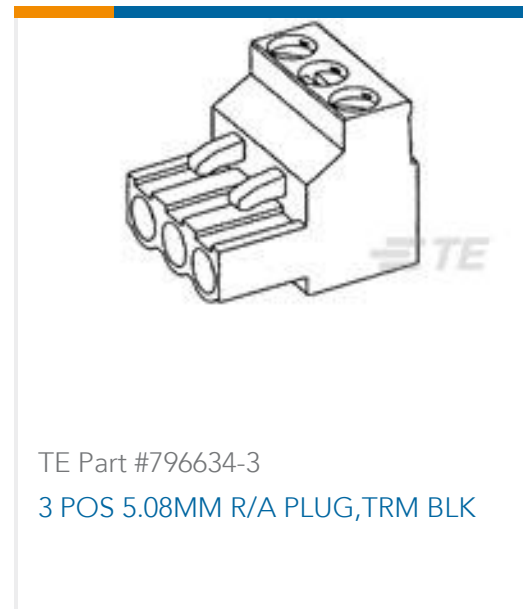


IDC D-Sub Connectors(81)



PCB D-Sub Connectors(1)

Customers Also Bought



Documents

Product Drawings

HDW KIT, SCR LOCK, VERT MTG

English