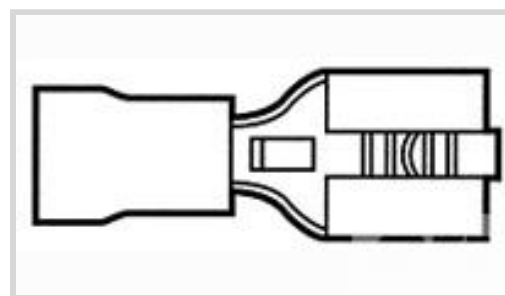




Terminals &amp; Splices &gt; Quick Disconnects

Quick Disconnect Terminal Type: **Receptacle**Wire Size: **2050 – 5180 CMA**Mating Tab Width: **6.35 mm [ .25 in ]**

## Features

### Product Type Features

Terminates To	Wire & Cable
Wire Stop	Yes
Insertion Force	Normal
Sealable	No

### Electrical Characteristics

Voltage (Max)	300 V
---------------	-------

### Body Features

Insulation Material	Nylon
---------------------	-------

### Contact Features

Quick Disconnect Terminal Type	Receptacle
Mating Tab Width	6.35 mm [.25 in]
Mating Tab Thickness	.81 mm [.032 in]
Terminal Orientation	Straight
Contact Base Material	Brass
Terminal Plating Material	Tin
Crimp Type	Compression
Barrel Type	Closed

### Mechanical Attachment

Mating Retention Type	Dimple
Wire Insulation Support	With



### Dimensions

Accepts Wire Insulation Diameter Range	4.32 mm[.17 in]
Receptacle Terminal Stock Thickness	.46 mm[.018 in]
Overall Length	22.9 mm[.9 in]
Wire Size	2050 – 5180 CMA

### Usage Conditions

Insulation Option	Partially Insulated
Operating Temperature Range	105 °C[221 °F]

### Industry Standards

RU (UL Component Program)	Approved
CSA Certified	Yes

### Packaging Features

Packaging Quantity	3500
Packaging Method	Reel

### Other

Barrel Color	Blue
--------------	------

## Product Compliance

[For compliance documentation, visit the product page on TE.com>](#)

EU RoHS Directive 2011/65/EU	Compliant
EU ELV Directive 2000/53/EC	Compliant
China RoHS 2 Directive MIIT Order No 32, 2016	No Restricted Materials Above Threshold
EU REACH Regulation (EC) No. 1907/2006	Current ECHA Candidate List: JUNE 2022 (224) Candidate List Declared Against: JUNE 2022 (224) Does not contain REACH SVHC
Halogen Content	Low Halogen - Br, Cl, F, I < 900 ppm per homogenous material. Also BFR/CFR/PVC Free
Solder Process Capability	Not applicable for solder process capability

#### Product Compliance Disclaimer

This information is provided based on reasonable inquiry of our suppliers and represents our current actual knowledge based on the information they provided. This information is subject to change. The part numbers that TE has identified as EU RoHS compliant have a maximum concentration of 0.1% by weight in homogenous materials for lead, hexavalent chromium, mercury, PBB, PBDE, DBP, BBP, DEHP, DIBP, and 0.01% for cadmium, or qualify for an exemption to these

limits as defined in the Annexes of Directive 2011/65/EU (RoHS2). Finished electrical and electronic equipment products will be CE marked as required by Directive 2011/65/EU. Components may not be CE marked. Additionally, the part numbers that TE has identified as EU ELV compliant have a maximum concentration of 0.1% by weight in homogenous materials for lead, hexavalent chromium, and mercury, and 0.01% for cadmium, or qualify for an exemption to these limits as defined in the Annexes of Directive 2000/53/EC (ELV). Regarding the REACH Regulation, the information TE provides on SVHC in articles for this part number is based on the latest European Chemicals Agency (ECHA) 'Guidance on requirements for substances in articles' posted at this URL: <https://echa.europa.eu/guidance-documents/guidance-on-reach>

## Compatible Parts



TE Part # 58433-3  
PRO CR ASSY, RBY IS9252



TE Part # 58423-1  
DIE, RBY IS9252



TE Part # 47387-7  
DAHT PG PIDG 16-12 ASSY




TE Part # 90009-8  
DAHT PIDG FASTON 16-14 ASSY

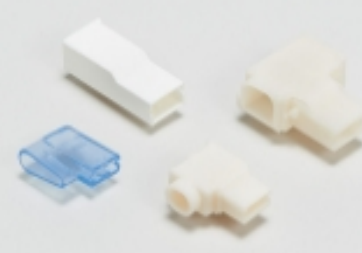


TE Part # 1SET191001R0000  
CRIMP-HT


## Also in the Series | FASTON 250




Compression Connectors(4)




Crimp Terminal Housings(143)




Insertion & Extraction Tools(6)



Magnet Wire Terminals(1)



PCB Terminals(144)



Quick Disconnects(456)



Splices(4)

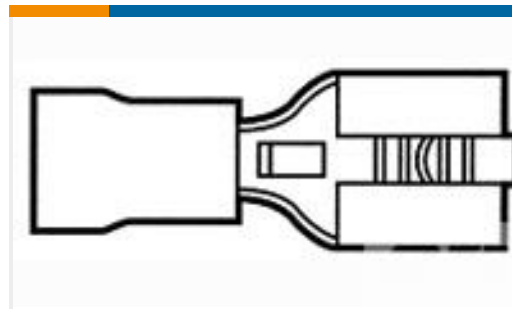
## Customers Also Bought



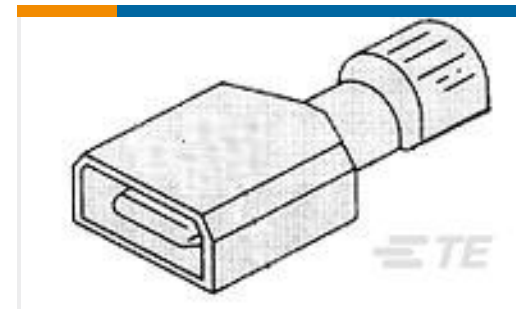
TE Part #2-320863-2  
TERMINAL,PIDG SPD FLG 16-14 10



TE Part #2-32060-1  
TERMINAL,PIDG SPD 16-14 10



TE Part #42844-3  
RECEPT,PIDG FASTON 14-12 250



TE Part #3-521057-2  
ULTRAFAST 250 ASSY TAB 16-14  
AWG TPBR



TE Part #53242-1  
PG SPR SPD 22-16COM22-18MIL 10



TE Part #52955-3  
TERMINAL,PG SPR SPD 16-14 6



TE Part #640919-2  
RECEPT,PIDG FASTON 16-14 187



TE Part #1-1703082-1  
3POS MT - EDGE HOUSING



TE Part #1-640389-4  
14P MTA156 HDR ASSY SQ R/A F/L

## Documents

### Product Drawings

[RECEPT,PIDG FASTON 16-14 250](#)

English

### CAD Files

[3D PDF](#)

English

**Customer View Model**

[ENG\\_CVM\\_640905-2\\_N1.2d\\_dxf.zip](#)

English

**Customer View Model**

[ENG\\_CVM\\_640905-2\\_N1.3d\\_igs.zip](#)

English

**Customer View Model**

[ENG\\_CVM\\_640905-2\\_N1.3d\\_stp.zip](#)

English

[3D PDF](#)

3D



### Customer View Model

[ENG\\_CVM\\_CVM\\_640905-2\\_N.2d\\_dxf.zip](#)

English

### Customer View Model

[ENG\\_CVM\\_CVM\\_640905-2\\_N.3d\\_igs.zip](#)

English

### Customer View Model

[ENG\\_CVM\\_CVM\\_640905-2\\_N.3d\\_stp.zip](#)

English

By downloading the CAD file I accept and agree to the [Terms and Conditions](#) of use.

---

### Datasheets & Catalog Pages

[PIDG\\_FASTON](#)

English

[Ultra-Fast and Ultra Fast Plus](#)

English

---

### Product Specifications

[Application Specification](#)

English

---

### Product Environmental Compliance

[MD\\_640905-2\\_10312017952\\_dmtec](#)

English

[MD\\_640905-2\\_10312017952\\_dmtec](#)

English

---

### Agency Approvals

[UL Report](#)

English