

60793-1 ✓ ACTIVE

SHUR-PLUG 180

TE Internal #: 60793-1

Crimp Wire Pins, Tabs & Ferrules, Shur-Plug, Pin Diameter 4.57 mm [.18 in], 18 – 14 AWG Wire Size, .8 – 2 mm² Wire Size, SHUR-PLUG 180

[View on TE.com >](#)



Terminals & Splices > Crimp Wire Pins, Tabs & Ferrules



Crimp Wire Pin, Tab & Ferrule Terminal Type: **Shur-Plug**

Pin Diameter: **4.57 mm [.18 in]**

Accepts Wire Insulation Diameter Range: **2.29 – 3.17 mm, 3.17 mm [.09 – .125 in, .125 in]**

Wire Size: **.8 – 2 mm²**

Features

Product Type Features

Compatible With Discrete Wire Type	Solid, Stranded
------------------------------------	-----------------

Configuration Features

Compatible With Wire & Cable Type	Discrete Wire
-----------------------------------	---------------

Contact Features

Crimp Wire Pin, Tab & Ferrule Terminal Type	Shur-Plug
---	-----------

Barrel Type	Open
-------------	------

Terminal Plating Material	Tin
---------------------------	-----

Terminal Orientation	Straight
----------------------	----------

Mechanical Attachment

Wire Insulation Support	With
-------------------------	------

Dimensions

Pin Diameter	4.57 mm [.18 in]
--------------	------------------

Accepts Wire Insulation Diameter Range	2.29 – 3.17 mm, 3.17 mm [.09 – .125 in][.125 in]
--	--



Wire Size	1624 – 4106 CMA
Barrel Inside Diameter	1.65 mm, 2.66 mm [.065 in][.105 in]
Terminal Material Thickness	.45 mm [.018 in]
Overall Product Length	18.92 mm [.745 in]

Usage Conditions

Insulation Option	Uninsulated
Operating Temperature Range	-40 – 85 °C [-40 – 185 °F]

Operation/Application

Heavy Duty	No
------------	----

Packaging Features

Packaging Quantity	12000
Packaging Method	Reel

Other

Comment	Can be molded.
---------	----------------

Product Compliance

[For compliance documentation, visit the product page on TE.com>](#)

EU RoHS Directive 2011/65/EU	Compliant
EU ELV Directive 2000/53/EC	Compliant
China RoHS 2 Directive MIIT Order No 32, 2016	No Restricted Materials Above Threshold
EU REACH Regulation (EC) No. 1907/2006	Current ECHA Candidate List: JUNE 2022 (224) Candidate List Declared Against: JAN 2022 (223) SVHC > Threshold: Not Yet Reviewed
Halogen Content	Low Halogen - Br, Cl, F, I < 900 ppm per homogenous material. Also BFR/CFR/PVC Free
Solder Process Capability	Not applicable for solder process capability

Product Compliance Disclaimer

This information is provided based on reasonable inquiry of our suppliers and represents our current actual knowledge based on the information they provided. This information is subject to change. The part numbers that TE has identified as EU RoHS compliant have a maximum concentration of 0.1% by weight in homogenous materials for lead, hexavalent chromium, mercury, PBB, PBDE, DBP, BBP, DEHP, DIBP, and 0.01% for cadmium, or qualify for an exemption to these limits as defined in the Annexes of Directive 2011/65/EU (RoHS2). Finished electrical and electronic equipment products will be CE marked as required by Directive 2011/65/EU. Components may not be CE marked. Additionally, the part numbers that TE has identified as EU ELV compliant have a maximum concentration of 0.1% by weight in homogenous

materials for lead, hexavalent chromium, and mercury, and 0.01% for cadmium, or qualify for an exemption to these limits as defined in the Annexes of Directive 2000/53/EC (ELV). Regarding the REACH Regulation, the information TE provides on SVHC in articles for this part number is based on the latest European Chemicals Agency (ECHA) 'Guidance on requirements for substances in articles' posted at this URL: <https://echa.europa.eu/guidance-documents/guidance-on-reach>

Compatible Parts



TE Part # 63830-1
SHUR PLUG 180 18-14 AWG PTPBR



TE Part # 2-2150080-1
OCEAN_2.0_Applicator-E-110F140F



TE Part # 2-2150080-2
OCEAN_2.0_Applicator-E-110F140F



TE Part # 2150080-1
OCEAN_2.0_Applicator-E-110F140F



TE Part # 2150080-2
OCEAN_2.0_Applicator-E-110F140F



TE Part # 7-2150080-1
OCEAN_2.0_Applicator-E-110F140F



TE Part # 7-2150080-2
OCEAN_2.0_Applicator-E-110F140F



TE Part # 7-2150080-7
OCEAN_2.0_SPARE_PART_KIT-110F140F

Also in the Series | SHUR-PLUG 180



Crimp Terminal Housings(6)



Crimp Wire Pins, Tabs & Ferrules(37)



Special Purpose Terminals(1)

Customers Also Bought



TE Part #8-34124-1
TERM,SOLIS R 16-14 1/4



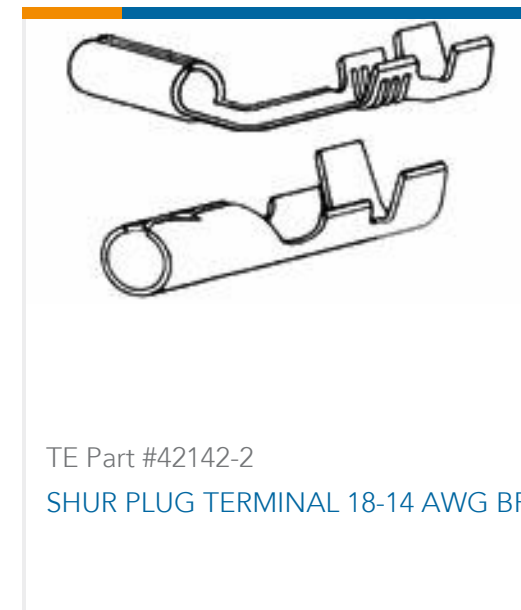
TE Part #60799-5
SHUR PLUG 180 RECEPTACLE 18-14
AWG TPBR



TE Part #60799-2
SHUR PLUG 180 RECEPTACLE 18-14
AWG BR



TE Part #42865-3
SHUR PLUG 180 REVERSE REEL 14-
10AWG TPBR



Documents

Product Drawings

SHUR PLUG .180 18-14 AWG TPBR

English

CAD Files

3D PDF

3D

Customer View Model

[ENG_CVM_CVM_60793-1_AJ.2d_dxf.zip](#)

English

Customer View Model

[ENG_CVM_CVM_60793-1_AJ.3d_igs.zip](#)

English

Customer View Model

[ENG_CVM_CVM_60793-1_AJ.3d_stp.zip](#)

English

By downloading the CAD file I accept and agree to the [Terms and Conditions](#) of use.

Product Specifications

Application Specification

English

Product Environmental Compliance

[MD_60793-1_0226201875_dmtec](#)

English

[MD_60793-1_0226201875_dmtec](#)

English

60793-1

Crimp Wire Pins, Tabs & Ferrules, Shur-Plug, Pin Diameter 4.57 mm [.18 in], 18 – 14 AWG Wire Size, .8 – 2 mm² Wire Size, SHUR-PLUG 180

