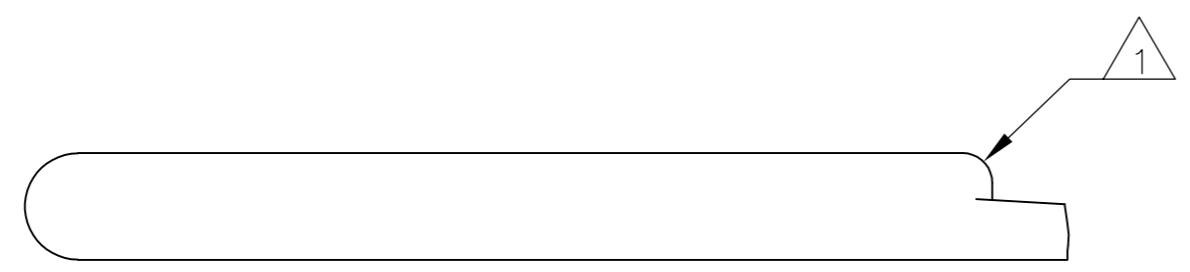
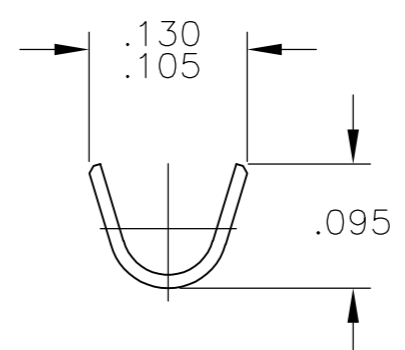
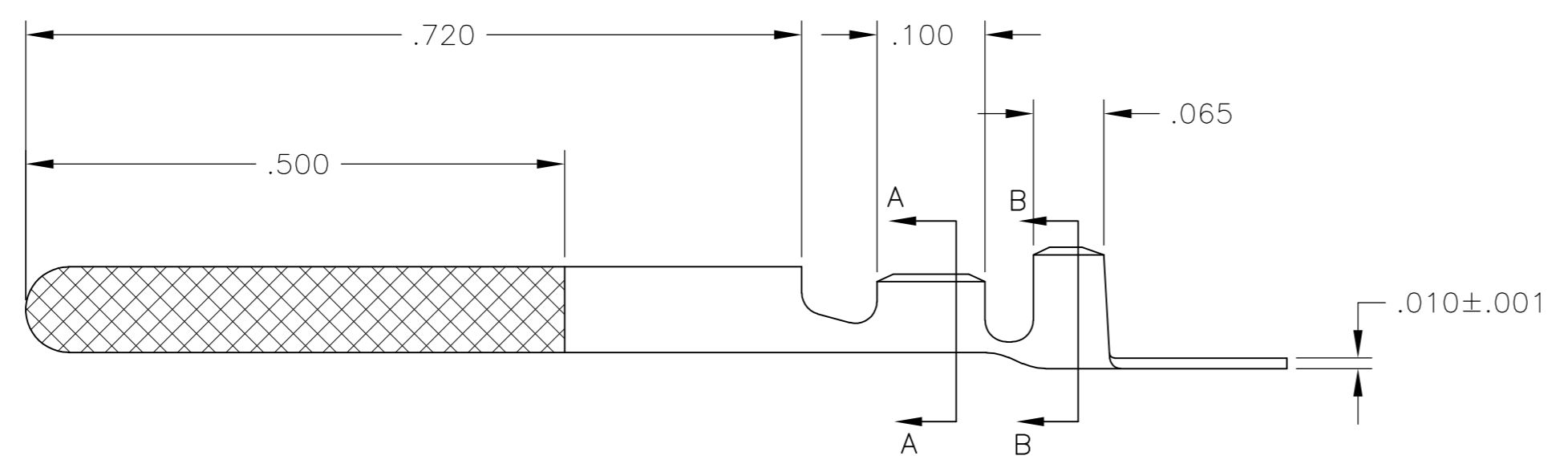
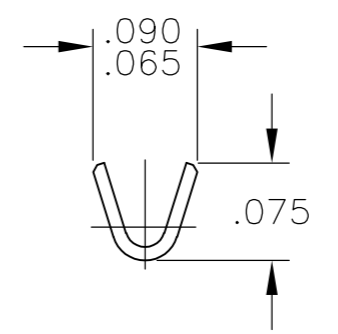
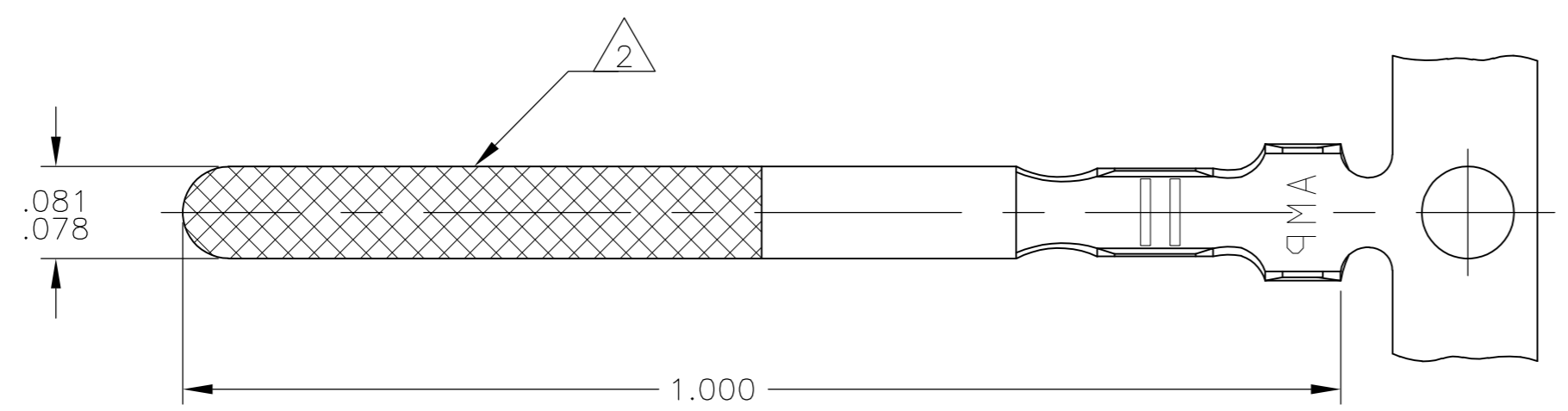


THIS DRAWING IS UNPUBLISHED. RELEASED FOR PUBLICATION
 © COPYRIGHT BY TYCO ELECTRONICS CORPORATION. ALL INTERNATIONAL RIGHTS RESERVED.

LOC	DIST	REVISIONS			
P	LTR	DESCRIPTION	DATE	DWN	APVD
AF	50	K1	REDRAWN PER ECR-08-032847	09FEB09	HMR JR

- 1 CRIMP DONE IN APPLICATOR
- 2 GOLD ON AREA MARKED .000015 - .000020 THK. WITH NICKEL OVER ENTIRE PART .000080 THK.



REVERSE REELED	FINISH	WIRE AWG	INSULATION RANGE	PART NO
1	GOLD/NICKEL	24-20	.043-.073	62358-5
1	BRIGHT TIN/LEAD OVER NICKEL	24-20	.043-.073	62358-4
1	TIN	24-20	.043-.073	62358-1
	FINISH	WIRE AWG	INSULATION RANGE	PART NO

THIS DRAWING IS A CONTROLLED DOCUMENT.		DWN RAGHAVENDRA 09FEB09	Tyco Electronics Corporation Harrisburg, PA 17105-3608	
DIMENSIONS: INCHES		CHK JEFF RUTH 09FEB09	NAME	
TOLERANCES UNLESS OTHERWISE SPECIFIED:		APVD DON DECKER 09FEB09	PIN .080 DIAMETER	
0 PLC ± -		PRODUCT SPEC	SIZE CAGE CODE DRAWING NO RESTRICTED TO	
1 PLC ± -		APPLICATION SPEC	A2 00779 C=62358	
2 PLC ± -		WEIGHT	SCALE 7:1 SHEET 1 OF 1 REV K1	
3 PLC ± .015		CUSTOMER DRAWING		
4 PLC ± -				
ANGLES ± 1°				
MATERIAL BRASS	FINISH SEE TABLE			

62358