

DCS-1

2.8 mm female terminals (power version)

Features

- DCS-1 technology
- Long auxiliary steel spring in CrNi
- 5 mm pitch for unsealed application
- 6 mm pitch for sealed application with single wire seal
- Crimp code on terminal



Performance characteristics*

- Contact resistance: < 3 mΩ
- Contact mating force: < 10 N
- Contact unmating force: < 7 N
- Current carrying capacity with 2.5 mm² wire:

at 23°C up to approx.:	28 A
at 85°C up to approx.:	17 A
at 100°C up to approx.:	14 A

* Mated with 2.8 x 0.8 mm DCS-1 male terminals (Sn)

Packing

- No. of terminals per reel: Consult us
- No. of reels per packing: Consult us

Tooling

- Manual crimping tool: Consult us
- Mini applicator: Consult us

Part Numbers	Type	Wire size range (in mm ² /AWG)		Insulation Ø (in mm) Max.	Material	Plating
		Min.	Max.			
6 001 05 11	Female	0.22	0.35	1.30 (FLRY wire)	CuSn/CrNi	Sn
6 001 05 31	Female	0.50	1.00	2.10 (FLRY wire)	CuSn/CrNi	Sn
6 001 05 41	Female	> 1.00	2.50	3.00 (FLRY wire)	CuSn/CrNi	Sn

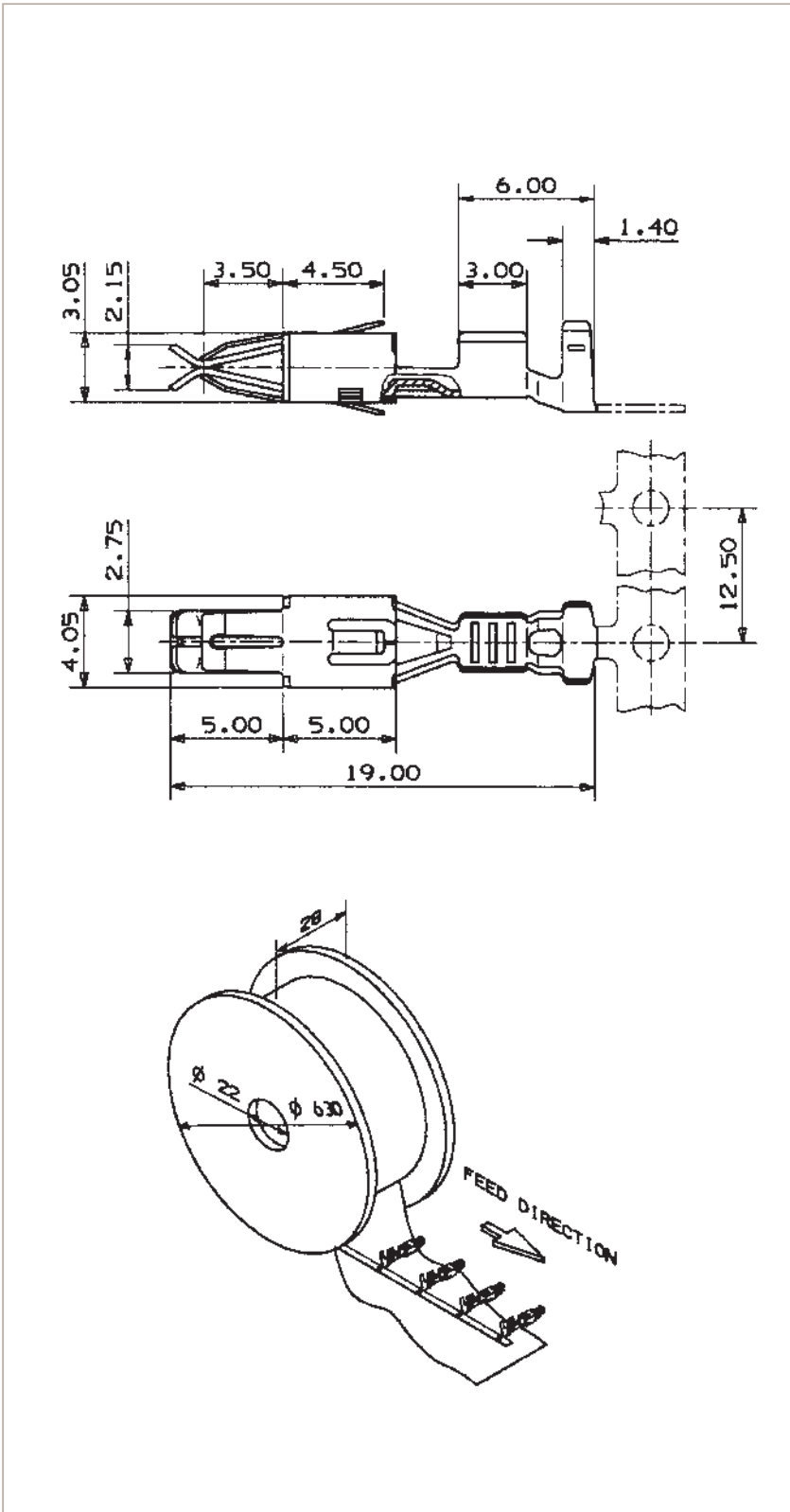


DCS-1

2.8 mm female terminals (power version)

Dimensional characteristics

Notes :



Lined area for notes.