

640715-1 ✓ ACTIVE

MATE-N-LOK | Universal MATE-N-LOK

TE Internal #: 640715-1

Rectangular Boots & Strain Relief, Strain Relief, Nylon, Natural, -55
– 105 °C [-67 – 221 °F], Universal MATE-N-LOK

[View on TE.com >](#)



Connectors > Rectangular Connectors > Rectangular Connector Accessories > Rectangular Boots & Strain Relief



Protection & Strain Relief Accessory Type: **Strain Relief**

Primary Product Material: **Nylon**

Primary Product Color: **Natural**

Operating Temperature Range: **-55 – 105 °C [-67 – 221 °F]**

Features

Product Type Features

Insert Supplied	Yes
Protection & Strain Relief Accessory Type	Strain Relief
Product Type	Accessory

Body Features

Primary Product Material	Nylon
Primary Product Color	Natural

Usage Conditions

Operating Temperature Range	-55 – 105 °C[-67 – 221 °F]
-----------------------------	----------------------------

Packaging Features

Packaging Method	Bag
Packaging Quantity	200

Other

Comment	Must use cap housing adapters when attaching strain reliefs to a cap housing. Two adapters required per housing., Strain relief part number represents one half of a
---------	--

strain relief. Two of a part number are required per connector.

Product Compliance

[For compliance documentation, visit the product page on TE.com>](#)

EU RoHS Directive 2011/65/EU	Compliant
EU ELV Directive 2000/53/EC	Compliant
China RoHS 2 Directive MIIT Order No 32, 2016	No Restricted Materials Above Threshold
EU REACH Regulation (EC) No. 1907/2006	Current ECHA Candidate List: JUNE 2022 (224) Candidate List Declared Against: JAN 2022 (223) SVHC > Threshold: Not Yet Reviewed
Halogen Content	Low Halogen - Br, Cl, F, I < 900 ppm per homogenous material. Also BFR/CFR/PVC Free
Solder Process Capability	Not applicable for solder process capability

Product Compliance Disclaimer

This information is provided based on reasonable inquiry of our suppliers and represents our current actual knowledge based on the information they provided. This information is subject to change. The part numbers that TE has identified as EU RoHS compliant have a maximum concentration of 0.1% by weight in homogenous materials for lead, hexavalent chromium, mercury, PBB, PBDE, DBP, BBP, DEHP, DIBP, and 0.01% for cadmium, or qualify for an exemption to these limits as defined in the Annexes of Directive 2011/65/EU (RoHS2). Finished electrical and electronic equipment products will be CE marked as required by Directive 2011/65/EU. Components may not be CE marked. Additionally, the part numbers that TE has identified as EU ELV compliant have a maximum concentration of 0.1% by weight in homogenous materials for lead, hexavalent chromium, and mercury, and 0.01% for cadmium, or qualify for an exemption to these limits as defined in the Annexes of Directive 2000/53/EC (ELV). Regarding the REACH Regulation, the information TE provides on SVHC in articles for this part number is based on the latest European Chemicals Agency (ECHA) 'Guidance on requirements for substances in articles' posted at this URL: <https://echa.europa.eu/guidance-documents/guidance-on-reach>

Compatible Parts



TE Part # 350431-4
06P UMNL PINHDR ASSY V2 NAT LF



TE Part # 350732-4
06P UMNL PIN HDR ASSY 94VO LF



TE Part # 350732-1
06P UMNL PIN HDR ASSY 94VO



TE Part # 350762-5
06P UMNL HDR ASSY PC LF



TE Part # 350585-1
06P UMNL PIN HDR ASSY V2 NATL



TE Part # 350827-4
06P UMNL HDR ASSY PC 94VO LF



TE Part # 350711-1
06P UMNL PIN HDR ASSY 94VO



TE Part # 350711-4
06P UMNL PIN HDR ASSY 94VO LF



TE Part # 350585-4
06P UMNL PIN HDR ASSY V2 LF



TE Part # 350827-1
06P UMNL HDR ASSY PC 94VO



TE Part # 643424-3
06P UMNL HDR ASSY POL 94VO LF



TE Part # 641970-3
06P UMNL PIN HDR ASSY 94VO LF



TE Part # 350431-1
06P UMNL PIN HDR ASSY V2 NAT



TE Part # 350762-4
06P UMNL HDR ASSY PC



TE Part # 643423-1
06P UMNL HDR ASSY POL



TE Part # 350781-1
06P UMNL CAP HSG



TE Part # 643424-1
06P UMNL HDR ASSY POL 94VO



TE Part # 350715-1
06P UMNL PLUG HSG




TE Part # 1-480705-0
06P UMNL CAP HSG NATL




TE Part # 1-480704-0
06P UMNL PLUG HSG NATL


Also in the Series | **Universal MATE-N-LOK**




Circular Power Connectors(2)



Connector Contacts(11)



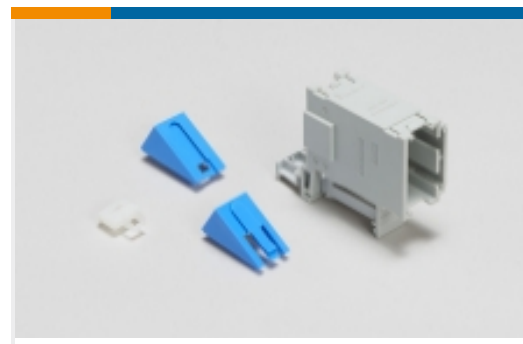
Insertion & Extraction Tools(4)



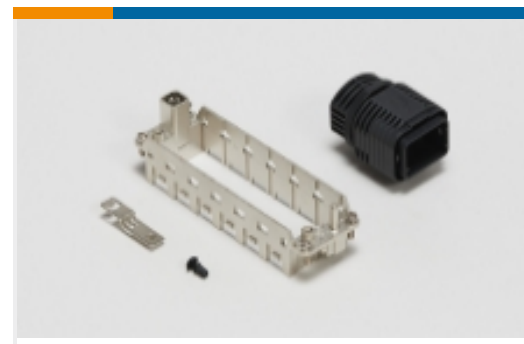
Power Contacts(207)



Rectangular Boots & Strain Relief(35)



Rectangular Connector Adapters(7)



Rectangular Connector Hardware(1)



Rectangular Connector Housings(2)



Rectangular Connector Keying Plugs(3)



Rectangular Connector Locking(4)



Rectangular Connector Seals(26)



Rectangular Power Connectors(729)

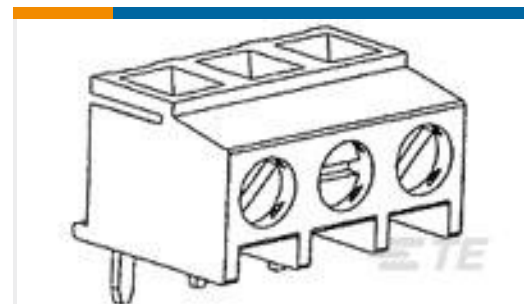
Customers Also Bought



TE Part #350715-1
06P UMNL PLUG HSG



TE Part #350418-1
.093 COMM P&S PIN 18-24 PTPBR



TE Part #1-284093-2
TERMI-BLOK PCB MOUNT 90, 5,0MM



TE Part #2-1879352-4
RR02 5% 3R0 AMMO



TE Part #640713-1
02P UMNL STR/REL & INSERT



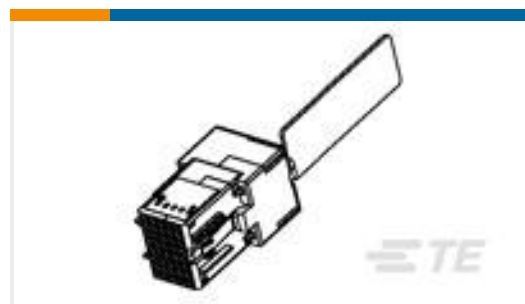
TE Part #640717-1
12P UMNL STR/REL



TE Part #640718-1
15P UMNL STR/REL



TE Part #926681-3
12P UNIV.CAP HSG.



TE Part #1376245-1
AMP-MCC CONN 40P KIT

Documents



Product Drawings

06P UMNL STR/REL

English

CAD Files

3D PDF

3D

Customer View Model

[ENG_CVM_CVM_640715-1_V.2d_dxf.zip](#)

English

Customer View Model

[ENG_CVM_CVM_640715-1_V.3d_igs.zip](#)

English

Customer View Model

[ENG_CVM_CVM_640715-1_V.3d_stp.zip](#)

English

3D PDF

English

Customer View Model

[ENG_CVM_640715-1_C.3d_igs.zip](#)

English

Customer View Model

[ENG_CVM_640715-1_C.3d_stp.zip](#)

English

Customer View Model

[ENG_CVM_640715-1_C.2d_dxf.zip](#)

English

By downloading the CAD file I accept and agree to the [Terms and Conditions](#) of use.

Datasheets & Catalog Pages

SOFT_SHELL_PIN_SOCKET_CONNECTORS_STANDARD_DENSITY

English

Product Environmental Compliance

TE Material Declaration

English

Instruction Sheets

Instruction Sheet (U.S.)

English