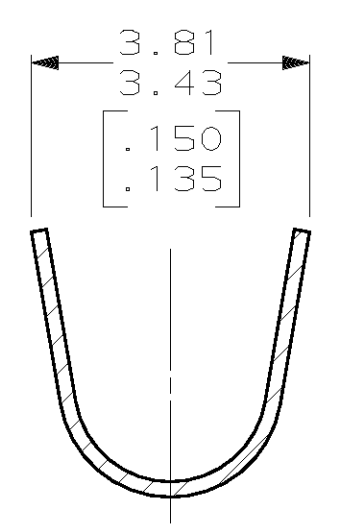
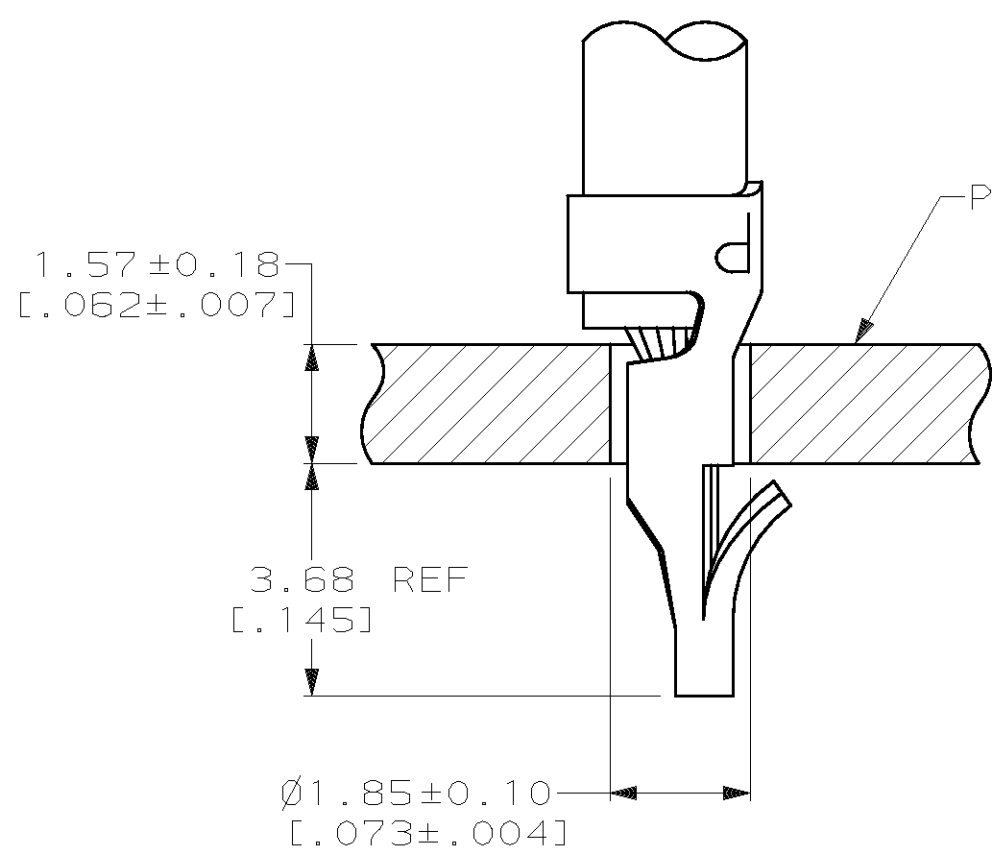
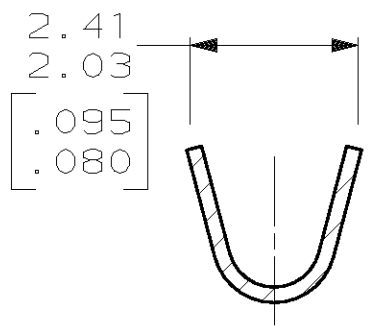


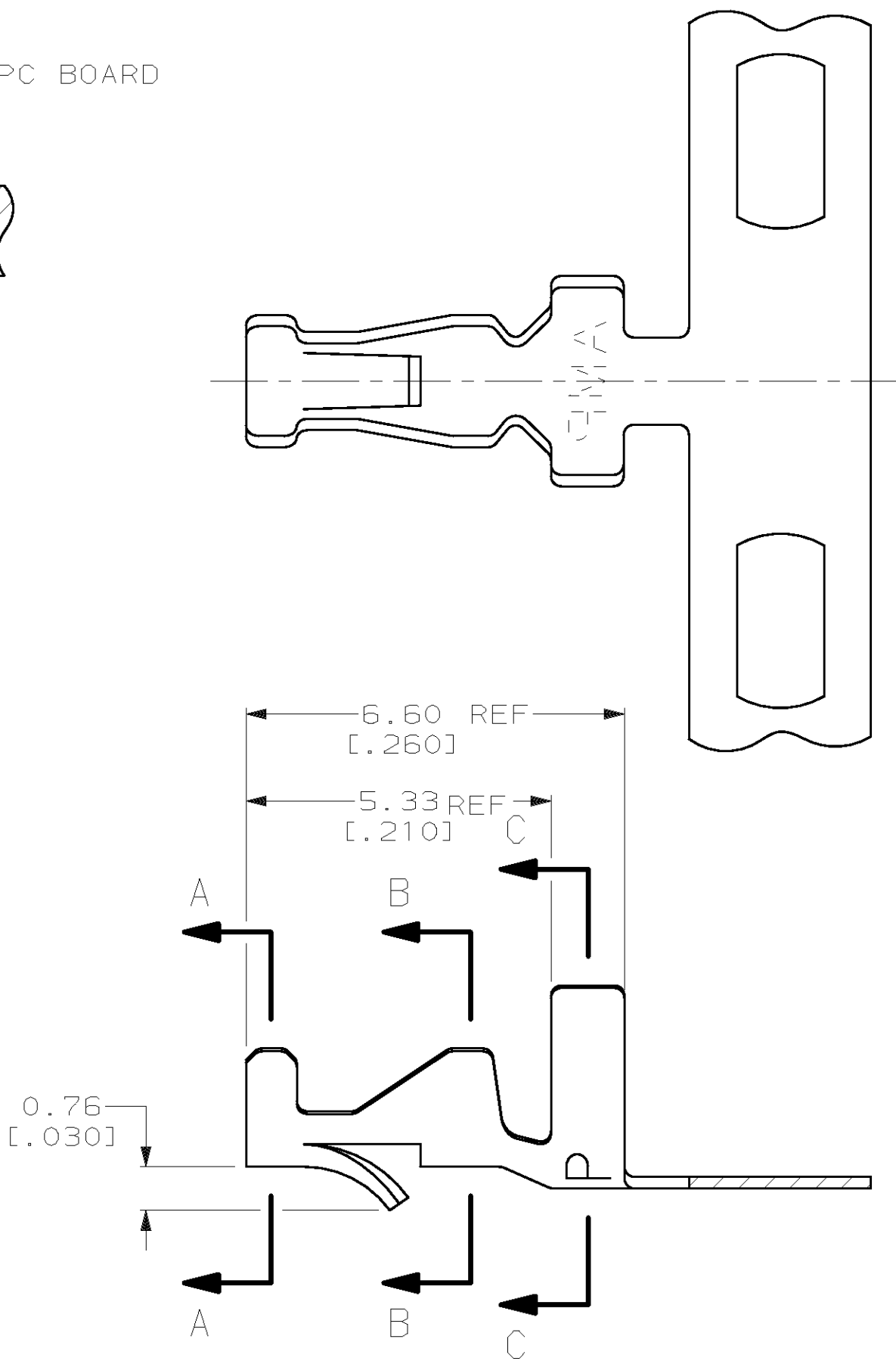
LOC	DIST	P	F	ZONE	LTR	DESCRIPTION	DATE	APPD
CM	52				N	REV PER EC 0G1B-0238-98	07-DEC-98	JH RS



SECTION C-C



SECTION A-A, B-B

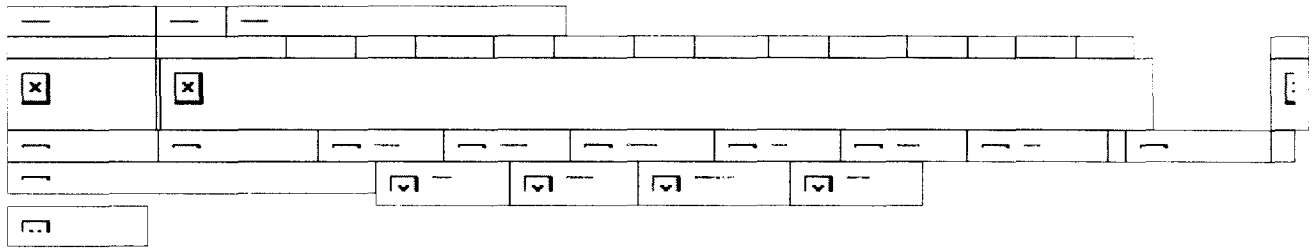


- 1. PARTS COMPLY WITH AMP SOLDERABILITY SPEC 109-11-3.
- 2. 0.00508 [.000200] MIN BRIGHT TIN-LEAD.
- 3. PARTS COMPLY WITH AMP SOLDERABILITY SPEC 109-11-1.
- 4. 0.00305 [.000120] MIN BRIGHT TIN-LEAD OVER 0.00102 [.000040] MIN NICKEL.
- 5. FOR FOREIGN PRODUCTION ONLY.
- 6. CARRIER STRIP TO HAVE 1.52 [.060] DIA PILOT HOLE.
- 7. 0.00305 [.000120] MIN MATTE TIN-LEAD OVER 0.00102 [.000040] MIN NICKEL.
- 8. WIRE RANGE: 0.3 - 0.9 mm<sup>2</sup> (22 - 18 AWG).
- 9. INSULATION RANGE: 1.52 - 2.79 [.060 - .110] DIA.
- 10. DIMENSIONS IN BRACKETS ARE IN INCHES.

NOTES	FINISH	MATERIAL	PART NO	
3, 5, 6	7	0.20 [.008] BRASS	640311-5	
3, 5	4	0.20 [.008] BRASS	640311-3	
1	2	0.20 [.008] PH BRZ	640311-1	
DO NOT SCALE PRINT. UNLESS SPECIFIED DIMENSIONS IN mm [INCHES] TOLERANCES ON: 2 PLC DEC ± 0.13 [.005] 3 PLC DEC ± - ANGLES ± - MATERIAL	DR 12-4-92 T. BECK CHK 12-4-92 R. SWING APPD 1-18-93 W. LONG APPD 1-18-93 W. LONG PRODUCT SPEC -	AMP Incorporated Harrisburg, PA 17105-3608  NAME  MINI AMP-IN™		
SEE TABLE	APPLICATION SPEC -			
FINISH	WEIGHT -	SIZE C	CAGE CODE 00779	DRAWING NO C=640311
SEE TABLE		SCALE 10:1	SHEET 1 OF 1	

**METRIC**

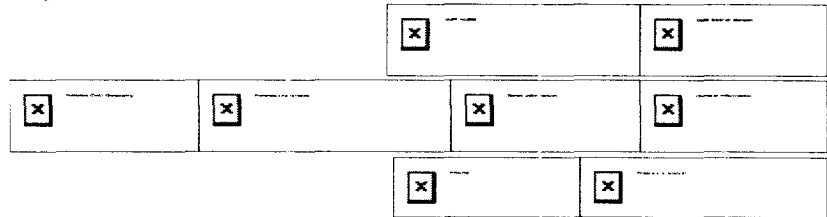
THIS DRAWING IS A CONTROLLED DOCUMENT FOR AMP INCORPORATED. IT IS SUBJECT TO CHANGE AND THE CONTROLLING ENGINEERING ORGANIZATION SHOULD BE CONTACTED FOR THE LATEST REVISION.



- Part Number Search
- Alphabetical Search
- Product Type Search
- Product Family Search
- Picture Search
- Industry Product Search
- Competitor Cross Reference
- Document Number Search
- [Help/Glossary](#)

## Printed Circuit Board Terminals and Disconnects Miniature/Standard AMP-IN Terminals

640311-1 -- 1 of 1 products  Active



Please use the customer drawing for all design activity.

■ Customer Drawing: 640311, Rev. N

Document Title: MINI AMP-IN

[192850.pdf \(52K\)](#)

### Searchable Features:

<b>Terminal Type:</b>	Miniature
<b>Wire Range (mm [AWG]):</b>	0.40-0.80 <sup>2</sup> [22-18]
<b>Insulation Diameter (mm [in]):</b>	1.52-2.79 [.060-.110]
<b>PCB Hole Dia. (mm [in]):</b>	1.85 [.073]
<b>Extension Below Board (mm [in]):</b>	3.68 [.145]

### Other Properties:

<b>Material:</b>	Phosphor Bronze
<b>Plating:</b>	Pre-Tin
<b>PCB Thickness (mm [in]):</b>	1.57 [.062]
<b>Packaging Method:</b>	Strip Form
<b>AMP Proprietary Name:</b>	Mini AMP-IN
<b>Comment:</b>	Machine applied applicator required. Higher tensile available with nose crimp. Not available in loose piece. No hand tools available.

