

61173-1 ✓ ACTIVE

MATE-N-LOK | Commercial MATE-N-LOK

TE Internal #: 61173-1

Power Contacts, Contact, 250 VAC, Pre-Tin, 30 – 22 AWG Wire Size,
.05 – .33 mm² Wire Size, Wire-to-Wire, Wire & Cable, Crimp,
Commercial MATE-N-LOK

[View on TE.com >](#)



Connectors > Power Connectors > Power Contacts



Power Contact Type: **Contact**

Operating Voltage: **250 VAC**

Contact Mating Area Plating Material: **Pre-Tin**

Wire Size: **.05 – .33 mm²**

Features

Product Type Features

Power Contact Type	Contact
Connector System	Wire-to-Wire
Connector & Contact Terminates To	Wire & Cable

Electrical Characteristics

Test Current	3 A
Operating Voltage	250 VAC
Insulation Resistance	500

Contact Features

Contact Shape & Form	Round
Contact Mating Area Plating Material	Pre-Tin
Contact Current Rating (Max)	15 A
Contact Type	Socket
Contact Retention Within Housing	With
Mating Pin Diameter	2.01 mm[.079 in]
Contact Base Material	Brass



Wire Contact Termination Area Plating Thickness	.508 – .812 μm[20 – 32 μin]
Wire Contact Termination Area Plating Material	Tin
Wire Contact Termination Area Plating Material Finish	Bright
Contact Orientation	Straight
Barrel Type	Open Barrel

Termination Features

Termination Method to Wire & Cable	Crimp
------------------------------------	-------

Mechanical Attachment

Contact Retention Type Within Housing	Locking Lance
Connector Mounting Type	Cable Mount (Free-Hanging)
Wire Insulation Support	Without

Dimensions

Wire Size	.05 – .33 mm ²
Accepts Wire Insulation Diameter Range	1.02 – 1.91 mm[.04 – .075 in]
Overall Length	18.3 mm[.72 in]

Usage Conditions

Operating Temperature Range	-55 – 105 °C[-67 – 221 °F]
-----------------------------	----------------------------

Operation/Application

Circuit Application	Power
---------------------	-------

Industry Standards

CSA Rating	Certified
Glow Wire Rating	Standard Part - Not Glow Wire
Agency/Standard	CSA, UL
UL Rating	Recognized
UL Flammability Rating	UL 94V-2
VDE Tested	No
CSA File Number	LR 7189A
CSA Certified	Yes
UL File Number	E28476

Packaging Features

Packaging Method	Bag
Packaging Quantity	1000

Other

Wire Type	Stranded
For Use With	Commercial MATE-N-LOK housings
Wire/Cable Type	Discrete Wire

Product Compliance

[For compliance documentation, visit the product page on TE.com>](#)

EU RoHS Directive 2011/65/EU	Compliant
EU ELV Directive 2000/53/EC	Compliant
China RoHS 2 Directive MIIT Order No 32, 2016	No Restricted Materials Above Threshold
EU REACH Regulation (EC) No. 1907/2006	Current ECHA Candidate List: JUNE 2022 (224) Candidate List Declared Against: JUNE 2022 (224) Does not contain REACH SVHC
Halogen Content	Low Halogen - Br, Cl, F, I < 900 ppm per homogenous material. Also BFR/CFR/PVC Free
Solder Process Capability	Not applicable for solder process capability

Product Compliance Disclaimer

This information is provided based on reasonable inquiry of our suppliers and represents our current actual knowledge based on the information they provided. This information is subject to change. The part numbers that TE has identified as EU RoHS compliant have a maximum concentration of 0.1% by weight in homogenous materials for lead, hexavalent chromium, mercury, PBB, PBDE, DBP, BBP, DEHP, DIBP, and 0.01% for cadmium, or qualify for an exemption to these limits as defined in the Annexes of Directive 2011/65/EU (RoHS2). Finished electrical and electronic equipment products will be CE marked as required by Directive 2011/65/EU. Components may not be CE marked. Additionally, the part numbers that TE has identified as EU ELV compliant have a maximum concentration of 0.1% by weight in homogenous materials for lead, hexavalent chromium, and mercury, and 0.01% for cadmium, or qualify for an exemption to these limits as defined in the Annexes of Directive 2000/53/EC (ELV). Regarding the REACH Regulation, the information TE provides on SVHC in articles for this part number is based on the latest European Chemicals Agency (ECHA) 'Guidance on requirements for substances in articles' posted at this URL: <https://echa.europa.eu/guidance-documents/guidance-on-reach>

Compatible Parts

 <p>TE Part # 91515-1 CCII TYPE III+ MNL PIN SKT 30-20 ASSY</p>	 <p>TE Part # 465644-1 EXTRACTION TOOL</p>	 <p>TE Part # 455830-1 INSERTION TOOL</p>	 <p>TE Part # 1-171196-0 6 POS MATE-N-LOK S</p>
--	--	--	--



TE Part # 1-480274-0
09P CMNL PLUG HSG P/M NATL



TE Part # 1-480284-0
08P CMNL CAP HSG M/M NATL



TE Part # 1-480438-0
16P CMNL PLUG HSG M/M NATL



TE Part # 1-480683-0
02P CMNL PLUG HSG F/H NATL



TE Part # 1-480277-0
09P CMNL CAP HSG P/M NATL



TE Part # 1-480304-0
03P CMNL PLUG HSG P/M NATL



TE Part # 1-480722-0
04P CMNL PLUG HSG W/LCK NATL



TE Part # 1-480276-0
06P CMNL CAP HSG P/M NATL



TE Part # 1-480285-0
10P CMNL PLUG HSG M/M NATL



TE Part # 1-480439-0
16P CMNL CAP HSG M/M NATL



TE Part # 1-480393-1
02P CMNL PLUG HSG F/H BLK



TE Part # 1-480345-0
08P CMNL CAP HSG F/H NATL



TE Part # 1-480340-0
06P CMNL CAP HSG F/H NATL



TE Part # 1-480278-0
12P CMNL CAP HSG P/M NATL




TE Part # 1-480425-0
04P CMNL PLUG HSG P/M NATL



TE Part # 1-480324-0
15P CMNL CAP HSG P/M NATL


Also in the Series | Commercial MATE-N-LOK




Connector Contacts(26)



Crimp Wire Pins, Tabs & Ferrules(3)



Insertion & Extraction Tools(5)



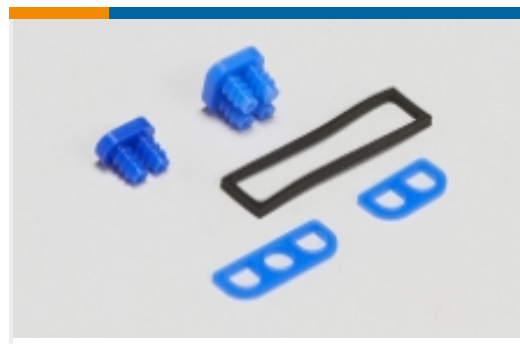
Power Contacts(129)



Rectangular Caps & Covers(2)



Rectangular Connector Housings(17)



Rectangular Connector Seals(1)



Rectangular Power Connectors(170)



Standard Circular Connectors(4)



Standard Rectangular Connectors(10)

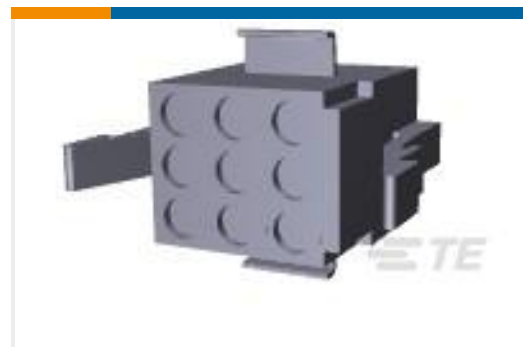


Wire-to-Board Connector Contacts(1)

Customers Also Bought



TE Part #1-2141324-1
6POS, MCON 1.2 LL TAB SEALED
COD A



TE Part #1-480274-0
09P CMNL PLUG HSG P/M NATL



TE Part #1-480277-0
09P CMNL CAP HSG P/M NATL



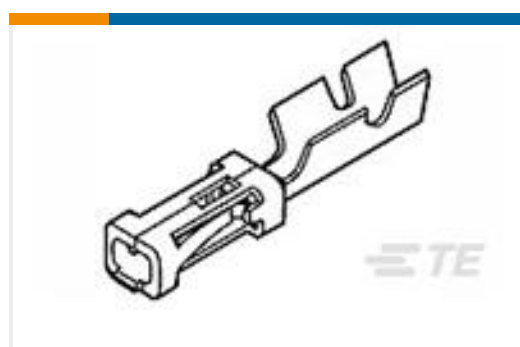
TE Part #41729
250 FASTON REC 18-16 AWG TPBR



TE Part #1586515-2
04P CMNL HDR ASSY PC UL94 LF



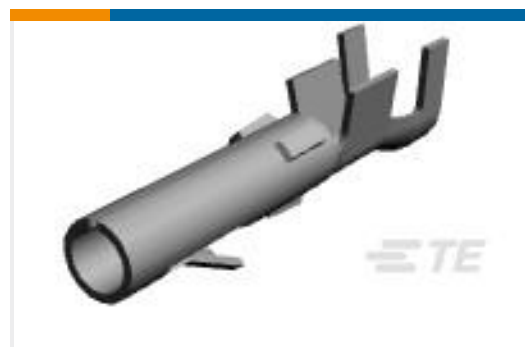
TE Part #1-480424-0
04P CMNL PLUG HSG F/H NATL



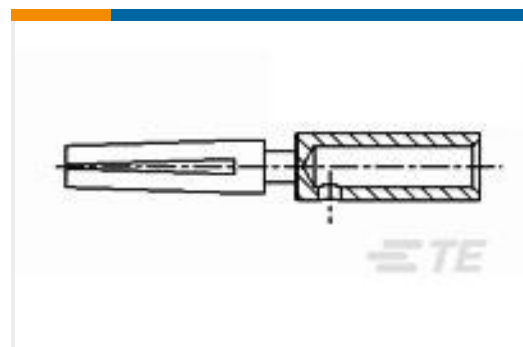
TE Part #87309-9
MOD V RECP PLTD 30 AU



TE Part #2-1437667-5
4DB-P108-03=4DB ASSEMBLY



TE Part #61117-7
CMNL SOK 20-14 AUBR



TE Part #5-1437720-6
T01-CRIMP-S03

Documents



Product Drawings

CMNL SOK 30-22 PTBR L/P

English

CAD Files

Customer View Model

[ENG_CVM_61173-1_E.3d_igs.zip](#)

English

Customer View Model

[ENG_CVM_61173-1_E.3d_stp.zip](#)

English

Customer View Model

[ENG_CVM_61173-1_E.2d_dxf.zip](#)

English

3D PDF

English

3D PDF

3D

Customer View Model

[ENG_CVM_CVM_61173-1_J.2d_dxf.zip](#)

English

Customer View Model

[ENG_CVM_CVM_61173-1_J.3d_igs.zip](#)

English

Customer View Model

[ENG_CVM_CVM_61173-1_J.3d_stp.zip](#)

English

By downloading the CAD file I accept and agree to the [Terms and Conditions](#) of use.

Datasheets & Catalog Pages

SOFT_SHELL_PIN_SOCKET_CONNECTORS_STANDARD_DENSITY

English

Product Specifications

Application Specification

English

Product Environmental Compliance

[MD_61173-1_0801201623_dmtec](#)

English

[MD_61173-1_0801201623_dmtec](#)

English

Instruction Sheets

Instruction Sheet (U.S.)

English

61173-1

Power Contacts, Contact, 250 VAC, Pre-Tin, 30 – 22 AWG Wire Size, .05 – .33 mm²
Wire Size, Wire-to-Wire, Wire & Cable, Crimp, Commercial MATE-N-LOK

