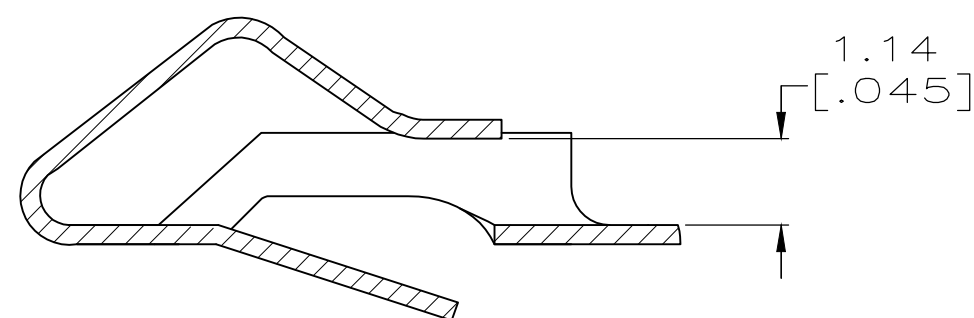
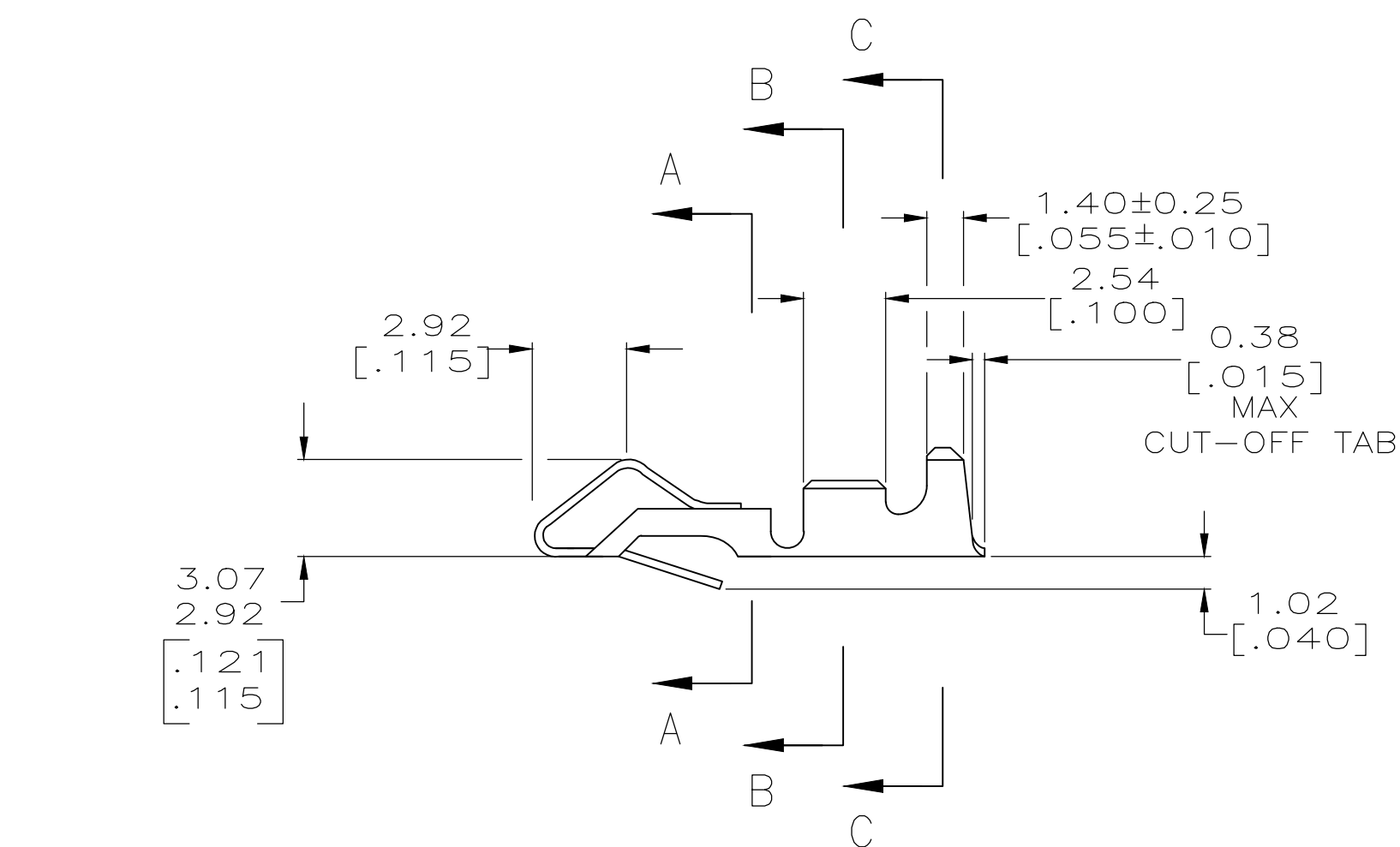
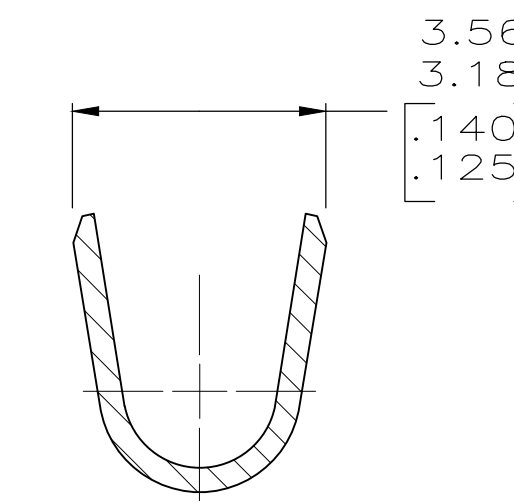
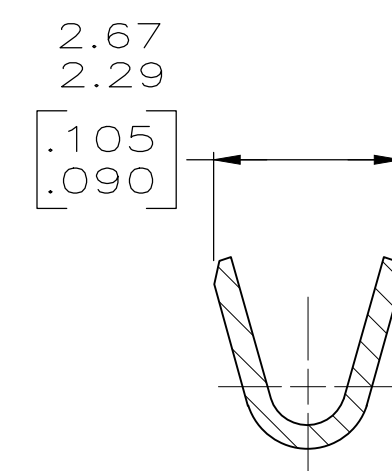
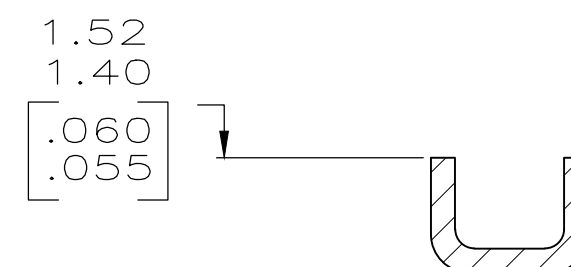
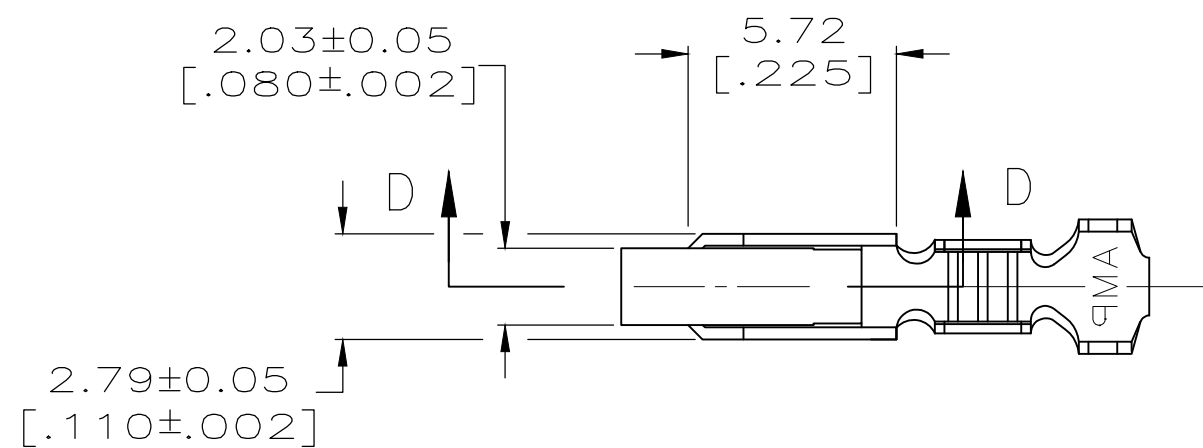


THIS DRAWING IS UNPUBLISHED. RELEASED FOR PUBLICATION
 © COPYRIGHT - By - ALL RIGHTS RESERVED.

REVISIONS				
P	LTR	DESCRIPTION	DATE	APVD
E1		REVISED PER ECO-11-004820	11MAR11	RK HMR

- ① 0.00203 [.000080] MIN BRIGHT TIN-LEAD OVER
0.00127 [.000050] MIN NICKEL.
- ② 0.00330 [.000130] MAX PRE-TIN.
- 3. WIRE RANGE: 0.2-0.9mm² (24-18 AWG).
INSULATION RANGE: 2.79 [.110] DIA MAX.
- 4. DIMENSIONS IN BRACKETS ARE IN INCHES.
- ⑤ 0.00203 [.000080] MIN BRIGHT TIN OVER
0.00127 [.000050] MIN NICKEL.
- ⑥ OBSOLETE



SECTION D-D
SCALE 10:1

METRIC

⑤	3-640706-1
②	640706-2
①	⑥ 640706-1
FINISH	PART NO

THIS DRAWING IS A CONTROLLED DOCUMENT.		DWN S. CARPENTER 21AUG2003	TE Connectivity Ltd.	
DIMENSIONS: INCHES		CHK J. ELLIS 21AUG2003		
TOLERANCES UNLESS OTHERWISE SPECIFIED:		APVD J. ELLIS 21AUG2003	NAME RECEPTACLE, SL-156, LOOSE PIECE	
		PRODUCT SPEC	SIZE A2	
MATERIAL 0.33 [.013] BRASS		FINISH SEE TABLE	APPLICATION SPEC	CAGE CODE 00779
		WEIGHT 0.000000	DRAWING NO C-640706	RESTRICTED TO -
		CUSTOMER DRAWING	SCALE 5:1	SHEET 1 of 1
			REV E1	