

626897-1 ✓ ACTIVE

AMP | Econoseal J - Mark II

TE Internal #: 626897-1

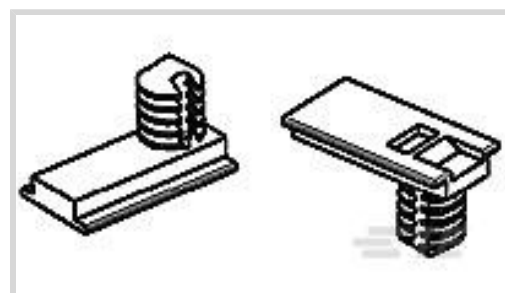
Other Automotive Connector Accessories, Mounting Clips, Wire-to-Wire / Wire-to-Board, PA, Natural, -40 – 120 °C [-40 – 248 °F],

Econoseal J - Mark II

[View on TE.com >](#)



Connectors > Automotive Connectors > Connector Accessories > Other Connector Accessories



Automotive Connector Accessory Type: **Mounting Clips**

Connector System: **Wire-to-Board, Wire-to-Wire**

Primary Product Material: **PA**

Primary Product Color: **Natural**

Operating Temperature Range: **-40 – 120 °C [-40 – 248 °F]**

Features

Product Type Features

Automotive Connector Accessory Type	Mounting Clips
Connector System	Wire-to-Board, Wire-to-Wire

Body Features

Primary Product Material	PA
Primary Product Color	Natural

Usage Conditions

Operating Temperature Range	-40 – 120 °C[-40 – 248 °F]
-----------------------------	----------------------------

Industry Standards

UL Flammability Rating	UL 94HB
------------------------	---------

Packaging Features

Packaging Quantity	8000
Packaging Method	Box

Product Compliance

[For compliance documentation, visit the product page on TE.com>](#)

EU RoHS Directive 2011/65/EU	Compliant
EU ELV Directive 2000/53/EC	Compliant
China RoHS 2 Directive MIIT Order No 32, 2016	No Restricted Materials Above Threshold

EU REACH Regulation (EC) No. 1907/2006

Current ECHA Candidate List: JUNE 2022
(224)Candidate List Declared Against: JAN 2022
(223)SVHC > Threshold:
Not Yet Reviewed

Halogen Content

Low Halogen - Br, Cl, F, I < 900 ppm per
homogenous material. Also BFR/CFR/PVC
Free

Solder Process Capability

Not applicable for solder process capability

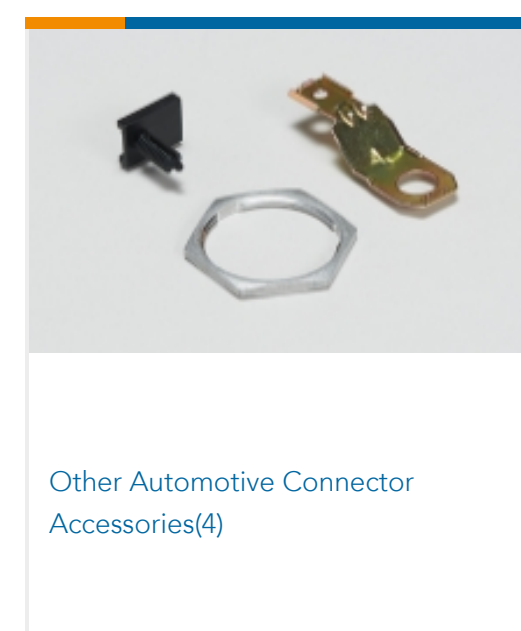
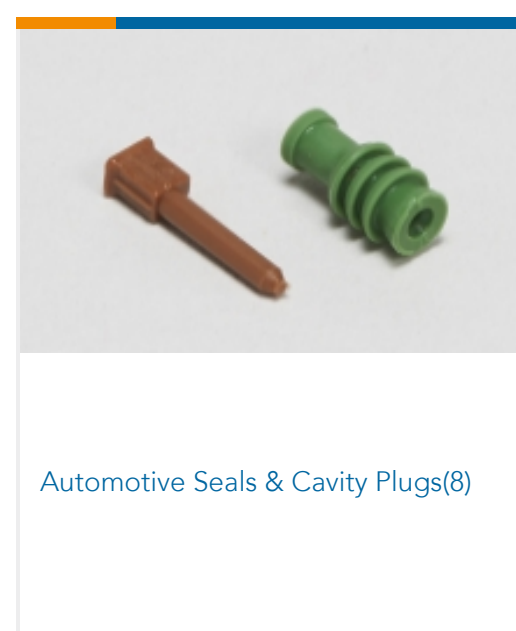
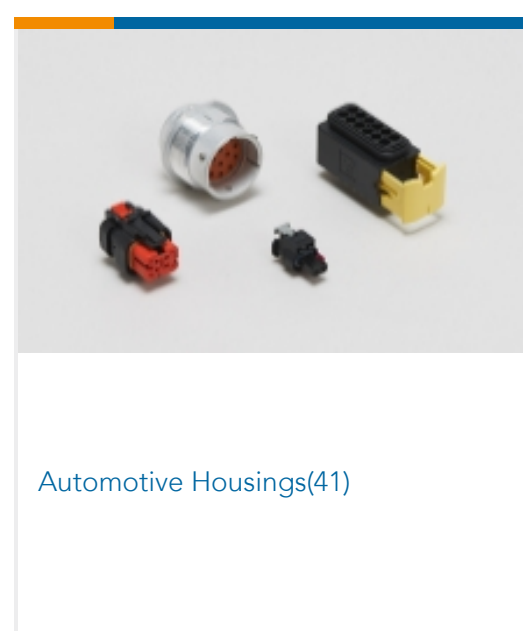
Product Compliance Disclaimer

This information is provided based on reasonable inquiry of our suppliers and represents our current actual knowledge based on the information they provided. This information is subject to change. The part numbers that TE has identified as EU RoHS compliant have a maximum concentration of 0.1% by weight in homogenous materials for lead, hexavalent chromium, mercury, PBB, PBDE, DBP, BBP, DEHP, DIBP, and 0.01% for cadmium, or qualify for an exemption to these limits as defined in the Annexes of Directive 2011/65/EU (RoHS2). Finished electrical and electronic equipment products will be CE marked as required by Directive 2011/65/EU. Components may not be CE marked. Additionally, the part numbers that TE has identified as EU ELV compliant have a maximum concentration of 0.1% by weight in homogenous materials for lead, hexavalent chromium, and mercury, and 0.01% for cadmium, or qualify for an exemption to these limits as defined in the Annexes of Directive 2000/53/EC (ELV). Regarding the REACH Regulation, the information TE provides on SVHC in articles for this part number is based on the latest European Chemicals Agency (ECHA) 'Guidance on requirements for substances in articles' posted at this URL: <https://echa.europa.eu/guidance-documents/guidance-on-reach>

Compatible Parts



Also in the Series | Econoseal J - Mark II



Customers Also Bought



TE Part #174966-2
MULTILOCK, CONNECTOR HOUSING



TE Part #350558-1
MNL PIN SPECIAL .0126 PTPBR



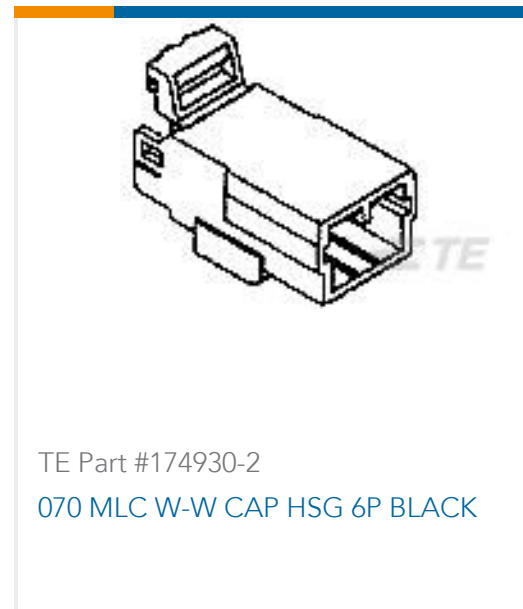
TE Part #2-1703498-1
2POS, MCON 1.2 LL TAB SEALED
COD B



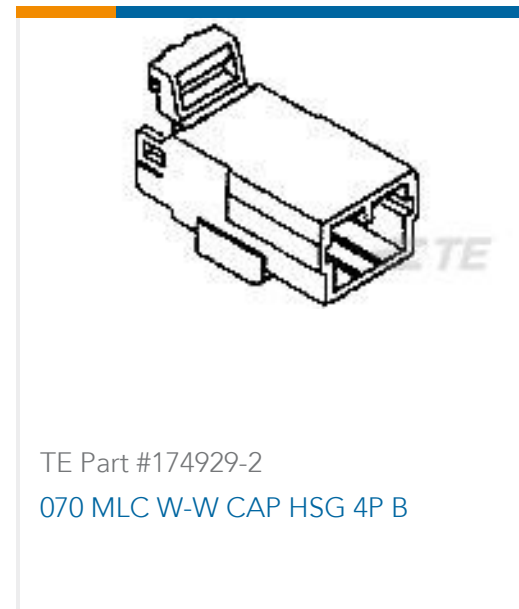
TE Part #776181-1
0.040 MULTILOCK RCPT



TE Part #1670789-1
2. LOCK



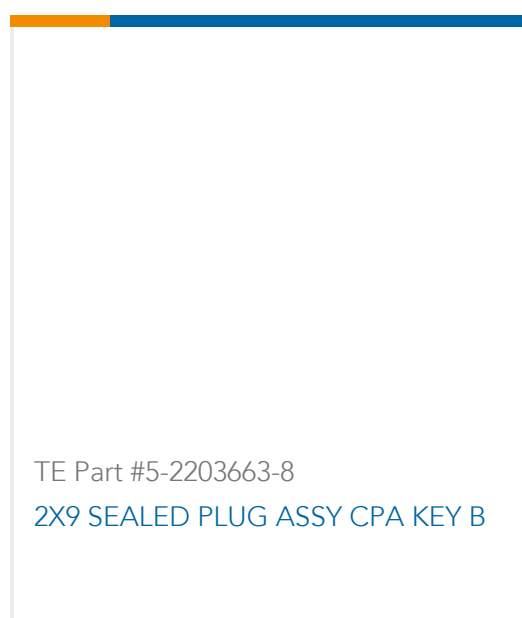
TE Part #174930-2
070 MLC W-W CAP HSG 6P BLACK



TE Part #174929-2
070 MLC W-W CAP HSG 4P B



TE Part #178602-2
070 MLC



TE Part #5-2203663-8
2X9 SEALED PLUG ASSY CPA KEY B

Documents

Product Drawings

CHRISTMAS TREE

English

CAD Files

3D PDF

English

Customer View Model

[ENG_CVM_626897-1_D.2d_dxf.zip](#)

English

Customer View Model

[ENG_CVM_626897-1_D.3d_igs.zip](#)

English

Customer View Model

[ENG_CVM_626897-1_D.3d_stp.zip](#)

English

By downloading the CAD file I accept and agree to the [Terms and Conditions](#) of use.