

62428-2 ✓ ACTIVE

FASTON | FASTON 250

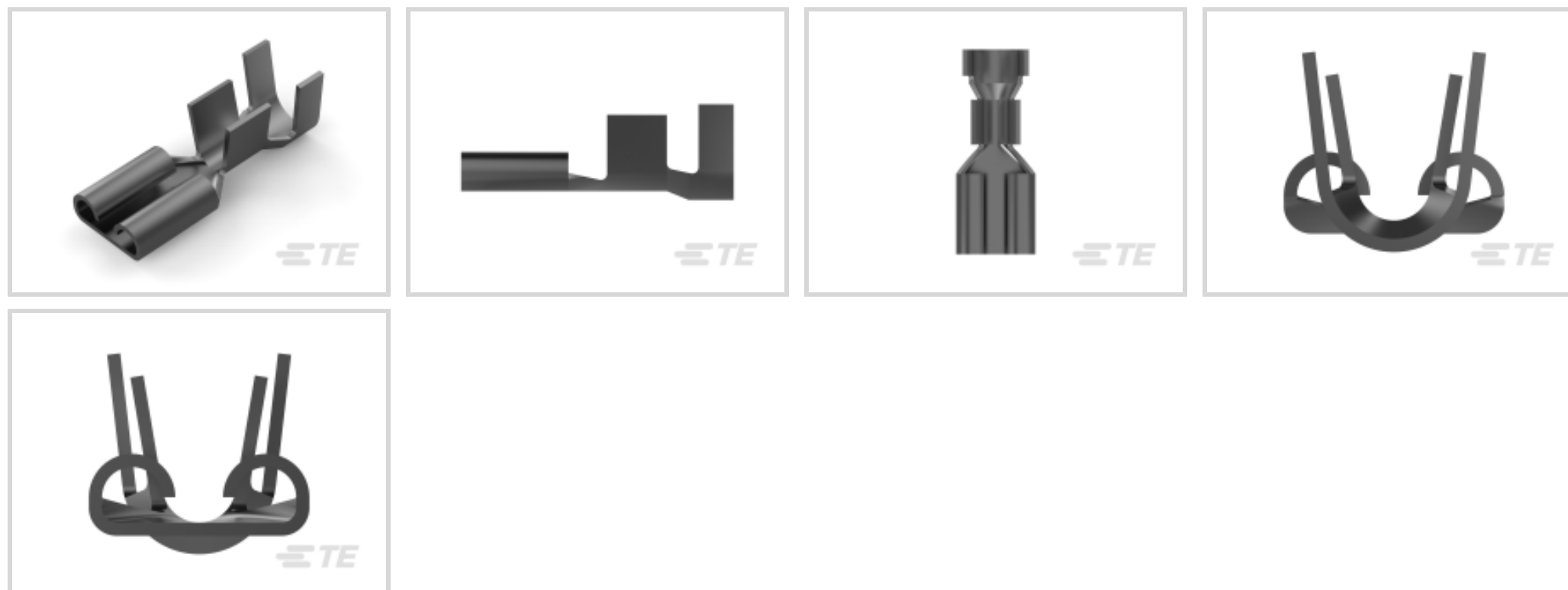
TE Internal #: 62428-2

Quick Disconnects, Receptacle, 12 – 10 AWG Wire Size, 3.31 – 5.26 mm<sup>2</sup> Wire Size, Mating Tab Width .25 in [6.35 mm], Straight, Brass, FASTON 250

[View on TE.com >](#)



Terminals & Splices > Quick Disconnects



Quick Disconnect Terminal Type: **Receptacle**

Wire Size: **3.31 – 5.26 mm<sup>2</sup>**

Mating Tab Width: **6.35 mm [ .25 in ]**

Mating Tab Thickness: **.81 mm [ .032 in ]**

## Features

### Product Type Features

Terminates To	Wire & Cable
Wire/Cable Type	Regular Wire
Wire Stop	No
Insertion Force	Normal
Sealable	No

### Configuration Features

Connection Capacity	Single
---------------------	--------

### Contact Features

Quick Disconnect Terminal Type	Receptacle
Mating Tab Width	6.35 mm [.25 in]
Mating Tab Thickness	.81 mm [.032 in]
Terminal Orientation	Straight
Contact Base Material	Brass
Terminal Plating Material	Tin
Crimp Type	F-Crimp



Barrel Type	Open
-------------	------

### Mechanical Attachment

Mating Retention Type	Dimple
-----------------------	--------

Wire Insulation Support	With
-------------------------	------

### Dimensions

Accepts Wire Insulation Diameter Range	3.81 – 5.08 mm [.15 – .2 in]
--	------------------------------

Receptacle Terminal Stock Thickness	.46 mm [.018 in]
-------------------------------------	------------------

Overall Length	19.55 mm [.77 in]
----------------	-------------------

Wire Size	3.31 – 5.26 mm <sup>2</sup>
-----------	-----------------------------

### Usage Conditions

Insulation Option	Uninsulated
-------------------	-------------

Operating Temperature Range	-40 – 110 °C [-40 – 230 °F]
-----------------------------	-----------------------------

### Industry Standards

CSA Certified	Yes
---------------	-----

UL Rating	Listed
-----------	--------

### Packaging Features

Packaging Quantity	9000
--------------------	------

Packaging Method	Strip/Reel
------------------	------------

### Other

Line	Premier
------	---------

### Product Compliance

[For compliance documentation, visit the product page on TE.com>](#)

EU RoHS Directive 2011/65/EU	Compliant
------------------------------	-----------

EU ELV Directive 2000/53/EC	Compliant
-----------------------------	-----------

China RoHS 2 Directive MIIT Order No 32, 2016	No Restricted Materials Above Threshold
---	---

EU REACH Regulation (EC) No. 1907/2006	Current ECHA Candidate List: JUNE 2022 (224) Candidate List Declared Against: JAN 2022 (223) SVHC > Threshold: Not Yet Reviewed
--	--

Halogen Content	Low Halogen - Br, Cl, F, I < 900 ppm per homogenous material. Also BFR/CFR/PVC
-----------------	--

Free


Solder Process Capability

Not applicable for solder process capability

## Product Compliance Disclaimer

This information is provided based on reasonable inquiry of our suppliers and represents our current actual knowledge based on the information they provided. This information is subject to change. The part numbers that TE has identified as EU RoHS compliant have a maximum concentration of 0.1% by weight in homogenous materials for lead, hexavalent chromium, mercury, PBB, PBDE, DBP, BBP, DEHP, DIBP, and 0.01% for cadmium, or qualify for an exemption to these limits as defined in the Annexes of Directive 2011/65/EU (RoHS2). Finished electrical and electronic equipment products will be CE marked as required by Directive 2011/65/EU. Components may not be CE marked. Additionally, the part numbers that TE has identified as EU ELV compliant have a maximum concentration of 0.1% by weight in homogenous materials for lead, hexavalent chromium, and mercury, and 0.01% for cadmium, or qualify for an exemption to these limits as defined in the Annexes of Directive 2000/53/EC (ELV). Regarding the REACH Regulation, the information TE provides on SVHC in articles for this part number is based on the latest European Chemicals Agency (ECHA) 'Guidance on requirements for substances in articles' posted at this URL: <https://echa.europa.eu/guidance-documents/guidance-on-reach>

## Compatible Parts

 <p>TE Part # 154897-1 .375 FLAG FASTON RECPT.</p>	 <p>TE Part # 154897-2 .375 FLAG FASTON RECPT.</p>	 <p>TE Part # 5-160521-2 375 FASTON REC 12-10 AWG TPBR</p>	 <p>TE Part # 2-2150536-1 OCEAN_2.0_Applicator-E-155F220F</p>
 <p>TE Part # 2-2150536-2 OCEAN_2.0_Applicator-E-155F220F</p>	 <p>TE Part # 2150536-1 OCEAN_2.0_Applicator-E-155F220F</p>	 <p>TE Part # 2150536-2 OCEAN_2.0_Applicator-E-155F220F</p>	 <p>TE Part # 2376595-2 250 FASTON PCB TAB TPBR</p>
 <p>TE Part # 7-2150536-1 OCEAN_2.0_Applicator-E-155F220F</p>	 <p>TE Part # 7-2150536-2 OCEAN_2.0_Applicator-E-155F220F</p>	 <p>TE Part # 7-2150536-7 OCEAN_2.0_SPARE_PART_KIT-155F220F</p>	 <p>TE Part # 2376591-3 250 FASTON PCB TAB TPBR LP</p>

Also in the Series | **FASTON 250**



Compression Connectors(4)



Crimp Terminal Housings(143)



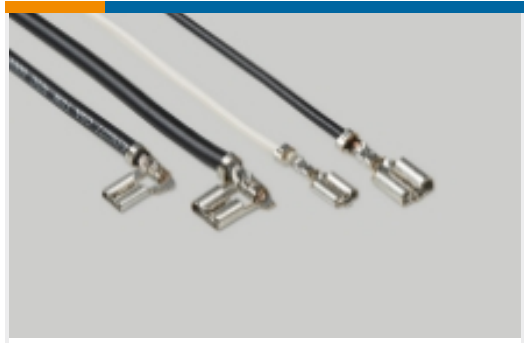
Insertion & Extraction Tools(6)



Magnet Wire Terminals(1)



PCB Terminals(144)



Quick Disconnects(456)



Splices(4)

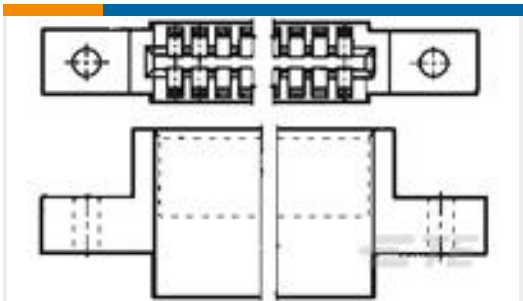
## Customers Also Bought



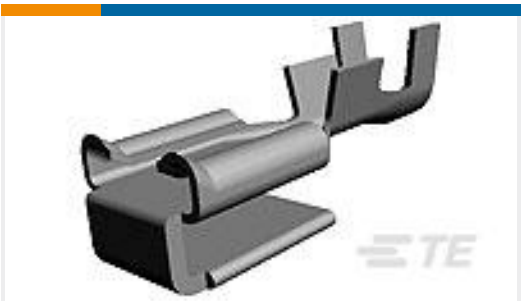
TE Part #6-1971793-3  
NEW GI CONN2.5 PLUG HSG 6P RED



TE Part #2-324015-1  
TERMINAL,PIDG SPD FLG 12-10 10



TE Part #1-583861-1  
TW-LEAF CRP. HSG 17 POS. 100 C



TE Part #1217043-1  
250 FASTON,REC.,14-10 AWG,TPBR



TE Part #2129276-1  
PLUG ASSY 0.6mm CHAMP DOCKING



TE Part #770087-1  
06P .093 COMM P&S RECPT HSG



TE Part #41356  
RING 12-10 1/4 .040TPBR



TE Part #23846-1  
SPRING,DIE



TE Part #690495-3  
FRONT SHEAR PLATE

## Documents



### Product Drawings

#### 250 FASTON REC 12-10 AWG TPBR

English

---

### CAD Files

#### Customer View Model

[ENG\\_CVM\\_CVM\\_62428-2\\_P.2d\\_dxf.zip](#)

English

#### 3D PDF

3D

#### Customer View Model

[ENG\\_CVM\\_CVM\\_62428-2\\_P.3d\\_igs.zip](#)

English

#### Customer View Model

[ENG\\_CVM\\_CVM\\_62428-2\\_P.3d\\_stp.zip](#)

English

By downloading the CAD file I accept and agree to the [Terms and Conditions](#) of use.

---

### Datasheets & Catalog Pages

#### 82004 FASTON Terminals (Insulated and Uninsulated) Catalog - FASTON Receptacles Section

English

---

### Product Specifications

#### Application Specification

English

#### Application Specification

English

#### Wire Preparation And Crimp Inspection Guide

English

---

### Product Environmental Compliance

[MD\\_62428-2\\_0207201802\\_dmtec](#)

English

[MD\\_62428-2\\_0207201802\\_dmtec](#)

English