



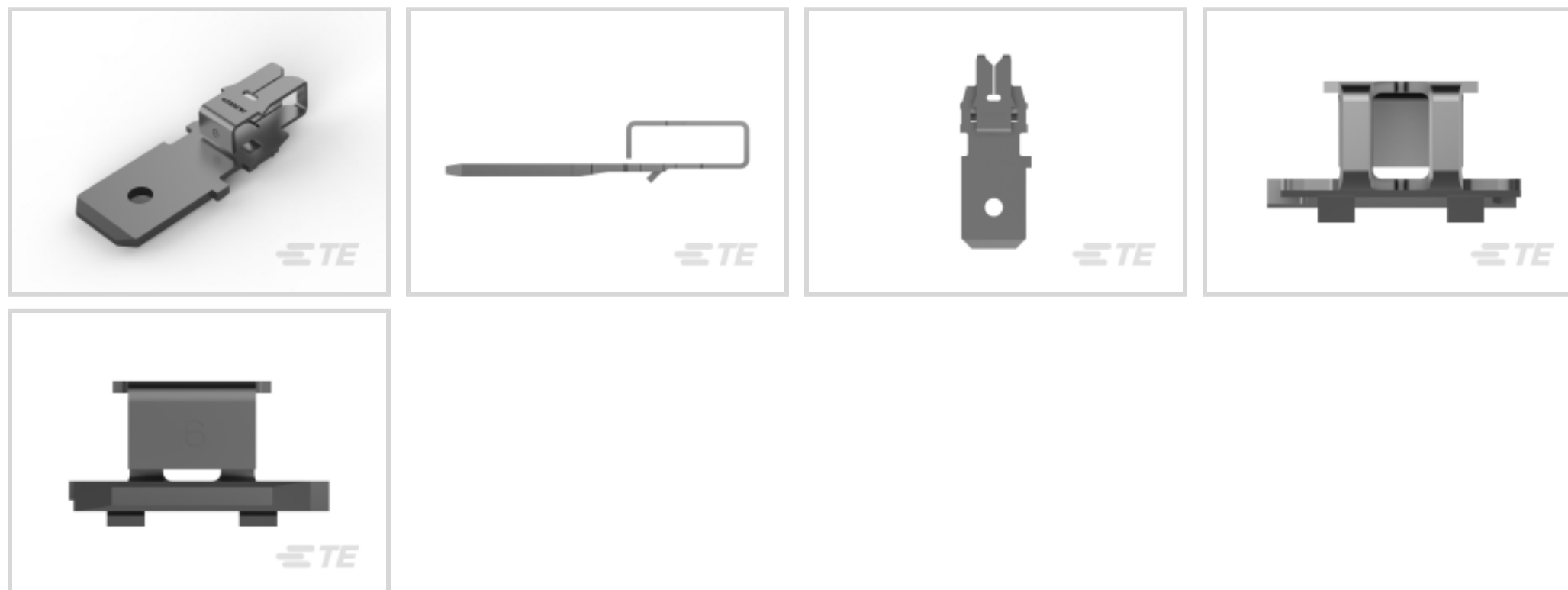
MAG-MATE

TE Internal #: 63499-2

Magnet Wire Terminals, Tab, Mating Tab Width .25 in [6.35 mm],
 Size 3, 28 – 25 AWG Aluminum Wire, .08 – .16 mm Aluminum Wire,
 MAG-MATE

[View on TE.com >](#)

Terminals & Splices > Magnet Wire Terminals



Magnet Wire Terminal Type: **Tab**
 Mating Tab Width: **6.35 mm [.25 in]**
 Mating Tab Thickness: **.8 mm [.032 in]**
 Compatible With Cavity Size: **Size 3**
 Aluminum Wire Size: **.08 – .16 mm**

Features

Product Type Features

Compatible With Discrete Wire Type	Magnet Wire, Solid
Sealable	No

Body Features

Body Shape	Wide
Compatible With Cavity Size	Size 3

Contact Features

Magnet Wire Terminal Type	Tab
Mating Tab Width	6.35 mm[.25 in]
Mating Tab Thickness	.8 mm[.032 in]
Terminal Plating Material	Tin
Terminal Orientation	Straight

Termination Features

Termination Method to Wire & Cable	Insulation Displacement (IDC)
------------------------------------	-------------------------------



Mechanical Attachment

Contact Mating Retention Type	Hole
-------------------------------	------

Dimensions

Terminal Height	7.62 mm[.3 in]
Aluminum Wire Size	28 – 25 AWG
Magnet Wire Size	30 – 27 AWG
Stock Thickness (Magnet Wire Side)	.51 mm[.02 in]
Overall Product Length	18.97 mm[.747 in]

Usage Conditions

Insulation Option	Uninsulated
Operating Temperature Range	-65 – 150 °C[-85 – 302 °F]

Operation/Application

Compatible With Wire Base Material	Aluminum, Copper
------------------------------------	------------------

Identification Marking

Identification Number	6
-----------------------	---

Packaging Features

Packaging Quantity	6500
Packaging Method	Reel, Reel/Carton

Other

Comment	Half hard temper brass, Two magnet wires may be terminated in the same terminal slot if diameters are equal., With Latches
---------	--

Product Compliance

[For compliance documentation, visit the product page on TE.com>](#)

EU RoHS Directive 2011/65/EU	Compliant
EU ELV Directive 2000/53/EC	Compliant
China RoHS 2 Directive MIIT Order No 32, 2016	No Restricted Materials Above Threshold
EU REACH Regulation (EC) No. 1907/2006	Current ECHA Candidate List: JUNE 2022 (224) Candidate List Declared Against: JAN 2022 (223) SVHC > Threshold: Not Yet Reviewed

Halogen Content

Low Halogen - Br, Cl, F, I < 900 ppm per homogenous material. Also BFR/CFR/PVC Free


Solder Process Capability

Not applicable for solder process capability

Product Compliance Disclaimer

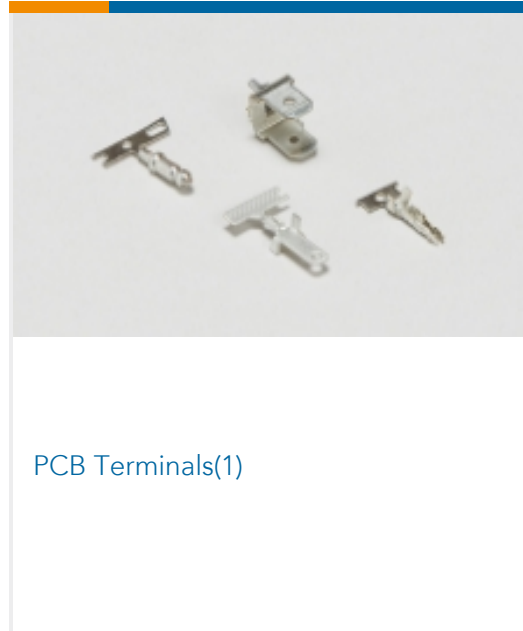
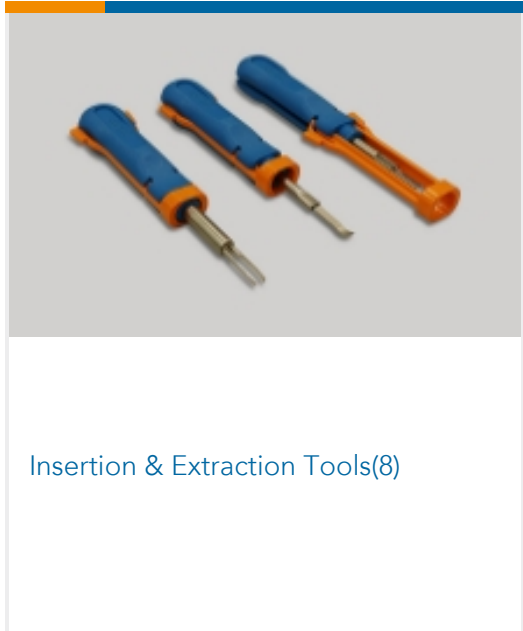
This information is provided based on reasonable inquiry of our suppliers and represents our current actual knowledge based on the information they provided. This information is subject to change. The part numbers that TE has identified as EU RoHS compliant have a maximum concentration of 0.1% by weight in homogenous materials for lead, hexavalent chromium, mercury, PBB, PBDE, DBP, BBP, DEHP, DIBP, and 0.01% for cadmium, or qualify for an exemption to these limits as defined in the Annexes of Directive 2011/65/EU (RoHS2). Finished electrical and electronic equipment products will be CE marked as required by Directive 2011/65/EU. Components may not be CE marked. Additionally, the part numbers that TE has identified as EU ELV compliant have a maximum concentration of 0.1% by weight in homogenous materials for lead, hexavalent chromium, and mercury, and 0.01% for cadmium, or qualify for an exemption to these limits as defined in the Annexes of Directive 2000/53/EC (ELV). Regarding the REACH Regulation, the information TE provides on SVHC in articles for this part number is based on the latest European Chemicals Agency (ECHA) 'Guidance on requirements for substances in articles' posted at this URL: <https://echa.europa.eu/guidance-documents/guidance-on-reach>

Compatible Parts

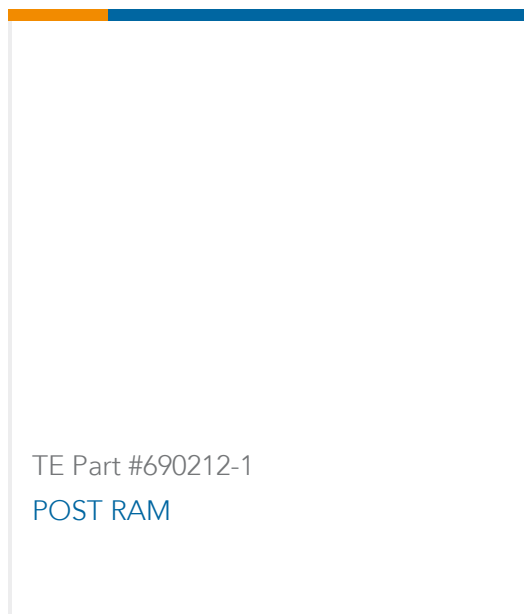
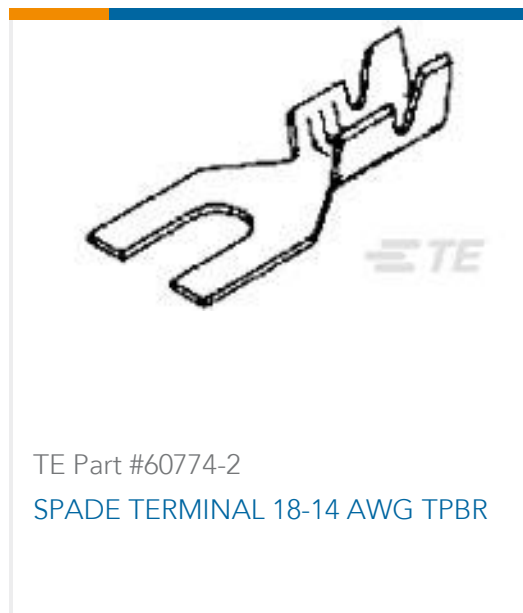
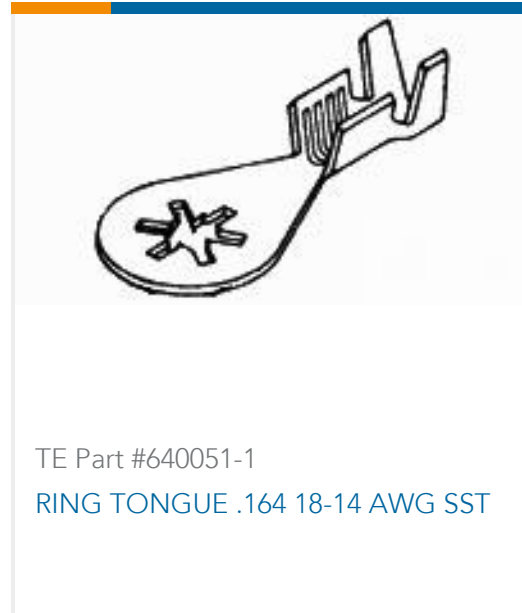
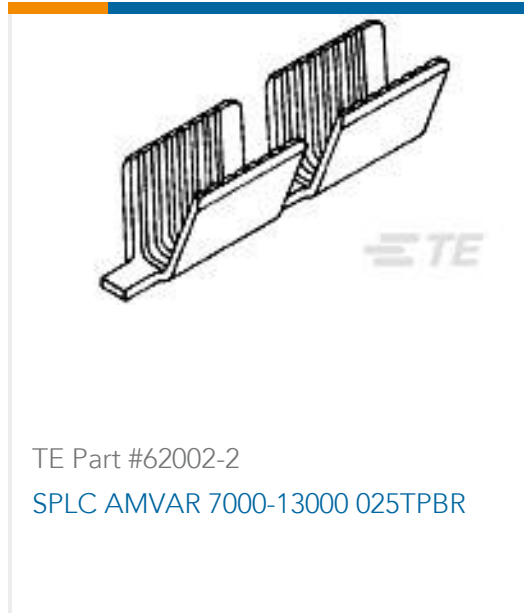
 <p>TE Part # 63499-1 MAG-MATE 250 F TAB 30-27 TPBR</p>	 <p>TE Part # 63132-3 TAB, .250 FASTON,MAG-MATE</p>	 <p>TE Part # 63601-2 MAG-MATE 250 FAST TAB 22-20</p>	 <p>TE Part # 63309-2 MAG-MATE 250F-TAB 33-31 TPBR</p>
 <p>TE Part # 63328-1 MAG-MATE 250F TAB TPBR</p>	 <p>TE Part # 63571-2 TAB 250 FASTON MAG-MATE</p>	 <p>TE Part # 1742398-1 TAB,FASTON,250 SERIES,MAG-MATE</p>	 <p>TE Part # 63571-1 MAG-MATE 250 F-TAB 27-23 TPBR</p>
 <p>TE Part # 1394403-1 MAG MATE ST-KONT</p>	 <p>TE Part # 1742517-1 TAB,FASTON,.250,LP,MAG-MATE</p>	 <p>TE Part # 63132-1 MAG-MATE 250 F TAB 30-27 TPBR</p>	 <p>TE Part # 63132-2 MAG-MATE 250 F TAB 30-27 BR</p>



Also in the Series | **MAG-MATE**



Customers Also Bought





Documents

Product Drawings

MAG-MATE 250 F TAB 30-27 TPBR

English

CAD Files

3D PDF

3D

Customer View Model

ENG_CVM_CVM_63499-2_L.2d_dxf.zip

English

Customer View Model

ENG_CVM_CVM_63499-2_L.3d_igs.zip

English

Customer View Model

ENG_CVM_CVM_63499-2_L.3d_stp.zip

English

By downloading the CAD file I accept and agree to the [Terms and Conditions](#) of use.

Datasheets & Catalog Pages

Magnet Wire Terminals & Splices

English

Product Specifications

Application Specification

English

Application Specification

Japanese

MAG-MATE Standard Series .300 Box Height Special Latch Type Terminal

Japanese

Product Environmental Compliance

Product Compliance

English

Product Compliance

English