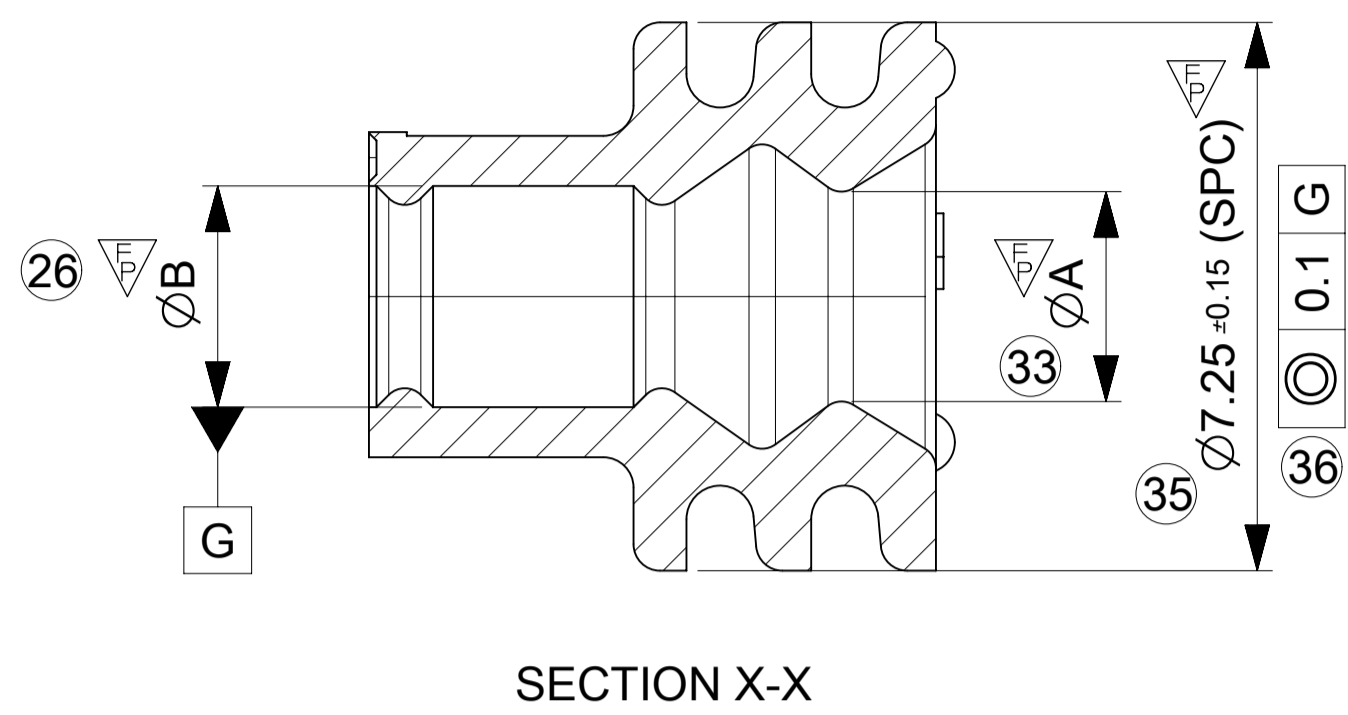
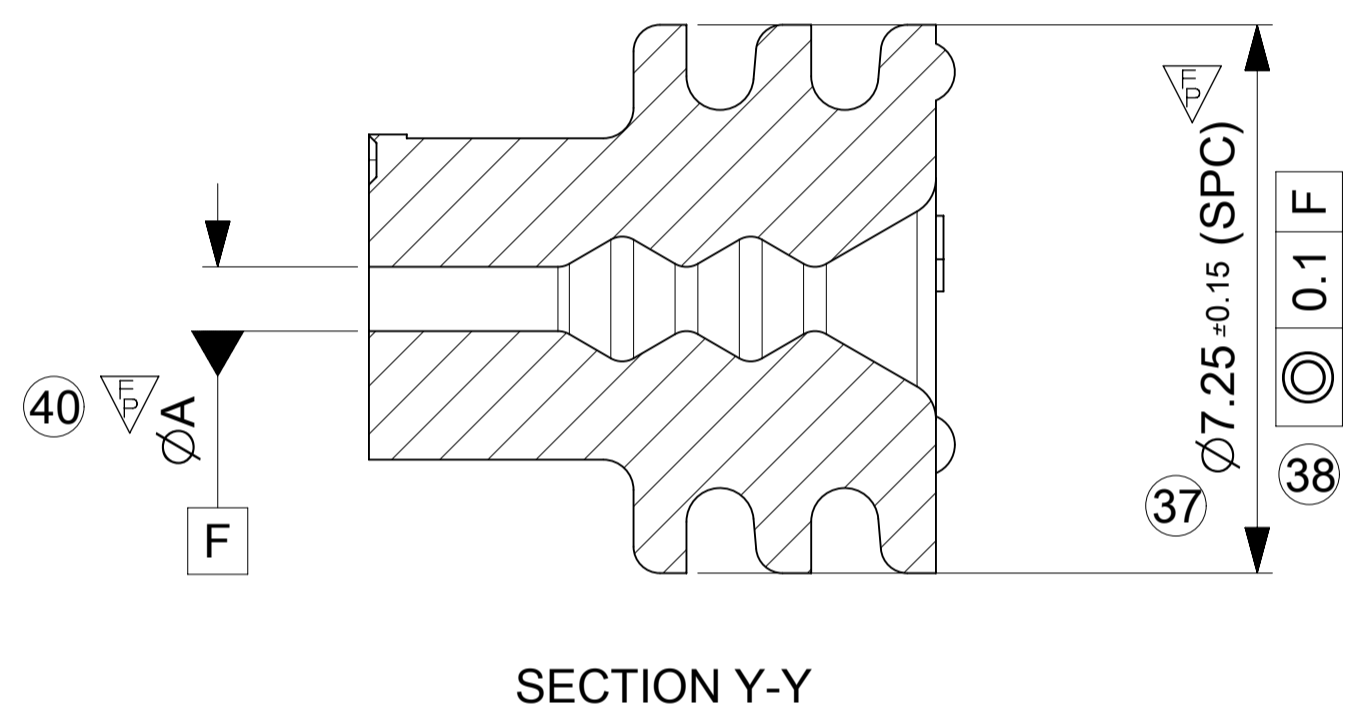


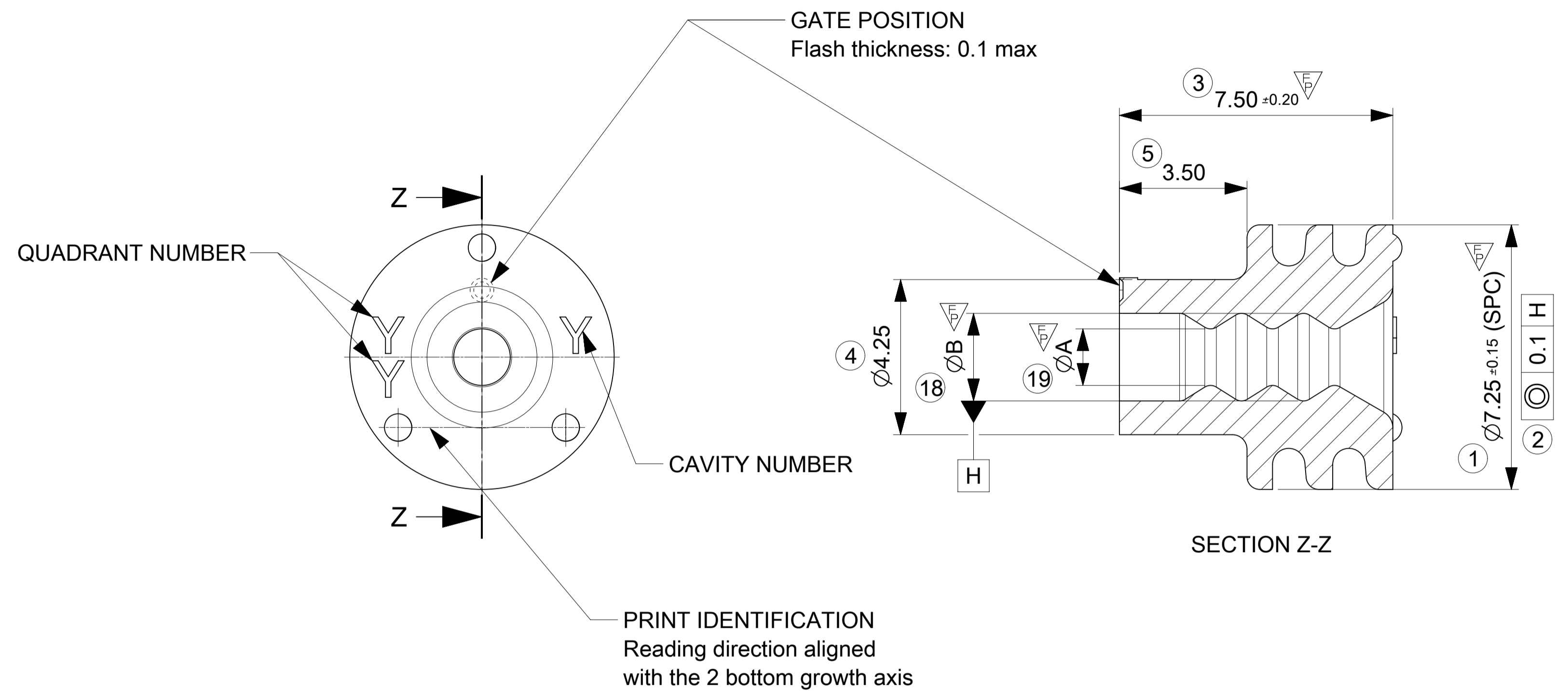
TYPE 2



TYPE 3



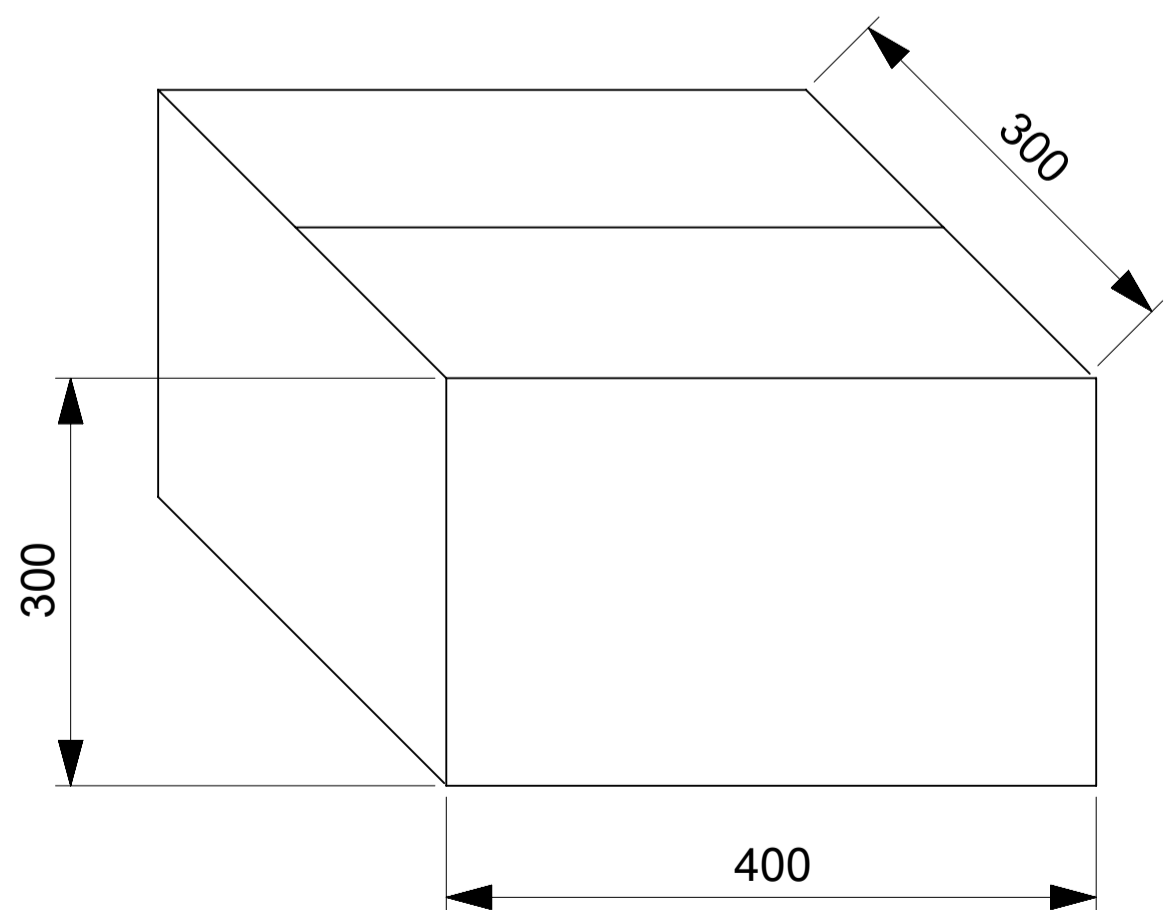
TYPE 1



Flash max 0.1. No cut, no short shots, no tear, no distortion on seal lips allowed.

BULK PACKAGING

50 000 seals (5 bags of 10 000 seals)/cardboard
PACKAGING CODE: GALIA A12



(SPC): DENOTE SPC DIMENSION (3)

QUALITY SYMBOL COUNT	
PERFORMANCE	▽ = 10
ASSEMBLY	▽ = 0
CUSTOMER	▽ = 0

▽ MATERIAL SPECIFICATION : Silicon elastomer type LSR self bleeding (2% approx)

THIS DRAWING CONTAINS INFORMATION THAT IS PROPRIETARY TO MOLEX ELECTRONIC TECHNOLOGIES, LLC AND SHOULD NOT BE USED WITHOUT WRITTEN PERMISSION		CURRENT REV DESC: REMASTERED IN ECTR		molex	
DIMENSION UNITS	SCALE	EC NO: 633640			
mm	10:1	DRWN: MKP 2020/02/25		PRODUCT CUSTOMER DRAWING	
GENERAL TOLERANCES (UNLESS SPECIFIED)		CHK'D: OPLESSIS 2020/03/17		DOCUMENT NUMBER	
4 PLACES	±	APPR: CBOUCHAN 2020/03/18		SD-64325-006	
3 PLACES	±	INITIAL REVISION:		DOC TYPE DOC PART REVISION	
2 PLACES	± 0.1	DRWN: JDUCLIOS 2010/04/07		PSD 001 D1	
1 PLACE	± 0.1	APPR: BMOSEY 2010/05/04		MATERIAL NUMBER	
0 PLACES	± 0.1	ANGULAR TOL ± 0.5°		CUSTOMER	
DRAFT WHERE APPLICABLE MUST REMAIN WITHIN DIMENSIONS		FIRST ANGLE PROJECTION		SHEET NUMBER	
		DRAWING SERIES		1 OF 1	
		A1-SIZE 64325		SEE CHART	
		GENERAL MARKET			

MOLEX PART NUMBER	COLOR	TYPE	ALLOWED WIRE DIAMETER	WEIGHT (g)	ØA	ØB
0643251366	BLUE	2	3.40/4.20	0.137	2.55/2.70	2.80/2.95
0643251358	GREY	2	2.65/3.50	0.158	2.00/2.15	2.20/2.35
0643251345	GREEN	1	2.00/2.80	0.168	1.40/1.70	2.25/2.55
0643251332	RED	3	1.30/2.15	0.190	0.70/1.00	-
DOCUMENT STATUS	P1	RELEASE DATE	2020/03/18 08:59:10			