

5536052-5 ✓ ACTIVE

EUROCARD | Eurocard Type B

TE Internal #: 5536052-5

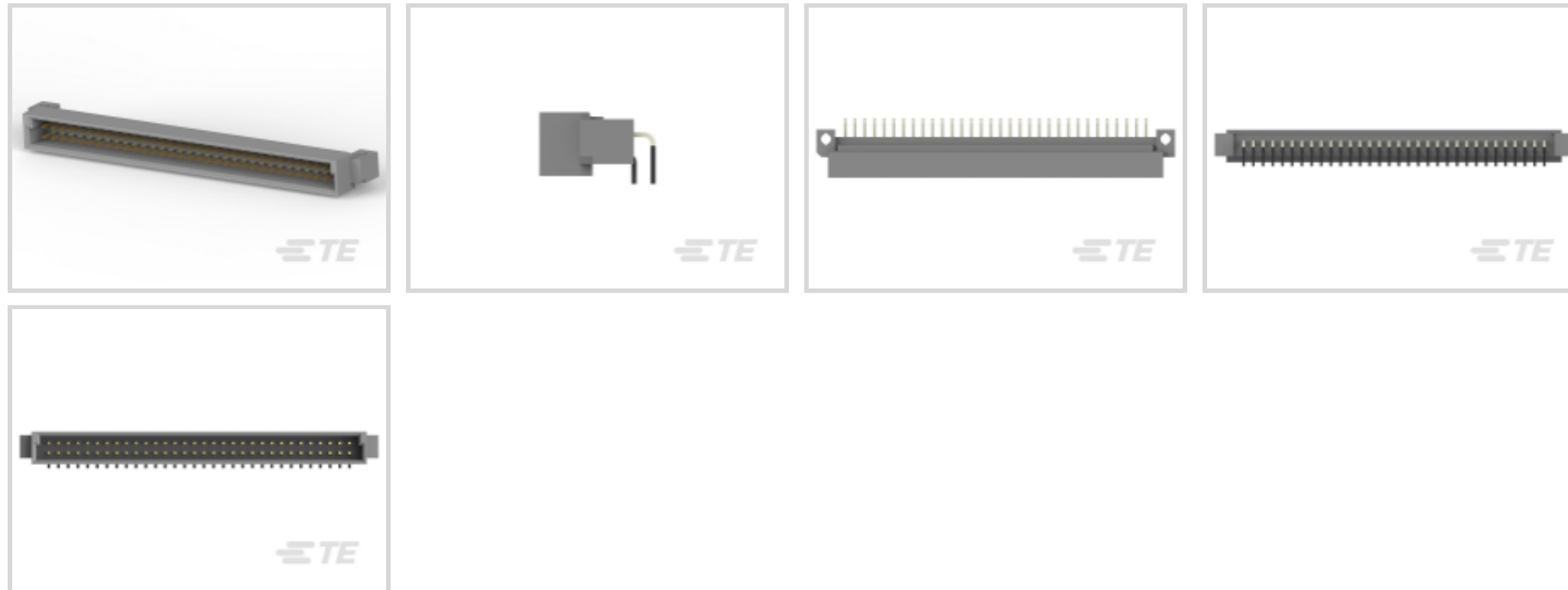
Eurocard Connectors, Plug, Board-to-Board, 64 Position, .1 in [2.54 mm] Centerline, Printed Circuit Board, 2 Row, Right Angle, Eurocard Type B

Eurocard Type B

[View on TE.com >](#)



Connectors > PCB Connectors > Backplane Connectors > Eurocard Connectors



Connector & Housing Type: **Plug**

Connector System: **Board-to-Board**

Termination Post & Tail Length: **2.64 mm [.104 in]**

Number of Positions: **64**

Centerline (Pitch): **2.54 mm [.1 in]**

Features

Product Type Features

| | |
|-----------------------------------|-----------------------|
| Connector & Housing Type | Plug |
| Connector System | Board-to-Board |
| Sealable | No |
| Connector & Contact Terminates To | Printed Circuit Board |
| DIN Size | Standard |
| DIN Level | II |

Configuration Features

| | |
|----------------------------|-------------|
| Number of Positions | 64 |
| Number of Rows | 2 |
| PCB Mount Orientation | Right Angle |
| Number of Columns | 32 |
| Number of Signal Positions | 64 |
| Rows Loaded | A, B |

Contact Features



| | |
|---|-----------------------------|
| Contact Layout | Inline |
| Contact Mating Area Length | 4.93 mm[.164 in] |
| PCB Contact Termination Area Plating Material Thickness | 2.54 μ m[100 μ in] |
| Contact Type | Pin |
| Contact Underplating Material Thickness | 1.27 μ m[50 μ in] |
| Contact Mating Area Plating Material Thickness | .76 μ m[29.92 μ in] |
| Contact Mating Area Plating Material | Gold |
| Contact Underplating Material | Nickel |
| PCB Contact Termination Area Plating Material | Tin |
| Contact Base Material | Copper Alloy |

Termination Features

| | |
|---|-----------------------|
| Termination Method to Printed Circuit Board | Through Hole - Solder |
| Termination Post & Tail Length | 2.64 mm[.104 in] |

Mechanical Attachment

| | |
|--------------------------|---------------|
| Mating Alignment Type | Polarization |
| Mating Retention | Without |
| Mating Alignment | With |
| PCB Mount Alignment | Without |
| PCB Mount Retention | With |
| PCB Mount Retention Type | Mounting Hole |
| Connector Mounting Type | Board Mount |

Housing Features

| | |
|--------------------|----------------|
| Housing Material | Polymer - GF |
| Centerline (Pitch) | 2.54 mm[.1 in] |

Dimensions

| | |
|-----------------------------|-------------------|
| Connector Length | 93.98 mm[3.7 in] |
| Connector Height | 12.62 mm[.497 in] |
| Connector Width | 8.56 mm[.337 in] |
| PCB Thickness (Recommended) | 1.57 mm[.062 in] |
| Row-to-Row Spacing | 2.54 mm[.1 in] |

Usage Conditions

| | |
|-----------------------------|----------------------------|
| Operating Temperature Range | -55 – 105 °C[-67 – 221 °F] |
|-----------------------------|----------------------------|



Operation/Application

| | |
|---------------------|--------|
| Shielded | No |
| Circuit Application | Signal |

Industry Standards

| | |
|------------------------|------------|
| UL Rating | Recognized |
| CSA Certified | Yes |
| UL File Number | E28476 |
| CSA File Number | LR 7189 |
| UL Flammability Rating | UL 94V-0 |

Packaging Features

| | |
|------------------|-----------------|
| Packaging Method | Box, Box & Tray |
|------------------|-----------------|

Product Compliance

[For compliance documentation, visit the product page on TE.com>](#)

| | |
|---|---|
| EU RoHS Directive 2011/65/EU | Compliant |
| EU ELV Directive 2000/53/EC | Compliant |
| China RoHS 2 Directive MIIT Order No 32, 2016 | No Restricted Materials Above Threshold |
| EU REACH Regulation (EC) No. 1907/2006 | Current ECHA Candidate List: JUNE 2022 (224) Candidate List Declared Against: JUNE 2022 (224) Does not contain REACH SVHC |
| Halogen Content | Low Halogen - Br, Cl, F, I < 900 ppm per homogenous material. Also BFR/CFR/PVC Free |
| Solder Process Capability | Wave solder capable to 265°C |

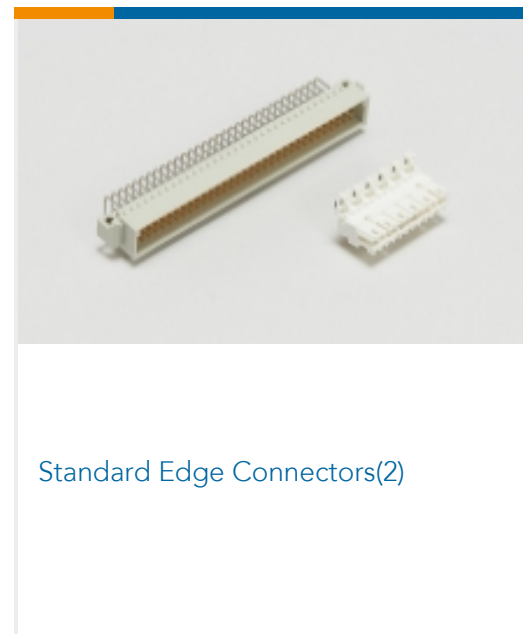
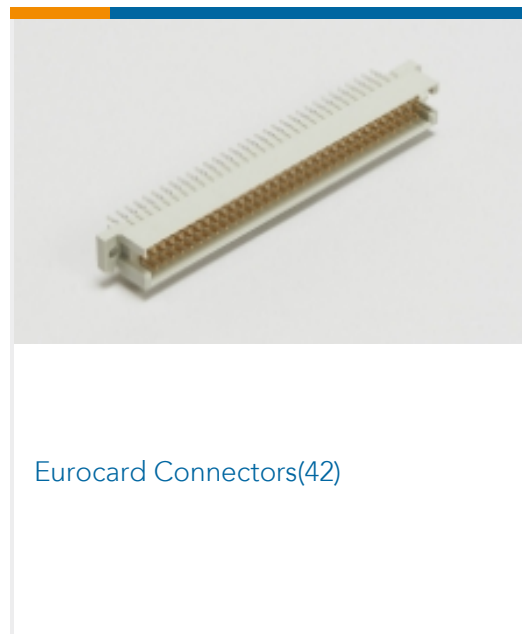
Product Compliance Disclaimer

This information is provided based on reasonable inquiry of our suppliers and represents our current actual knowledge based on the information they provided. This information is subject to change. The part numbers that TE has identified as EU RoHS compliant have a maximum concentration of 0.1% by weight in homogenous materials for lead, hexavalent chromium, mercury, PBB, PBDE, DBP, BBP, DEHP, DIBP, and 0.01% for cadmium, or qualify for an exemption to these limits as defined in the Annexes of Directive 2011/65/EU (RoHS2). Finished electrical and electronic equipment products will be CE marked as required by Directive 2011/65/EU. Components may not be CE marked. Additionally, the part numbers that TE has identified as EU ELV compliant have a maximum concentration of 0.1% by weight in homogenous materials for lead, hexavalent chromium, and mercury, and 0.01% for cadmium, or qualify for an exemption to these limits as defined in the Annexes of Directive 2000/53/EC (ELV). Regarding the REACH Regulation, the information TE provides on SVHC in articles for this part number is based on the latest European Chemicals Agency (ECHA) 'Guidance on requirements for substances in articles' posted at this URL: <https://echa.europa.eu/guidance-documents/guidance-on-reach>

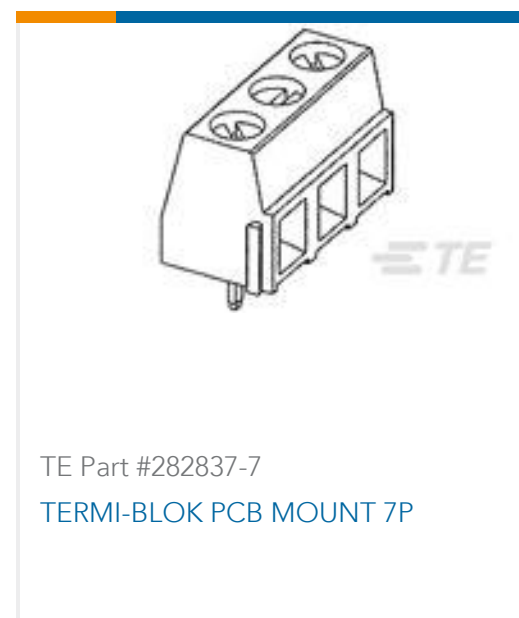
Compatible Parts



Also in the Series | Eurocard Type B



Customers Also Bought



Documents

Product Drawings

ASSY,PIN,EUROCARD,TYPE B,LEAD-

English

CAD Files



Customer View Model

[ENG_CVM_CVM_5536052-5_O.2d_dxf.zip](#)

English

[3D PDF](#)

3D

Customer View Model

[ENG_CVM_CVM_5536052-5_O.3d_igs.zip](#)

English

Customer View Model

[ENG_CVM_CVM_5536052-5_O.3d_stp.zip](#)

English

By downloading the CAD file I accept and agree to the [Terms and Conditions](#) of use.

Product Specifications

[Application Specification](#)

English