



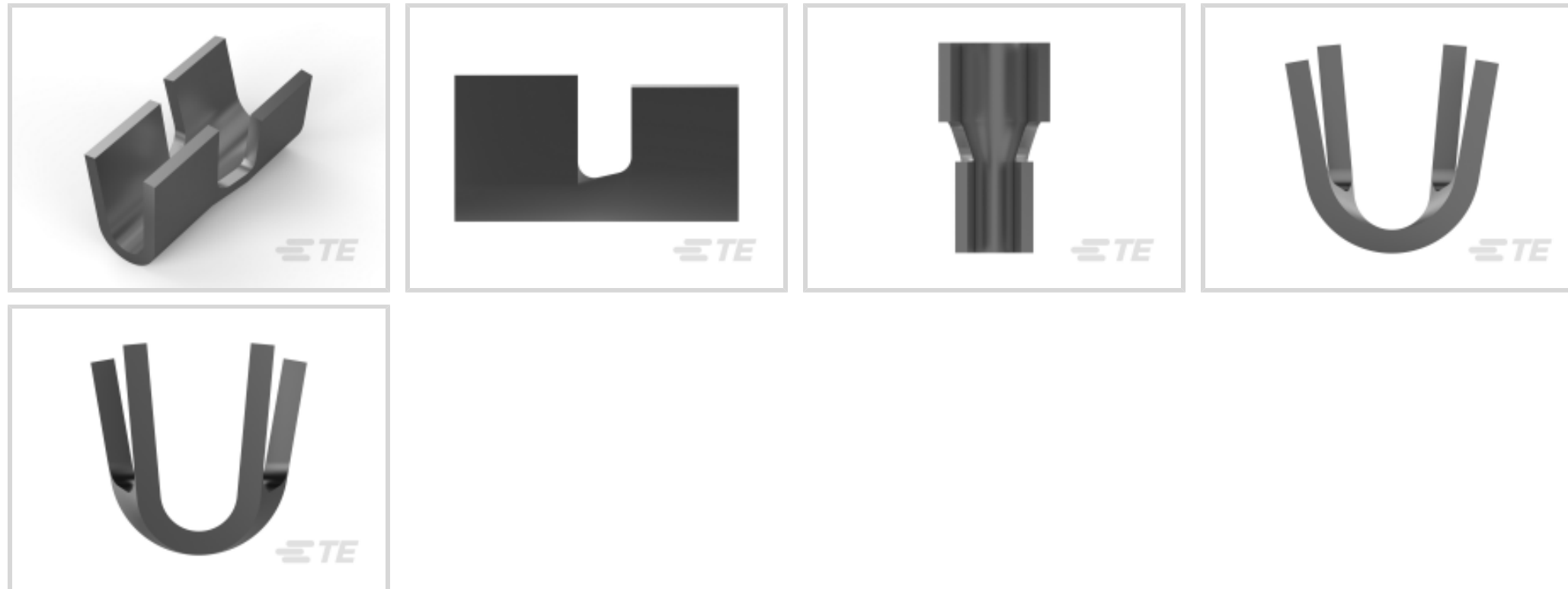
**SPLICE**

TE Internal #: 61300-1

Splices, 10000 – 18000 CMA Wire Size, Steel, Pigtail Splice / Thru Splice Splice, Serrated, 3 Serration, Length .53 in [13.46 mm], Reel, Open, SPLICE

[View on TE.com >](#)

Terminals & Splices > Splices



Sealable: **No**

Accepts Wire Insulation Diameter Range: **4.7 mm [ .185 in ]**

Wire Size: **10000 – 18000 CMA**

Primary Product Material: **Steel**

Splice Type: **Pigtail Splice, Thru Splice**

**Features**

**Product Type Features**

Sealable	No
Splice Type	Pigtail Splice, Thru Splice
Serrated	Yes
Compatible With Discrete Wire Type	Solid, Stranded
Wire Insulation Support Retention Type	Insulation Support

**Configuration Features**

Number of Serrations	3
Compatible With Wire & Cable Type	Discrete Wire

**Body Features**

Weight per Piece	1.136 g[.04 oz]
Plating Material	Tin
Primary Product Material	Steel

**Contact Features**

Barrel Type	Open
-------------	------



### Mechanical Attachment

Wire Insulation Support	With
-------------------------	------

### Dimensions

Accepts Wire Insulation Diameter Range	4.7 mm[.185 in]
Wire Size	10000 – 18000 CMA
Terminal Material Thickness	.78 mm[.031 in]
Overall Product Length	13.46 mm[.53 in]

### Usage Conditions

Insulation Option	Uninsulated
Operating Temperature Range	-40 – 250 °C[-40 – 482 °F]

### Operation/Application

Heavy Duty	No
Compatible With Wire Base Material	Copper

### Industry Standards

Government Qualified Splice	No
-----------------------------	----

### Packaging Features

Packaging Quantity	3000
Packaging Method	Reel

### Product Compliance

[For compliance documentation, visit the product page on TE.com>](#)

EU RoHS Directive 2011/65/EU	Compliant
EU ELV Directive 2000/53/EC	Compliant
China RoHS 2 Directive MIIT Order No 32, 2016	No Restricted Materials Above Threshold
EU REACH Regulation (EC) No. 1907/2006	Current ECHA Candidate List: JUNE 2022 (224) Candidate List Declared Against: JAN 2022 (223) SVHC > Threshold: Not Yet Reviewed
Halogen Content	Low Halogen - Br, Cl, F, I < 900 ppm per homogenous material. Also BFR/CFR/PVC Free
Solder Process Capability	Not applicable for solder process capability

## Product Compliance Disclaimer

This information is provided based on reasonable inquiry of our suppliers and represents our current actual knowledge based on the information they provided. This information is subject to change. The part numbers that TE has identified as EU RoHS compliant have a maximum concentration of 0.1% by weight in homogenous materials for lead, hexavalent chromium, mercury, PBB, PBDE, DBP, BBP, DEHP, DIBP, and 0.01% for cadmium, or qualify for an exemption to these limits as defined in the Annexes of Directive 2011/65/EU (RoHS2). Finished electrical and electronic equipment products will be CE marked as required by Directive 2011/65/EU. Components may not be CE marked. Additionally, the part numbers that TE has identified as EU ELV compliant have a maximum concentration of 0.1% by weight in homogenous materials for lead, hexavalent chromium, and mercury, and 0.01% for cadmium, or qualify for an exemption to these limits as defined in the Annexes of Directive 2000/53/EC (ELV). Regarding the REACH Regulation, the information TE provides on SVHC in articles for this part number is based on the latest European Chemicals Agency (ECHA) 'Guidance on requirements for substances in articles' posted at this URL: <https://echa.europa.eu/guidance-documents/guidance-on-reach>

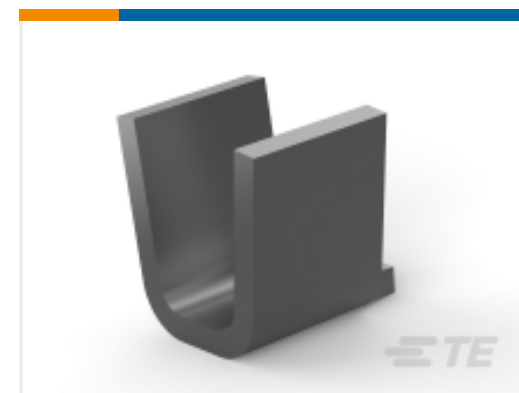
## Compatible Parts



TE Part # 61299-1  
SPLICE 7000-12500 .031 TPST



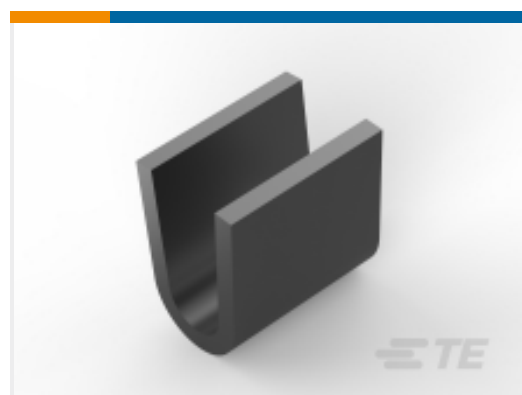
TE Part # 61299-2  
SPLICE 7000-12500 .032 TPBR



TE Part # 60932-2  
SPLICE 2500-4700 .020 TPST



TE Part # 42627-4  
SPLICE 3232-8282 .0198 NPST



TE Part # 63414-1  
SPLICE 9000-16000 .031 TPST



TE Part # 60933-2  
SPLICE 2200-2900 .012 TPST



TE Part # 60470-1  
SPLICE 3300-9000 .020 ST BLK



TE Part # 61008-1  
SPLICE 18-16 AWG .0158 TPST



TE Part # 62419-1  
SPLICE 1600-4100 .020 TPBR



TE Part # 62419-3  
SPLICE 18-16/18-14 AWG .020 NPST

## Also in the Series | SPLICE

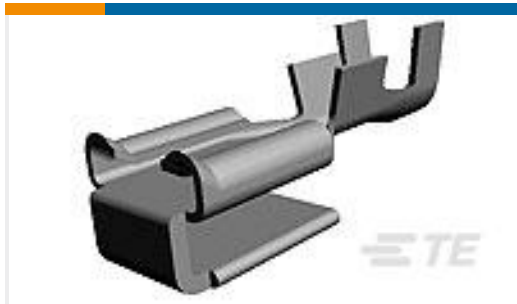


Crimp Wire Pins, Tabs &amp; Ferrules(1)



Splices(65)

## Customers Also Bought

TE Part #62109-1  
250 FASTON REC 18-14 AWG BRTE Part #40524  
RING TERMINAL 12-10 AWG TPBRTE Part #1217043-1  
250 FASTON,REC.,14-10 AWG,TPBRTE Part #42282-1  
FF 250 REC 18-14AWG BR LPTE Part #770087-1  
06P .093 COMM P&S RECPT HSGTE Part #2-34161-3  
TERMINAL,PG R 16-14 10TE Part #55654-1  
TERMINAL R 90 DEG PG 8 10TE Part #1437625-5  
PKS90B1/4=KNOB PLASTIC W/SKIRTTE Part #1878643-6  
M5031CTE Part #2-455892-8  
HOLD DOWN

## Documents

### Product Drawings

[SPLICE IS 10000-16000 .031 TPST](#)

English

### CAD Files

[3D PDF](#)

3D

[Customer View Model](#)

[ENG\\_CVM\\_CVM\\_61300-1\\_AF.2d\\_dxf.zip](#)



English

**Customer View Model**

[ENG\\_CVM\\_CVM\\_61300-1\\_AF.3d\\_igs.zip](#)

English

**Customer View Model**

[ENG\\_CVM\\_CVM\\_61300-1\\_AF.3d\\_stp.zip](#)

English

By downloading the CAD file I accept and agree to the [Terms and Conditions](#) of use.

---

**Product Specifications**

[Application Specification](#)

English

---

**Product Environmental Compliance**

[TE Material Declaration](#)

English