

5536613-1 ✓ ACTIVE

Z-PACK | Z-PACK Future Bus+

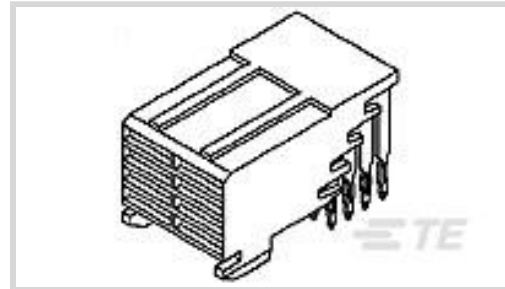
TE Internal #: 5536613-1

Rectangular Power Connectors, Connector Assembly, Receptacle,
Board-to-Board, 8 Position, .079 in [2 mm] Centerline, Z-PACK
Future Bus+

[View on TE.com >](#)



Connectors > Power Connectors > Rectangular Power > Rectangular Power Connectors



Rectangular Power Connector Type: **Connector Assembly**

Connector & Housing Type: **Receptacle**

Connector System: **Board-to-Board**

Number of Positions: **8**

Centerline (Pitch): **2 mm [.079 in]**

Features

Product Type Features

| | |
|-----------------------------------|-----------------------|
| Rectangular Power Connector Type | Connector Assembly |
| Connector & Housing Type | Receptacle |
| Connector System | Board-to-Board |
| Sealable | No |
| Connector & Contact Terminates To | Printed Circuit Board |

Configuration Features

| | |
|----------------------------|-------------|
| Number of Positions | 8 |
| Interface Type | Futurebus+ |
| PCB Mount Orientation | Right Angle |
| Number of Power Positions | 8 |
| Number of Signal Positions | 0 |
| Number of Rows | 4 |

Electrical Characteristics

| | |
|-----------------------|---------|
| Operating Voltage | 30 VDC |
| Insulation Resistance | 5000 MΩ |

Contact Features

| | |
|-----------------------|-----------------|
| Contact Layout | Matrix |
| Contact Base Material | Phosphor Bronze |



| | |
|--|---|
| Contact Current Rating (Max) | 3 A, 5 A |
| Contact Retention Within Housing | With |
| Contact Type | Receptacle |
| PCB Contact Termination Area Plating Material | Tin |
| Contact Mating Area Plating Material | Gold |
| Contact Mating Area Plating Material Thickness | .8 – 1.29 μm [31.49 – 51.18 μin] |
| Contact Termination Area Plating Thickness | 3.81 μm [149 μin] |

Termination Features

| | |
|---|---|
| Termination Post & Tail Length | 3.53 mm[.139 in][.14 in] |
| Termination Method to Printed Circuit Board | Through Hole - Press-Fit, Through Hole - Solder |

Mechanical Attachment

| | |
|--------------------------|-------------|
| PCB Mount Alignment Type | Boss |
| PCB Mount Retention | With |
| PCB Mount Retention Type | Solder Tail |
| Connector Mounting Type | Board Mount |

Housing Features

| | |
|--------------------|------------------------------|
| Centerline (Pitch) | 2 mm[.079 in] |
| Housing Color | Natural |
| Housing Material | LCP (Liquid Crystal Polymer) |

Dimensions

| | |
|--------------------|------------------|
| Row-to-Row Spacing | 2 mm[.079 in] |
| Height | 9.07 mm[.357 in] |

Usage Conditions

| | |
|-----------------------------|--|
| Operating Temperature Range | -55 – 125 $^{\circ}\text{C}$ [-67 – 257 $^{\circ}\text{F}$] |
|-----------------------------|--|

Operation/Application

| | |
|---------------------|-------|
| Circuit Application | Power |
|---------------------|-------|

Industry Standards

| | |
|------------------------|-------------------------------|
| UL Flammability Rating | UL 94V-0 |
| Glow Wire Rating | Standard Part - Not Glow Wire |

Packaging Features

| | |
|------------------|------|
| Packaging Method | Tube |
|------------------|------|



Packaging Quantity 48

Other

For Use With Plug

Product Compliance

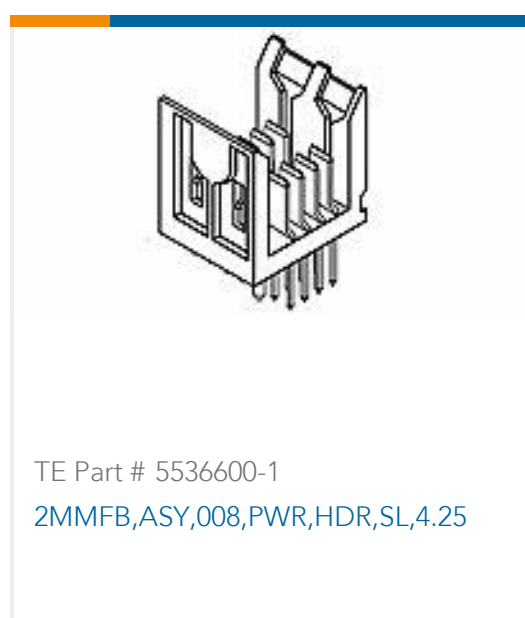
[For compliance documentation, visit the product page on TE.com>](#)

| | |
|---|--|
| EU RoHS Directive 2011/65/EU | Compliant |
| EU ELV Directive 2000/53/EC | Compliant |
| China RoHS 2 Directive MIIT Order No 32, 2016 | No Restricted Materials Above Threshold |
| EU REACH Regulation (EC) No. 1907/2006 | Current ECHA Candidate List: JUNE 2022 (224) Candidate List Declared Against: JAN 2022 (223) SVHC > Threshold: Not Yet Reviewed |
| Halogen Content | BFR/CFR/PVC Free, but Br/Cl >900 ppm in other sources. |
| Solder Process Capability | Pin-in-Paste capable to 260°C |

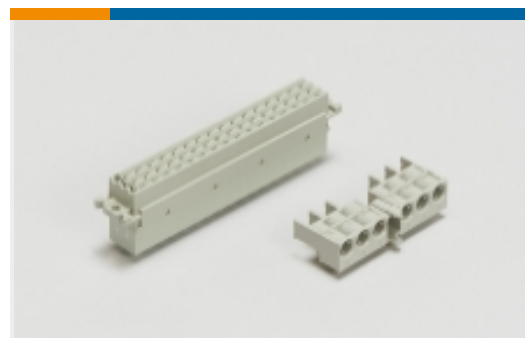
Product Compliance Disclaimer

This information is provided based on reasonable inquiry of our suppliers and represents our current actual knowledge based on the information they provided. This information is subject to change. The part numbers that TE has identified as EU RoHS compliant have a maximum concentration of 0.1% by weight in homogenous materials for lead, hexavalent chromium, mercury, PBB, PBDE, DBP, BBP, DEHP, DIBP, and 0.01% for cadmium, or qualify for an exemption to these limits as defined in the Annexes of Directive 2011/65/EU (RoHS2). Finished electrical and electronic equipment products will be CE marked as required by Directive 2011/65/EU. Components may not be CE marked. Additionally, the part numbers that TE has identified as EU ELV compliant have a maximum concentration of 0.1% by weight in homogenous materials for lead, hexavalent chromium, and mercury, and 0.01% for cadmium, or qualify for an exemption to these limits as defined in the Annexes of Directive 2000/53/EC (ELV). Regarding the REACH Regulation, the information TE provides on SVHC in articles for this part number is based on the latest European Chemicals Agency (ECHA) 'Guidance on requirements for substances in articles' posted at this URL: <https://echa.europa.eu/guidance-documents/guidance-on-reach>

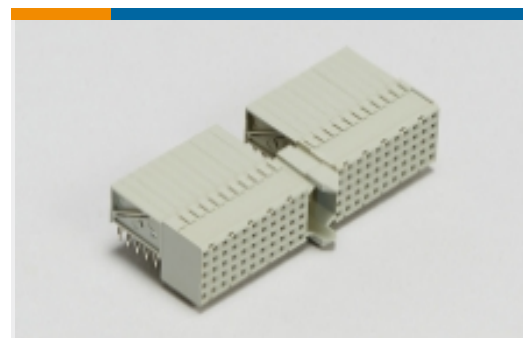
Compatible Parts



Also in the Series | Z-PACK Future Bus+



Backplane Connector Housings(19)

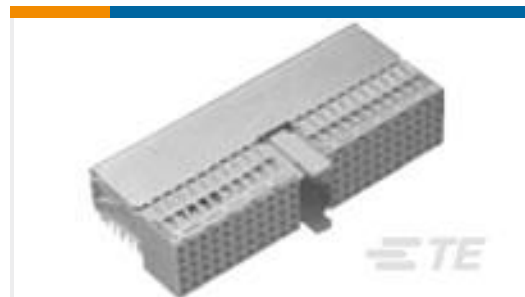


Hard Metric Backplane Connectors(1)



Rectangular Power Connectors(35)

Customers Also Bought

TE Part #5352068-1
Z-PACK/A RAF 110PTE Part #5536437-4
ASSY,PIN,EUROCARD,TYPE C,LEAD-FREE,96 POTE Part #227661-1
BNC PCB RT ANGLETE Part #770193-1
UMNL II GROUND PIN 14-20 AWGTE Part #5-223961-1
UPM PIN ASSY, HI CURRENTTE Part #5-1634504-1
BNC Ins BHSkt 50Ohm Nickel Gold Pltd

Documents

Product Drawings

[2MM FB,ASY,008,PWR,REC,SL,3.53](#)

English

CAD Files

Customer View Model

[ENG_CVM_CVM_5536613-1_A.2d_dxf.zip](#)

English

3D PDF

3D

Customer View Model

[ENG_CVM_CVM_5536613-1_A.3d_igs.zip](#)

English

Customer View Model

[ENG_CVM_CVM_5536613-1_A.3d_stp.zip](#)

English

By downloading the CAD file I accept and agree to the [Terms and Conditions](#) of use.



Datasheets & Catalog Pages

[POWER_CONNECTORS_CATALOG_SEC01_BOARD_TO_BOARD](#)

English

Product Specifications

[Application Specification](#)

English