

62109-2 ✓ ACTIVE

FASTON | FASTON 250

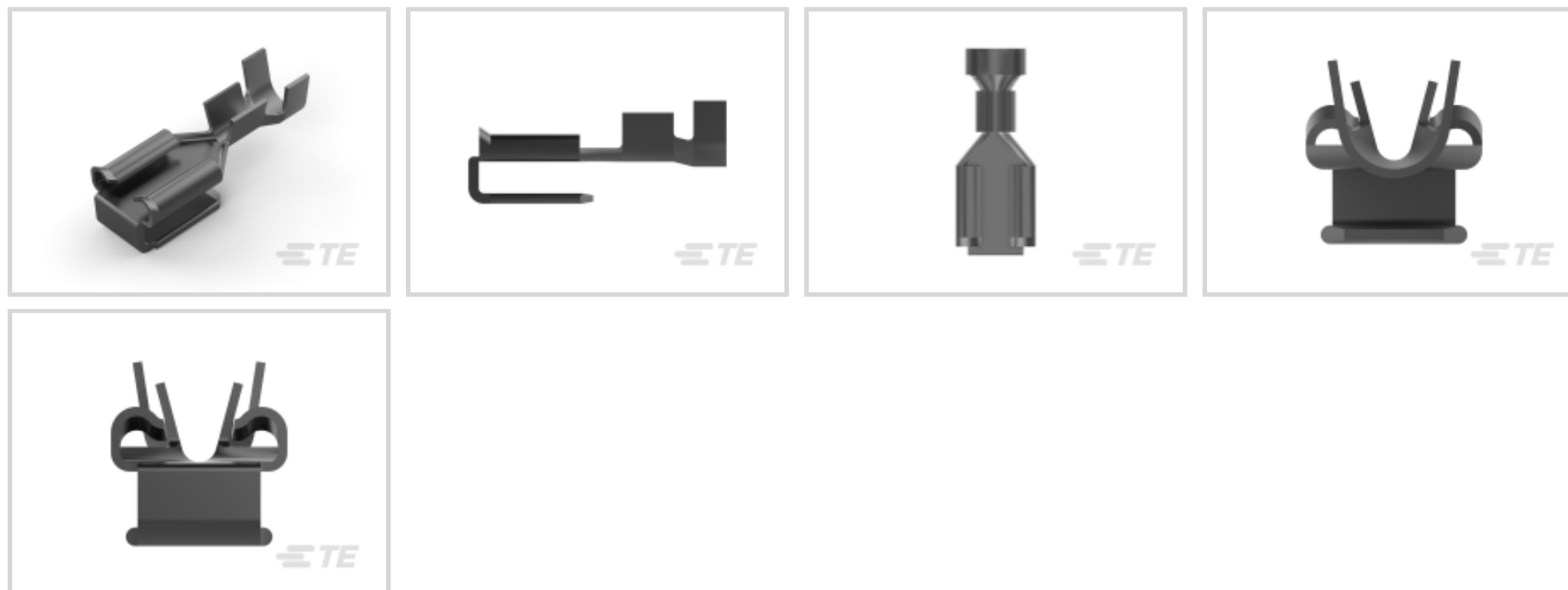
TE Internal #: 62109-2

Quick Disconnects, Receptacle, 18 – 14 AWG Wire Size, .82 – 2.08 mm² Wire Size, Mating Tab Width .25 in [6.35 mm], Piggyback, Brass, FASTON 250

[View on TE.com >](#)



Terminals & Splices > Quick Disconnects



Quick Disconnect Terminal Type: **Receptacle**

Wire Size: .82 – 2.08 mm²

Mating Tab Width: 6.35 mm [.25 in]

Mating Tab Thickness: .81 mm [.032 in]

Features

Product Type Features

| | |
|-----------------|--------------|
| Terminates To | Wire & Cable |
| Wire/Cable Type | Regular Wire |
| Wire Stop | No |
| Insertion Force | Normal |
| Sealable | No |

Configuration Features

| | |
|---------------------|--------|
| Connection Capacity | Single |
|---------------------|--------|

Contact Features

| | |
|--------------------------------|------------------|
| Quick Disconnect Terminal Type | Receptacle |
| Mating Tab Width | 6.35 mm [.25 in] |
| Mating Tab Thickness | .81 mm [.032 in] |
| Terminal Orientation | Piggyback |
| Contact Base Material | Brass |
| Terminal Plating Material | Tin |
| Crimp Type | F-Crimp |



| | |
|-------------|------|
| Barrel Type | Open |
|-------------|------|

Mechanical Attachment

| | |
|-------------------------|--------|
| Mating Retention Type | Dimple |
| Wire Insulation Support | With |

Dimensions

| | |
|--|-----------------------------|
| Accepts Wire Insulation Diameter Range | 3.1 – 4.3 mm [.12 – .17 in] |
| Receptacle Terminal Stock Thickness | .41 mm [.016 in] |
| Overall Length | 19.56 mm [.77 in] |
| Wire Size | .82 – 2.08 mm ² |

Usage Conditions

| | |
|-----------------------------|-----------------------------|
| Insulation Option | Uninsulated |
| Operating Temperature Range | -40 – 110 °C [-40 – 230 °F] |

Industry Standards

| | |
|---------------|--------|
| CSA Certified | Yes |
| UL Rating | Listed |

Packaging Features

| | |
|--------------------|------------|
| Packaging Quantity | 2500 |
| Packaging Method | Strip/Reel |

Other

| | |
|---------|---|
| Comment | Dual thickness., Tab Thickness: 0.81 [.032] |
|---------|---|

Product Compliance

[For compliance documentation, visit the product page on TE.com>](#)

| | |
|---|--|
| EU RoHS Directive 2011/65/EU | Compliant |
| EU ELV Directive 2000/53/EC | Compliant |
| China RoHS 2 Directive MIIT Order No 32, 2016 | No Restricted Materials Above Threshold |
| EU REACH Regulation (EC) No. 1907/2006 | Current ECHA Candidate List: JUNE 2022 (224) Candidate List Declared Against: JAN 2022 (223) SVHC > Threshold: Not Yet Reviewed |
| Halogen Content | Low Halogen - Br, Cl, F, I < 900 ppm per homogenous material. Also BFR/CFR/PVC |

Free

Solder Process Capability

Not applicable for solder process capability

Product Compliance Disclaimer

This information is provided based on reasonable inquiry of our suppliers and represents our current actual knowledge based on the information they provided. This information is subject to change. The part numbers that TE has identified as EU RoHS compliant have a maximum concentration of 0.1% by weight in homogenous materials for lead, hexavalent chromium, mercury, PBB, PBDE, DBP, BBP, DEHP, DIBP, and 0.01% for cadmium, or qualify for an exemption to these limits as defined in the Annexes of Directive 2011/65/EU (RoHS2). Finished electrical and electronic equipment products will be CE marked as required by Directive 2011/65/EU. Components may not be CE marked. Additionally, the part numbers that TE has identified as EU ELV compliant have a maximum concentration of 0.1% by weight in homogenous materials for lead, hexavalent chromium, and mercury, and 0.01% for cadmium, or qualify for an exemption to these limits as defined in the Annexes of Directive 2000/53/EC (ELV). Regarding the REACH Regulation, the information TE provides on SVHC in articles for this part number is based on the latest European Chemicals Agency (ECHA) 'Guidance on requirements for substances in articles' posted at this URL: <https://echa.europa.eu/guidance-documents/guidance-on-reach>

Compatible Parts

Also in the Series | **FASTON 250**



Compression Connectors(4)



Crimp Terminal Housings(143)



Insertion & Extraction Tools(6)



Magnet Wire Terminals(1)



PCB Terminals(144)



Quick Disconnects(456)



Splices(4)

Customers Also Bought



TE Part #1-640251-0
10P SL156 HSG W/O LCK RAMP



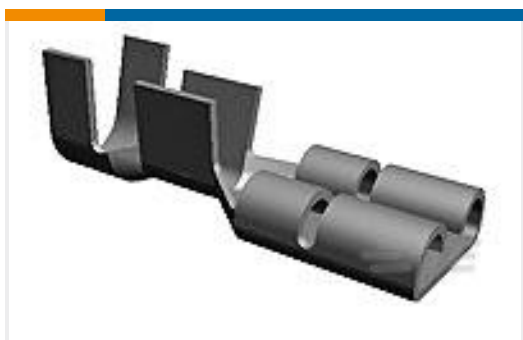
TE Part #2-323144-1
TERMINAL,SOLIS SPD FLG 12-10



TE Part #42169-2
SPRING SPADE TERMINAL 18-14
AWG TPBR



TE Part #52957-3
TERMINAL,PG SPR SPD 16-14 10



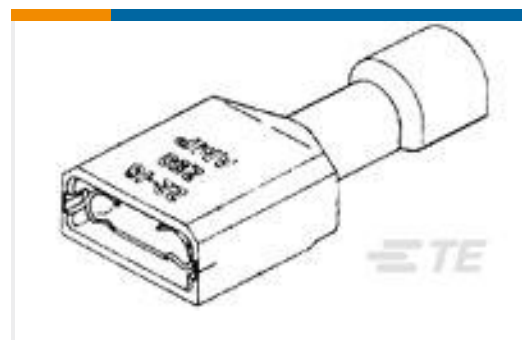
TE Part #63537-2
250 FASTON REC 18-14 TPBR



TE Part #2-320857-1
TERMINAL,SOLIS SPD FLG 16-14



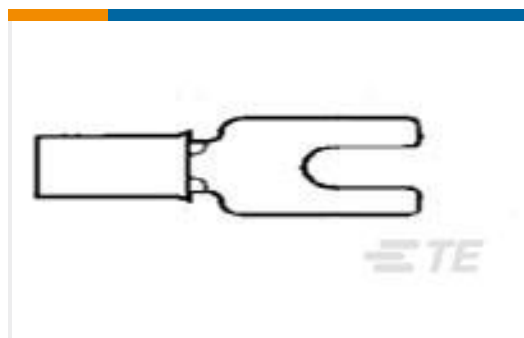
TE Part #521225-2
ULTRA-POD 187 ASSY REC 20-16
AWG TPBR



TE Part #3-520140-2
ULTRA-FAST 250 ASY REC 16-14 AWG
TPBR



TE Part #41274
250 FASTON,REC.,18-14 AWG,TPBR



TE Part #61857-2
SPADE 18-14 10 030TPBR REV RL

Documents



Product Drawings

250 FASTON REC 18-14 AWG TPBR

English

CAD Files

Customer View Model

[ENG_CVM_CVM_62109-2_AL.2d_dxf.zip](#)

English

3D PDF

3D

Customer View Model

[ENG_CVM_CVM_62109-2_AL.3d_igs.zip](#)

English

Customer View Model

[ENG_CVM_CVM_62109-2_AL.3d_stp.zip](#)

English

By downloading the CAD file I accept and agree to the [Terms and Conditions](#) of use.

Datasheets & Catalog Pages

82004 FASTON Terminals (Insulated and Uninsulated) Catalog - FASTON Receptacles Section

English

Product Specifications

Application Specification

English

Product Environmental Compliance

[MD_62109-2_020620182358_dmtec](#)

English

[MD_62109-2_020620182358_dmtec](#)

English

Agency Approvals

CSA Certificate

English

CSA Certificate

English