

63665-1 ✓ ACTIVE

MAG-MATE

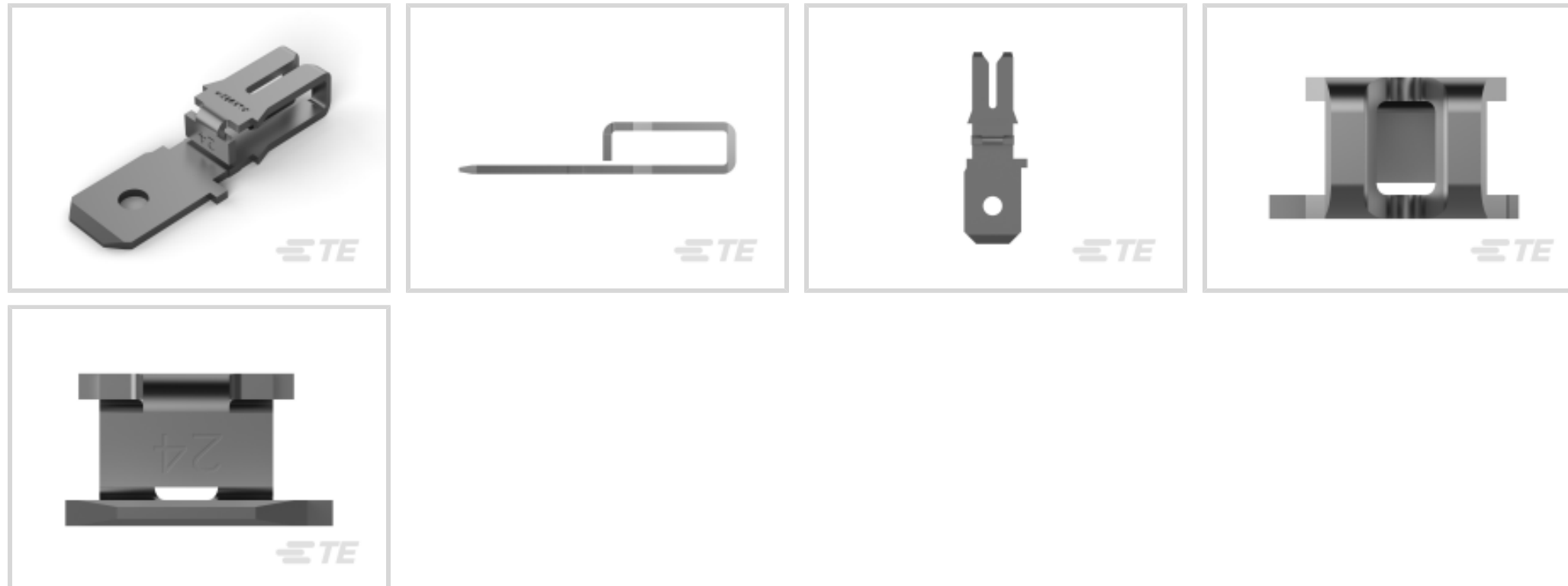
TE Internal #: 63665-1

Magnet Wire Terminals, Tab, Mating Tab Width .187 in [4.75 mm],
Size 2, 18 – 16.5 AWG Aluminum Wire, .82 – 1.17 mm Aluminum
Wire, MAG-MATE

[View on TE.com >](#)



Terminals & Splices > Magnet Wire Terminals



Magnet Wire Terminal Type: **Tab**

Mating Tab Width: **4.75 mm [.187 in]**

Mating Tab Thickness: **.51 mm [.02 in]**

Compatible With Cavity Size: **Size 2**

Aluminum Wire Size: **.82 – 1.17 mm**

Features

Product Type Features

Compatible With Discrete Wire Type	Magnet Wire, Solid
Sealable	No

Body Features

Compatible With Cavity Size	Size 2
-----------------------------	--------

Contact Features

Magnet Wire Terminal Type	Tab
Mating Tab Width	4.75 mm[.187 in]
Mating Tab Thickness	.51 mm[.02 in]
Terminal Plating Material	Tin
Terminal Orientation	Straight

Termination Features

Termination Method to Wire & Cable	Insulation Displacement (IDC)
------------------------------------	-------------------------------

Mechanical Attachment



Contact Mating Retention Type	Hole
-------------------------------	------

Dimensions

Terminal Height	7.68 mm[.3 in]
Aluminum Wire Size	18 – 16.5 AWG
Magnet Wire Size	19 – 17 AWG
Stock Thickness (Magnet Wire Side)	.51 mm[.02 in]
Overall Product Length	15.87 mm[.624 in]

Usage Conditions

Insulation Option	Uninsulated
Operating Temperature Range	-65 – 150 °C[-85 – 302 °F]

Operation/Application

Compatible With Wire Base Material	Aluminum, Copper
------------------------------------	------------------

Identification Marking

Identification Number	28
-----------------------	----

Packaging Features

Packaging Quantity	12000
Packaging Method	Reel, Reel/Carton

Other

Comment	After insertion into plastic cavity, tab portion must be bent over 45°-90° or potted in to prevent pullout when mating receptacle is disconnected., Single magnet wire only., Varnish resist coating.
---------	---

Product Compliance

[For compliance documentation, visit the product page on TE.com>](#)

EU RoHS Directive 2011/65/EU	Compliant
EU ELV Directive 2000/53/EC	Compliant
China RoHS 2 Directive MIIT Order No 32, 2016	No Restricted Materials Above Threshold
EU REACH Regulation (EC) No. 1907/2006	Current ECHA Candidate List: JUNE 2022 (224) Candidate List Declared Against: JAN 2022 (223) SVHC > Threshold: Not Yet Reviewed

Halogen Content

Low Halogen - Br, Cl, F, I < 900 ppm per homogenous material. Also BFR/CFR/PVC Free

Solder Process Capability

Not applicable for solder process capability

Product Compliance Disclaimer

This information is provided based on reasonable inquiry of our suppliers and represents our current actual knowledge based on the information they provided. This information is subject to change. The part numbers that TE has identified as EU RoHS compliant have a maximum concentration of 0.1% by weight in homogenous materials for lead, hexavalent chromium, mercury, PBB, PBDE, DBP, BBP, DEHP, DIBP, and 0.01% for cadmium, or qualify for an exemption to these limits as defined in the Annexes of Directive 2011/65/EU (RoHS2). Finished electrical and electronic equipment products will be CE marked as required by Directive 2011/65/EU. Components may not be CE marked. Additionally, the part numbers that TE has identified as EU ELV compliant have a maximum concentration of 0.1% by weight in homogenous materials for lead, hexavalent chromium, and mercury, and 0.01% for cadmium, or qualify for an exemption to these limits as defined in the Annexes of Directive 2000/53/EC (ELV). Regarding the REACH Regulation, the information TE provides on SVHC in articles for this part number is based on the latest European Chemicals Agency (ECHA) 'Guidance on requirements for substances in articles' posted at this URL: <https://echa.europa.eu/guidance-documents/guidance-on-reach>

Compatible Parts



Also in the Series | **MAG-MATE**



Insertion & Extraction Tools(8)

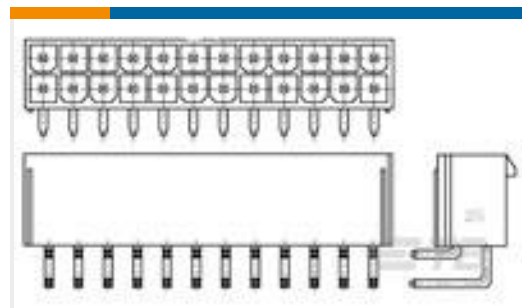
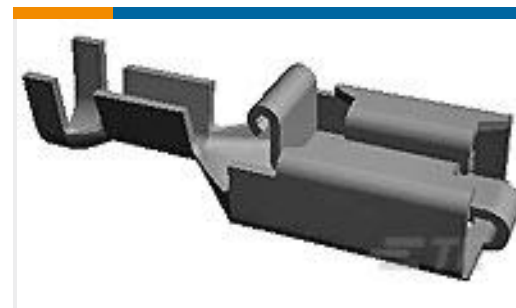
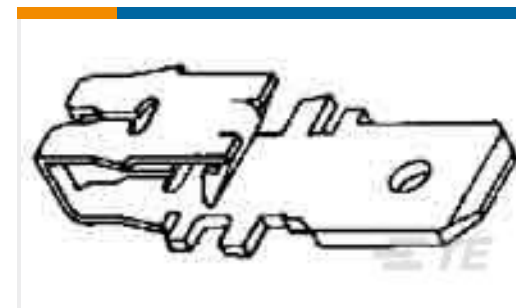


Magnet Wire Terminals(464)



PCB Terminals(1)

Customers Also Bought

TE Part #1586041-8
8P VAL-U-LOK R/A HDR V2TE Part #63881-1
MAG-MATE 250 F. TAB TPBRTE Part #927854-6
PL 250 REC TERMINAL 17-13 AWG
PTPBTE Part #63664-2
MAG-MATE 27-23 187 FTAB TPBRTE Part #735075
250 FASTON HSG. REC. 1P CLEARTE Part #316292-2
3.2 CLUSTER REC L-TYPETE Part #NB25822001
SCL-1/8-0-STKTE Part #925068
250 FASTON HSG. REC. 1P CLEARTE Part #1-1393583-2
C42334A 228A762=RP GEHAEUSE

Documents

Product Drawings

[MAG-MATE 187 FAST TAB 020TPBR](#)

English

CAD Files

[3D PDF](#)

[3D](#)

[Customer View Model](#)

[ENG_CVM_CVM_63665-1_L.2d_dxf.zip](#)



English

Customer View Model

[ENG_CVM_CVM_63665-1_L.3d_igs.zip](#)

English

Customer View Model

[ENG_CVM_CVM_63665-1_L.3d_stp.zip](#)

English

By downloading the CAD file I accept and agree to the [Terms and Conditions](#) of use.

Datasheets & Catalog Pages

[Magnet Wire Terminals & Splices](#)

English

Product Specifications

[Application Specification](#)

English

Product Environmental Compliance

[Product Compliance](#)

English

[Product Compliance](#)

English