

# ModICE® ME-MX

USCAR 1.5mm

## Technology

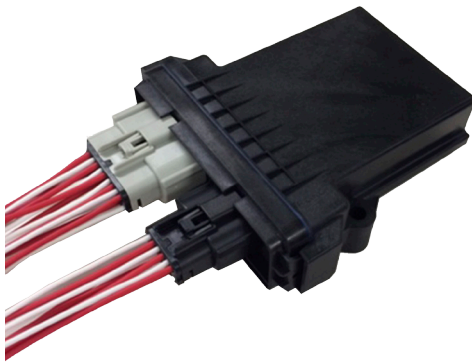
ModICE® is a line of connector enclosures that offers sealed packaging solutions for rugged electronic control modules.

## The ModICE® ME-MX Advantage

- Standard Cinch ME enclosure
- USCAR 1.50mm interface
- Mates to Molex MX150™ 1.5mm connector

## Product Offering

- Main connector - 12, 20, 24, 32 or 40 I/O
- PC board size 4" x 3.35" (103 x 85mm)
- Simple module assembly with snap-in header/PCB
- Enclosure remains sealed even when harness connectors are not mated

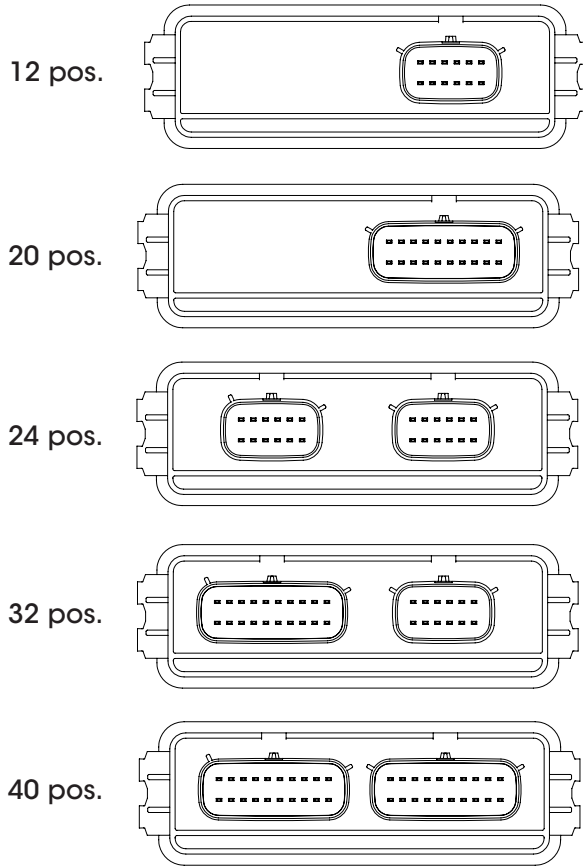


Cinch Connectivity Solutions  
1700 Finley Road  
Lombard, IL 60148 USA

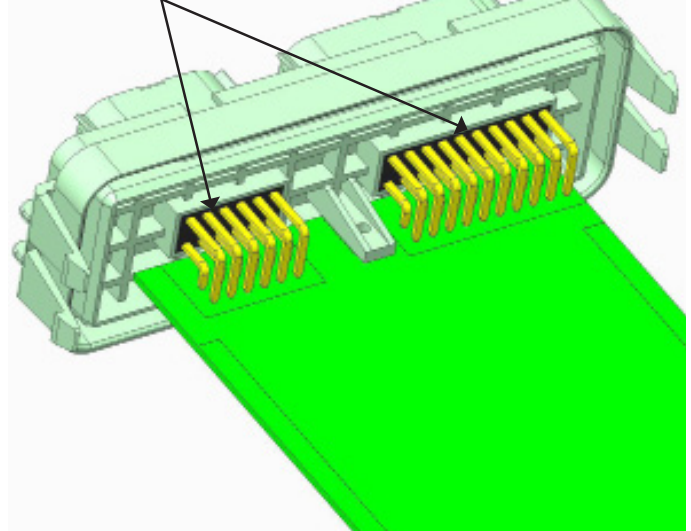
+1 630.705.6000  
inquiry@cinch.com  
[cinch.com](http://cinch.com)

# Parts and Configurations

## Header I/O Arrangement (Face View)



## Epoxy sealed pin fields



### Performance Characteristics

Operating temperature	-40°C to +85°C
Sealing	IP67, IP69K
Current carrying capacity (I/O connector)	10 Amps

### Application Tooling

5991111652	Closing Tool
5991111440	Opening Tool

### Enclosure

5810130065	Standard Enclosure
5810130075	Enclosure with Breather

### Header

	Pos.	Pol.
5810112011	12	12A
5810120011	20	20A
5810124011	24	12A + 12B
5810132011	32	20A + 12B
5810140011	40	20A + 20B

### Harness Connector Mates

	Pos.	Pol.
Molex 33472-12xx	12	A & B
Molex 33472-20xx	20	A & B