

# Component-to-wire connectors **FCI**

## DCS-1

### 3/5/7 way sealed female housings for 2.8 mm terminals

#### Features

- 3-5-7 position housings available
- 5 mm pitch
- Waterproof application with single wire seal
- Flat interface seal
- Additional terminal locking device pre-assembled on front part of the housing
- Metal locking feature
- Mechanical polarization
- Several key codes available
- Several colours available



#### Performance characteristics

- Temperature range:  
from -40°C to +120°C
- Contact retention force: > 80 N
- Contact insertion force:  
< 20 N for DCS-1 standard version  
< 15 N for DCS-1 box version
- Connector mating force: < 90 N
- Sealing protection: IP 67
- Acceptable wire range:  
from 0.35 to 1.5 mm<sup>2</sup>

#### Construction

- Housing material: PBT
- Flat interface seal: Silicone

#### Tooling

- Front device removal tool: Consult us
- Terminal removal tool: Consult us

#### Connector compatibility

- Usable terminals:
  - DCS-1 2.8 mm female terminals (standard version)
  - DCS-1 2.8 mm female terminals (power version)
  - DCS-1 2.8 mm female terminals (box version)

Part Numbers	No. of Position	Terminal size & type	Waterproof	Code	Colour
6 020 05 01	3	2.8 mm DCS-1 Standard/Power	No	1	Black
6 040 03 01	3	2.8 mm DCS-1 Standard/Power	Yes	1	Black
6 040 03 11	3	2.8 mm DCS-1 Standard/Power	Yes	2	Black
6 040 03 06	3	2.8 mm DCS-1 Standard/Power	Yes	1	White
6 040 03 09	3	2.8 mm DCS-1 Standard/Power	Yes	1	Violet
6 040 23 01	3	2.8 mm DCS-1 Standard/Power	Yes	None	Black
6 020 27 01	3	2.8 mm DCS-1 Box	No	1	Black
6 040 38 01	3	2.8 mm DCS-1 Box	Yes	1	Black
6 040 38 11	3	2.8 mm DCS-1 Box	Yes	3	Black
6 020 06 01	5	2.8 mm DCS-1 Standard/Power	No	None	Black
6 020 06 07	5	2.8 mm DCS-1 Standard/Power	No	None	Green
6 040 04 01	5	2.8 mm DCS-1 Standard/Power	Yes	None	Black
6 020 31 01	5	2.8 mm DCS-1 Box	No	None	Black
6 040 50 01	5	2.8 mm DCS-1 Box	Yes	None	Black
6 020 03 01	7	2.8 mm DCS-1 Standard/Power	No	None	Black
6 040 05 01	7	2.8 mm DCS-1 Standard/Power	Yes	1	Black
6 040 05 11	7	2.8 mm DCS-1 Standard/Power	Yes	2	Black

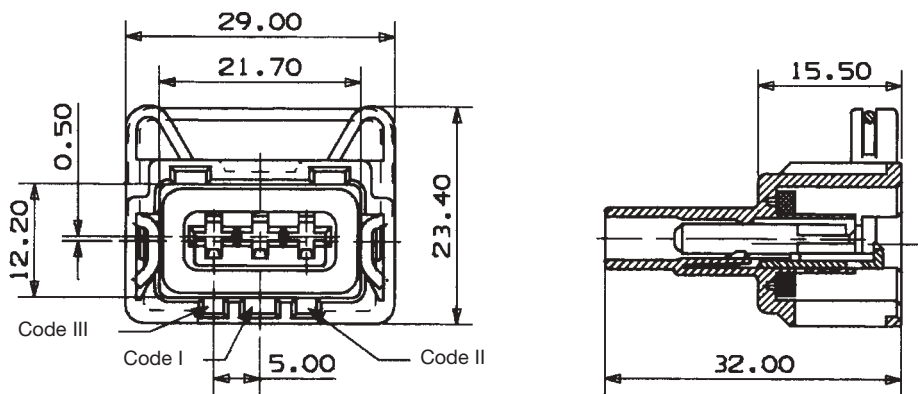
# Component-to-wire connectors **FCI**

DCS-1

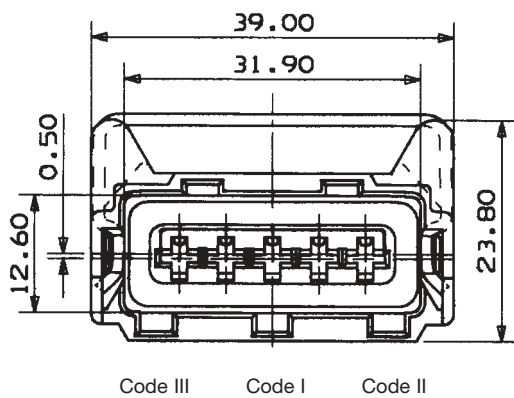
## 3/5/7 way sealed female housings for 2.8 mm terminals

### Dimensional characteristics

3 way housing



5 way housing



7 way housing

