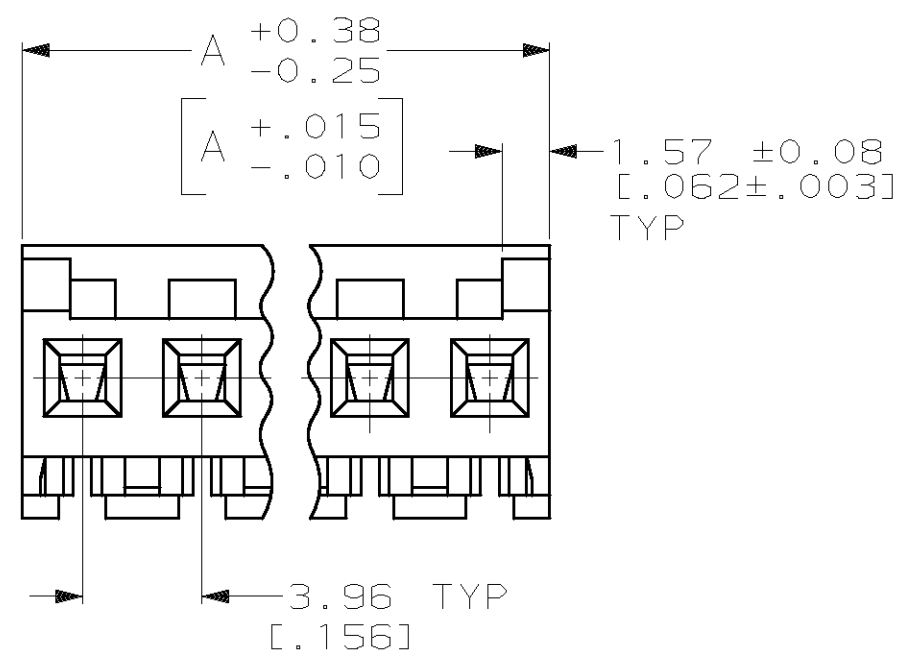
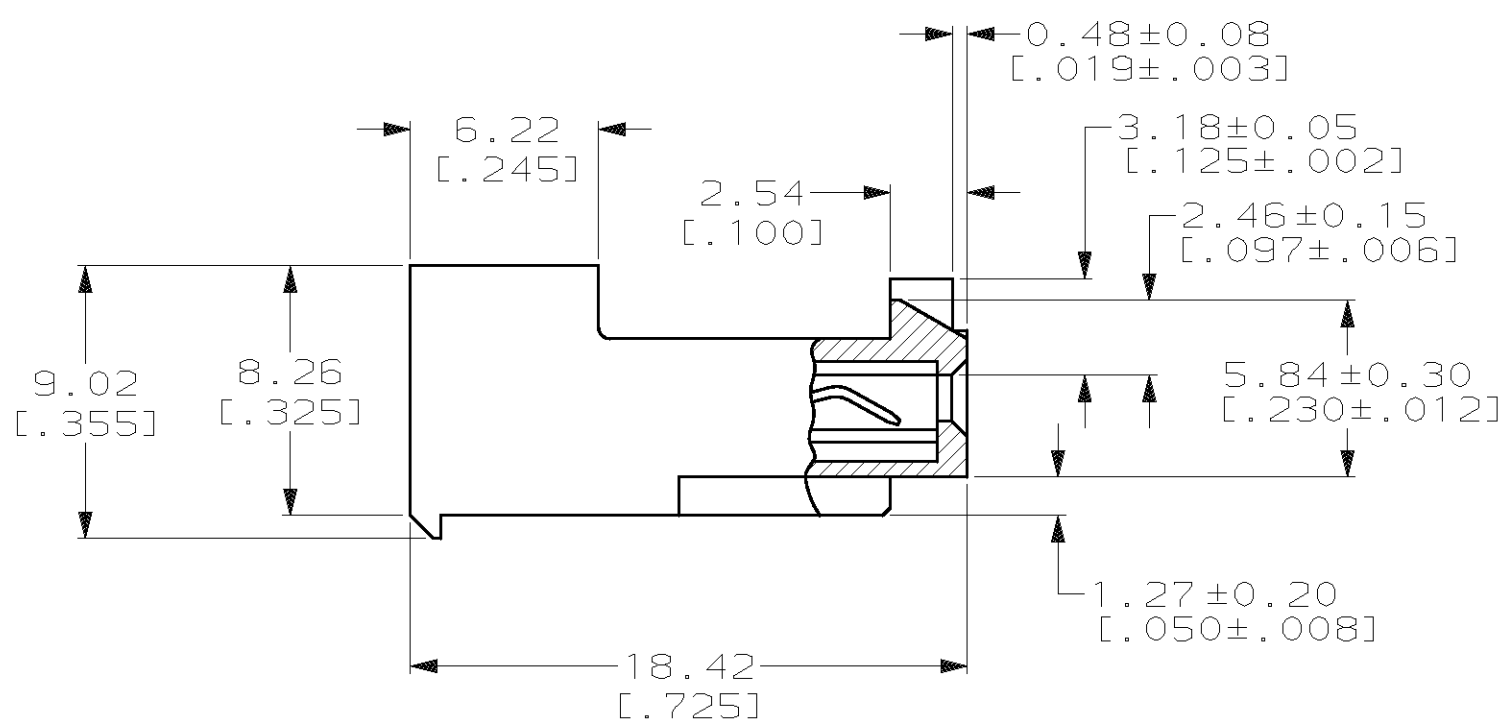
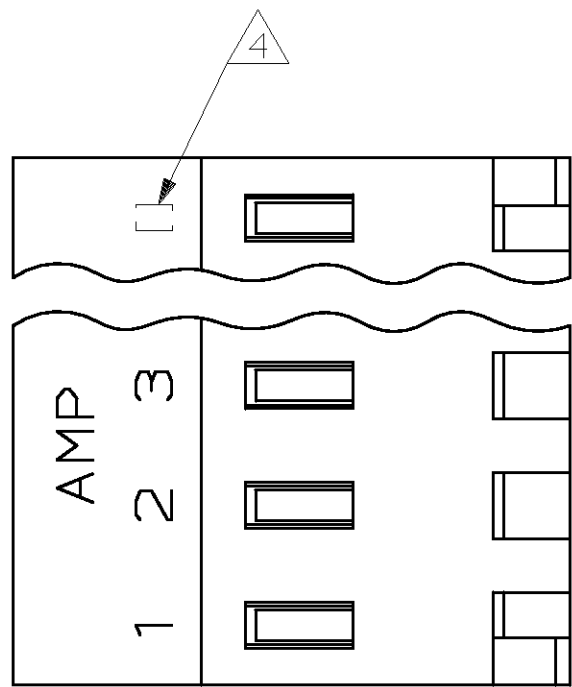


THIS DRAWING IS UNPUBLISHED. RELEASED FOR PUBLICATION, 19 .
 © COPYRIGHT 19 BY AMP INCORPORATED. ALL INTERNATIONAL RIGHTS RESERVED.

LOC	DIST	REVISIONS						
CM	54	P	F	ZONE	LTR	DESCRIPTION	DATE	APPD
					C	RLSD -2 THRU -5, -7 THRU -12 PER EC 0G1B-0169-98	8-20-98	JH RS



① MATERIAL: CONNECTOR - NYLON UL94V-2 (ORANGE).
 CONTACTS - 0.30 [.012] THICK COPPER ALLOY
 (0.00038 [.000015] GOLD)

2. CONTACTS ACCEPT 18 AWG WIRE WITH 2.41 [.095] MAX INSULATION DIAMETER.

3. CONTACTS MUST ACCEPT 1.14 ± 0.03 [.045] POST AND REMAIN LOCKED IN POSITION.

④ IDENTIFICATION NUMBER FOR LAST CIRCUIT MAY NOT APPEAR ON ALL ASSEMBLIES.

5. DIMENSIONS IN BRACKETS ARE IN INCHES.

6. HOUSING FEATURES ARE: CLOSED END WITH LOCKING RAMP AND POLARIZING TAB.

DIM A	NO OF CIRCUITS	PART NO
51.51 [2.028]	12	1-644284-2
47.55 [1.872]	11	1-644284-1
43.59 [1.716]	10	1-644284-0
39.62 [1.560]	9	644284-9
35.66 [1.404]	8	644284-8
31.70 [1.248]	7	644284-7
27.74 [1.092]	6	644284-6
23.77 [.936]	5	644284-5
19.81 [.780]	4	644284-4
15.85 [.624]	3	644284-3
11.89 [.468]	2	644284-2

DO NOT SCALE PRINT. UNLESS SPECIFIED DIMENSIONS IN mm [INCHES] TOLERANCES ON : 2 PLC DEC ± - 3 PLC DEC ± 0.13 [.005] ANGLES ± -	DR 2-12-91 B. LEWIS	AMP Incorporated Harrisburg, PA 17105-3608	
	CHK 2-12-91 R. SWING		
MATERIAL ①	APPD 2-20-91 D. CLARK	PRODUCT SPEC 108-1051	SIZE C
FINISH ①	APPD 2-20-91 D. CLARK	APPLICATION SPEC 114-1020	CAGE CODE 00779
	WEIGHT -		DRAWING NO 644284
			SCALE 4:1
			SHEET 1 OF 1

