

5745652-2 ✓ ACTIVE

AMPLIMITE | AMPLIMITE Kit

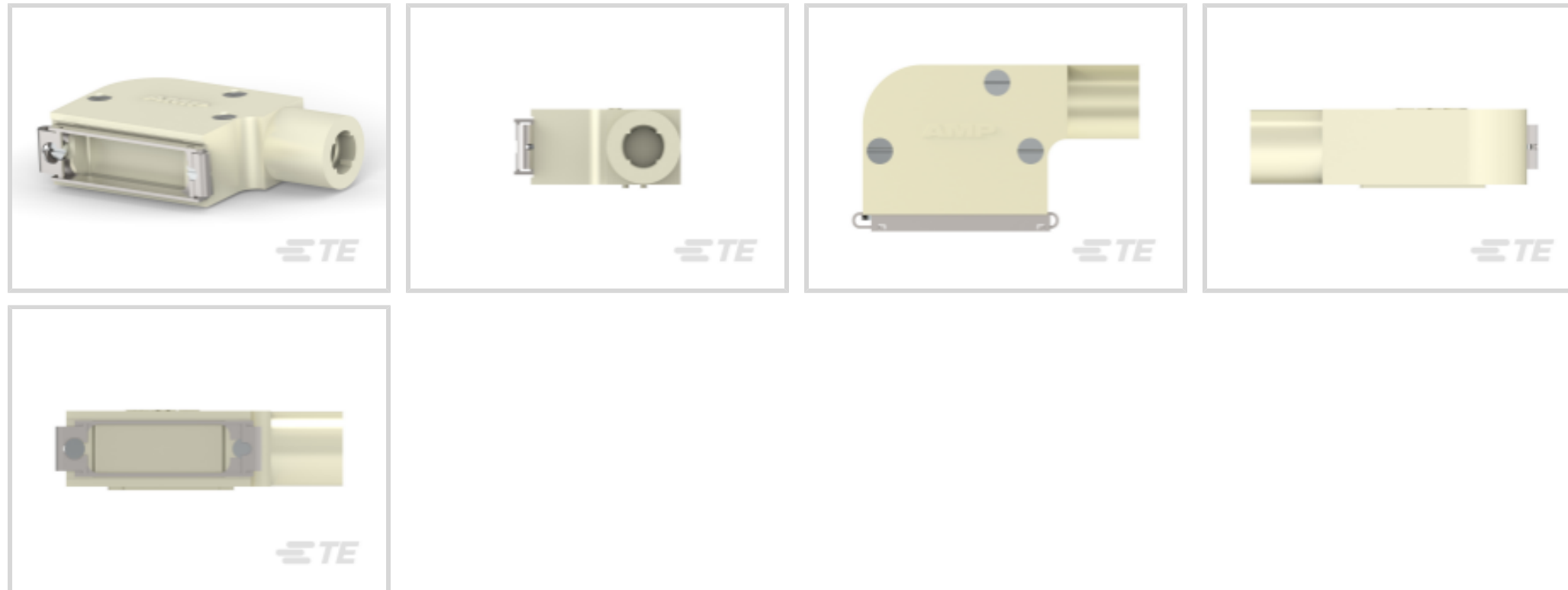
TE Internal #: 5745652-2

D-Sub Backshells & Clamps, Cable Clamp Kit, Two-Piece RFI/EMI Shield, 15 Position, Size 2, Shielded, Cable Exit Angle 90° (Right Angle), AMPLIMITE Kit

[View on TE.com >](#)



Connectors > D-Shaped Connectors > D-Sub Accessories > D-Sub Backshells & Clamps



D-Shaped Connector Accessories: **Cable Clamp Kit**

Cable Clamp Type: **Two-Piece RFI/EMI Shield**

Number of Positions: **15**

Compatible With Connector Shell Size: **2**

Shielded: **Yes**

Features

Product Type Features

Grommets	Without
Slide Latch	With
Product Type	Accessory
D-Shaped Connector Accessories	Cable Clamp Kit
Connector & Contact Terminates To	Wire & Cable

Configuration Features

Number of Positions	15
---------------------	----

Body Features

Shield Plating Material	Nickel over Copper
Cable Clamp Plating Material	Nickel over Copper
Cable Clamp Material	Zinc Alloy
Slide Latch Material	Stainless Steel
Shield Plating Finish	Bright
Cable Clamp Type	Two-Piece RFI/EMI Shield



Cable Exit Angle	90° (Right Angle)
------------------	-------------------

Mechanical Attachment

Screw & Hole Thread Size	4-40
--------------------------	------

Dimensions

Cable Insulation Diameter Range	9.53 mm[.375 in]
---------------------------------	------------------

Usage Conditions

Operating Temperature Range	-55 – 105 °C[-67 – 221 °F]
-----------------------------	----------------------------

Operation/Application

Compatible With Connector Shell Size	2
--------------------------------------	---

Shielded	Yes
----------	-----

Packaging Features

Packaging Quantity	1
--------------------	---

Packaging Method	Bag
------------------	-----

Other

Comment	All parts are packaged unassembled., Each kits is comprised of a two-piece shield with three pan head screws and a slide latch with two 4-40 slide latch screws.
---------	--

Product Compliance

For compliance documentation, visit the product page on [TE.com](https://www.te.com)>

EU RoHS Directive 2011/65/EU	Compliant with Exemptions
------------------------------	---------------------------

EU ELV Directive 2000/53/EC	Compliant with Exemptions
-----------------------------	---------------------------

China RoHS 2 Directive MIIT Order No 32, 2016	Restricted Materials Above Threshold
---	--------------------------------------

EU REACH Regulation (EC) No. 1907/2006	Current ECHA Candidate List: JUNE 2022 (224) Candidate List Declared Against: JUL 2021 (219) SVHC > Threshold: Pb (.35% in Component Part)
--	---

Article Safe Usage Statements:

Do not eat, drink or smoke when using this product. Wash thoroughly after handling. Recycle if possible and dispose of the article by following all applicable governmental regulations relevant to your geographic location.

Halogen Content	Low Halogen - Br, Cl, F, I < 900 ppm per homogenous material. Also BFR/CFR/PVC Free
-----------------	---

Solder Process Capability	Not applicable for solder process capability
---------------------------	--



Product Compliance Disclaimer

This information is provided based on reasonable inquiry of our suppliers and represents our current actual knowledge based on the information they provided. This information is subject to change. The part numbers that TE has identified as EU RoHS compliant have a maximum concentration of 0.1% by weight in homogenous materials for lead, hexavalent chromium, mercury, PBB, PBDE, DBP, BBP, DEHP, DIBP, and 0.01% for cadmium, or qualify for an exemption to these limits as defined in the Annexes of Directive 2011/65/EU (RoHS2). Finished electrical and electronic equipment products will be CE marked as required by Directive 2011/65/EU. Components may not be CE marked. Additionally, the part numbers that TE has identified as EU ELV compliant have a maximum concentration of 0.1% by weight in homogenous materials for lead, hexavalent chromium, and mercury, and 0.01% for cadmium, or qualify for an exemption to these limits as defined in the Annexes of Directive 2000/53/EC (ELV). Regarding the REACH Regulation, the information TE provides on SVHC in articles for this part number is based on the latest European Chemicals Agency (ECHA) 'Guidance on requirements for substances in articles' posted at this URL: <https://echa.europa.eu/guidance-documents/guidance-on-reach>

Compatible Parts

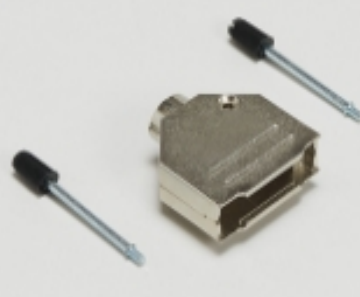


TE Part # 1-745494-5
15 HDE MS PLUG, 22-26, LEAD FREE



TE Part # 1-745494-6
15 HDE MS PLUG, 22-26, LEAD FREE

Also in the Series | AMPLIMITE Kit




D-Sub Backshells & Clamps(135)



D-Sub Contact Accessories(1)



D-Sub Covers(3)



D-Sub Locking & Mounting(122)

Customers Also Bought



TE Part #796450-1
CPC SERIES 1



TE Part #440133-2
2.5MM, HSG, 2POS



TE Part #5-146280-7
07 MODII HDR SRST B/A .100CL



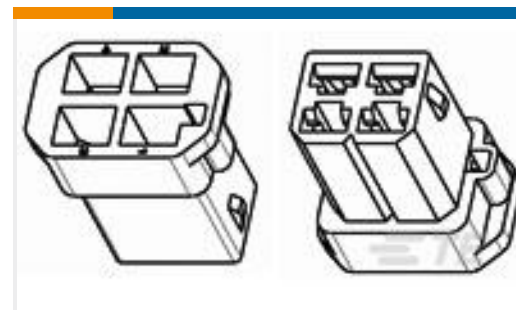
TE Part #3-747579-4
SHLDNG FERRULE, PLTD, BULK PKG



TE Part #2-320568-3
TERMINAL,PIDG R IR 10 8



TE Part #260206-000
CR-108-LSR



TE Part #626057
FASTIN-ON 110 HOUSING TAB NAT
6.6 NYLON



TE Part #ESA002N00310001000
615 PLUG

Documents

Product Drawings

DIECAST STRAIN RELIEF KIT,SZ 2

English

CAD Files

3D PDF

English

Customer View Model

[ENG_CVM_5745652-2_O.2d_dxf.zip](#)

English

Customer View Model

[ENG_CVM_5745652-2_O.3d_igs.zip](#)

English

Customer View Model

[ENG_CVM_5745652-2_O.3d_stp.zip](#)

English

By downloading the CAD file I accept and agree to the [Terms and Conditions](#) of use.

Datasheets & Catalog Pages

AMPLIMITE Subminiature D Connectors - Cable Connectors

English

AMPLIMITE Cable Connectors and Shielding Hardware Kits QRG

English

Product Specifications

Product Specification

English

Product Specification

English

Product Environmental Compliance

[MD_5745652-2_0708201503_dmtec](#)

English

[MD_5745652-2_0708201503_dmtec](#)

English



[Instruction Sheets](#)

[Instruction Sheet \(U.S.\)](#)

English