

63256-2 ✓ ACTIVE

## MAG-MATE

TE Internal #: 63256-2

Magnet Wire Terminals, Tab, Mating Tab Width .187 in [4.75 mm],

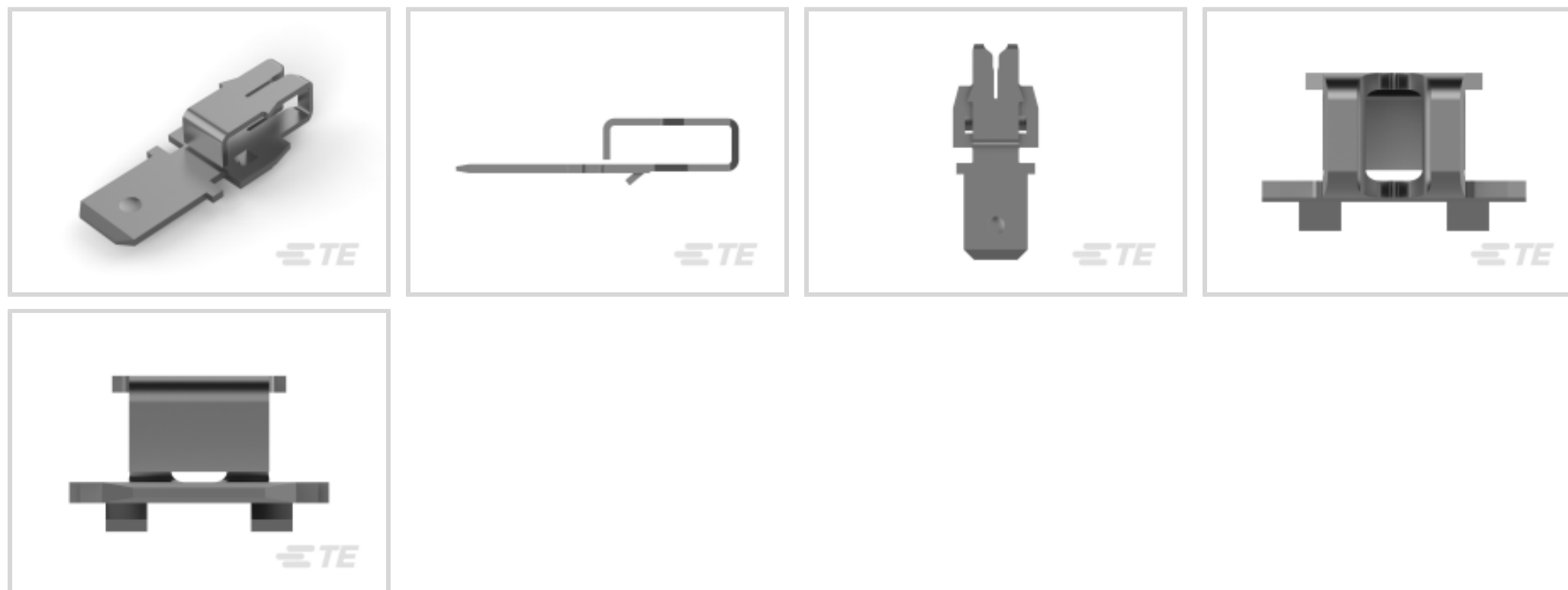
Size 3, .36 – .57 mm Magnet Wire, 27 – 23 AWG Magnet Wire,

MAG-MATE

[View on TE.com >](#)



Terminals & Splices > Magnet Wire Terminals



Magnet Wire Terminal Type: **Tab**

Mating Tab Width: **4.75 mm [ .187 in ]**

Mating Tab Thickness: **.51 mm [ .02 in ]**

Compatible With Cavity Size: **Size 3**

Magnet Wire Size: **.36 – .57 mm**

### Features

#### Product Type Features

Compatible With Discrete Wire Type	Magnet Wire, Solid
------------------------------------	--------------------

#### Body Features

Body Shape	Wide
------------	------

Compatible With Cavity Size	Size 3
-----------------------------	--------

#### Contact Features

Magnet Wire Terminal Type	Tab
---------------------------	-----

Mating Tab Width	4.75 mm[.187 in]
------------------	------------------

Mating Tab Thickness	.51 mm[.02 in]
----------------------	----------------

Terminal Plating Material	Tin
---------------------------	-----

Terminal Orientation	Straight
----------------------	----------

#### Termination Features

Termination Method to Wire & Cable	Insulation Displacement (IDC)
------------------------------------	-------------------------------

#### Mechanical Attachment

Contact Mating Retention Type	Dimple
-------------------------------	--------

### Dimensions

Terminal Height	7.68 mm[.3 in]
Magnet Wire Size	27 – 23 AWG
Stock Thickness (Magnet Wire Side)	.41 mm[.016 in]
Overall Product Length	16 mm[.63 in]

### Usage Conditions

Insulation Option	Uninsulated
-------------------	-------------

### Operation/Application

Compatible With Wire Base Material	Aluminum, Copper
------------------------------------	------------------

### Identification Marking

Identification Number	10
-----------------------	----

### Packaging Features

Packaging Quantity	6500
Packaging Method	Reel, Reel/Carton

### Other

Comment	Two magnet wires may be terminated in the same terminal slot if diameters are equal.
---------	--

### Product Compliance

[For compliance documentation, visit the product page on TE.com>](#)

EU RoHS Directive 2011/65/EU	Compliant
EU ELV Directive 2000/53/EC	Compliant
China RoHS 2 Directive MIIT Order No 32, 2016	No Restricted Materials Above Threshold
EU REACH Regulation (EC) No. 1907/2006	Current ECHA Candidate List: JUNE 2022 (224) Candidate List Declared Against: JAN 2021 (211) SVHC > Threshold: Not Yet Reviewed
Halogen Content	Low Halogen - Br, Cl, F, I < 900 ppm per homogenous material. Also BFR/CFR/PVC Free
Solder Process Capability	Not applicable for solder process capability

## Product Compliance Disclaimer

This information is provided based on reasonable inquiry of our suppliers and represents our current actual knowledge based on the information they provided. This information is subject to change. The part numbers that TE has identified as EU RoHS compliant have a maximum concentration of 0.1% by weight in homogenous materials for lead, hexavalent chromium, mercury, PBB, PBDE, DBP, BBP, DEHP, DIBP, and 0.01% for cadmium, or qualify for an exemption to these limits as defined in the Annexes of Directive 2011/65/EU (RoHS2). Finished electrical and electronic equipment products will be CE marked as required by Directive 2011/65/EU. Components may not be CE marked. Additionally, the part numbers that TE has identified as EU ELV compliant have a maximum concentration of 0.1% by weight in homogenous materials for lead, hexavalent chromium, and mercury, and 0.01% for cadmium, or qualify for an exemption to these limits as defined in the Annexes of Directive 2000/53/EC (ELV). Regarding the REACH Regulation, the information TE provides on SVHC in articles for this part number is based on the latest European Chemicals Agency (ECHA) 'Guidance on requirements for substances in articles' posted at this URL: <https://echa.europa.eu/guidance-documents/guidance-on-reach>

## Compatible Parts



Also in the Series | **MAG-MATE**



Insertion &amp; Extraction Tools(8)



Magnet Wire Terminals(464)



PCB Terminals(1)

## Customers Also Bought



TE Part #52856-1  
 TERMINAL,PG SPD FLG 12-10 10



TE Part #2-1601056-1  
 131-120-000=WIRE2WIRE,STD,SMZ

## Documents

### Product Drawings

#### MAG-MATE 187 FAST TAB

English

### CAD Files

#### 3D PDF

3D

#### Customer View Model

[ENG\\_CVM\\_CVM\\_63256-2\\_S\\_c-63256-2-s.2d\\_dxf.zip](#)

English

#### Customer View Model

[ENG\\_CVM\\_CVM\\_63256-2\\_S\\_c-63256-2-s.3d\\_igs.zip](#)

English

#### Customer View Model

[ENG\\_CVM\\_CVM\\_63256-2\\_S\\_c-63256-2-s.3d\\_stp.zip](#)

English

By downloading the CAD file I accept and agree to the [Terms and Conditions](#) of use.

### Datasheets & Catalog Pages

#### Magnet Wire Terminals & Splices

English

### Product Specifications

#### Application Specification

English

#### Application Specification



Japanese

**MAG-MATE Standard Series .300 Box Height Special Latch Type Terminal**

Japanese

---

**Product Environmental Compliance**

Product Compliance

English

Product Compliance

English