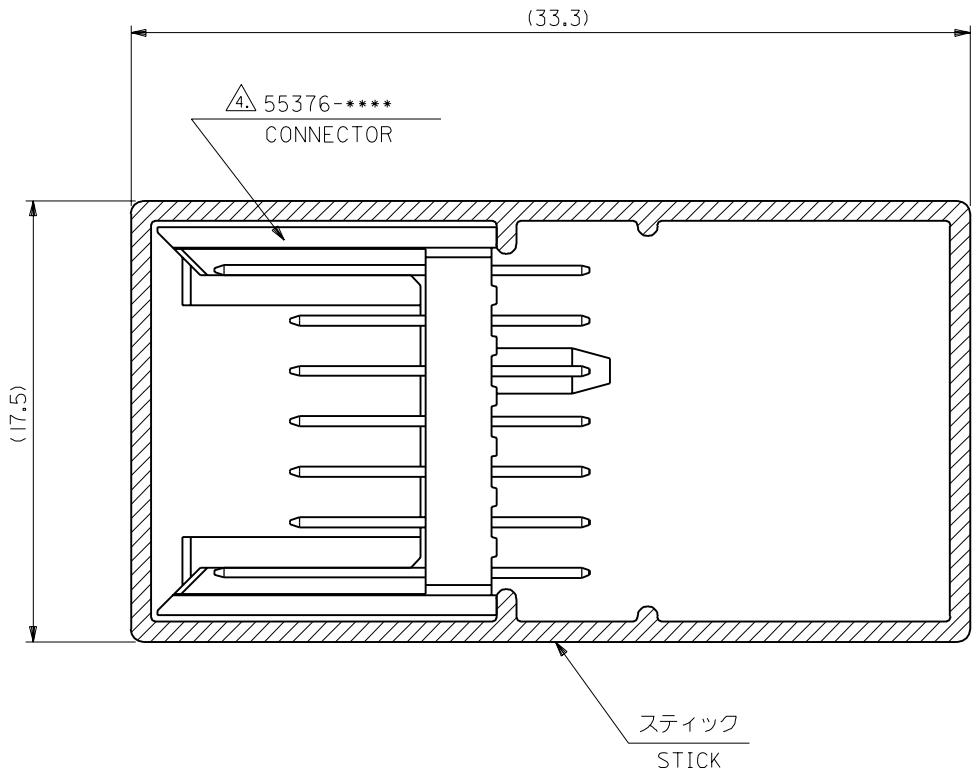


DWG. NO. SD-55376-010



注記
NOTES

1. スティック両端はテープ止め。
BOTH ENDS WITH TAPES.
 2. 全長：600±2
TOTAL LENGTH: 600±2
 3. 肉厚：0.8±0.2
THICKNESS: 0.8±0.2
- △ 表参照。
REFER TO TABLE.

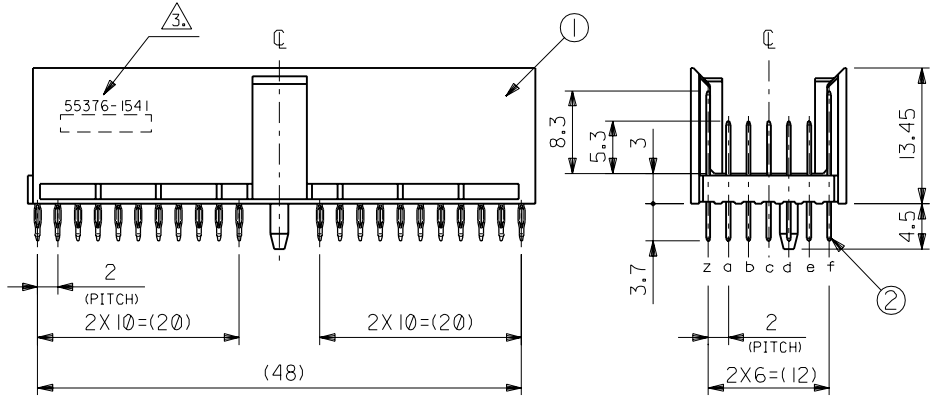
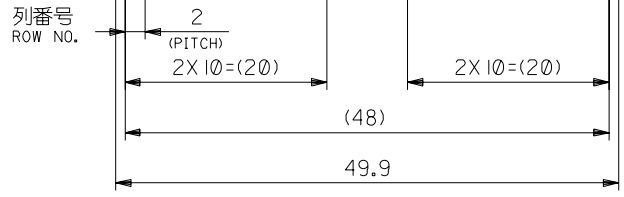
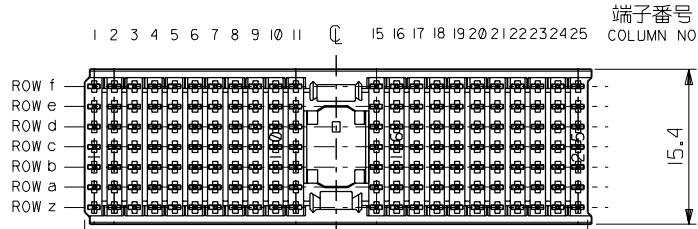
II	55376-1541	55376-1549	154
II	55376-1101	55376-1109	110
梱包数 QUANTITY	CONNECTOR	MATERIAL NO.	極数 PIN

DO NOT SCALE DRAWING

EC NO. DRWN: CHK: APPR:	EC NO. DRWN: CHK: APPR:	REVISED EC NO. J2002-1416 DRWN: S.ANDO '00/12/07 CHK: A.NODA '00/12/07 APPR: A.NODA '00/12/07	REVISED EC NO. JD2000-1219 DRWN: S.ANDO '00/06/08 CHK: A.NODA '00/06/08 APPR: H.IKESUGI '00/06/08	RELEASED EC NO. JD2000-1029 DRWN: S.ANDO '00/04/06 CHK: A.NODA '00/04/06 APPR: H.IKESUGI '00/04/06	DESCRIPTION	MATERIAL 材料 スティック：ポリ塩化ビニル STICK: PVC	GENERAL TOLERANCES: (UNLESS SPECIFIED) 一般公差	SCALE 5-1	DESIGN UNITS mm INCH	THIRD ANGLE PROJECTION	DIMENSIONS: mm INCH mm INCH	SHT REV
					FINISH 仕上げ		10 UNDER 未満	±0.2	DRAWN BY & DATE S. Ando '00/03/31	TITLE: "MZP" B/B CONN. PLUG STRAIGHT ASS'Y TYPE A SHORT TAIL STICK PACKAGING FOR 55376-1101/1541		
					WIRE RANGE 適用電線範囲		10 OVER 以上	±0.25	CHECKED BY & DATE A. Noda '00/03/31	MOLEX INCORPORATED		
					INS. RANGE 被覆外径		30 OVER 以上	±0.3	APPROVED BY & DATE S. Ando '00/03/31	MATERIAL NO. SEE TABLE	DRAWING NO. SD-55376-010	SHEET NO. 1 OF 1
							ANGLE 角度	±3°	CAD FILENAME SD-55376-010.S01			SIZE B
THIS DRAWING CONTAINS INFORMATION THAT IS PROPRIETARY TO MOLEX INCORPORATED AND SHOULD NOT BE USED WITHOUT WRITTEN PERMISSION.												

SD-55376-010.S01

DWG. NO. SD-55376-014

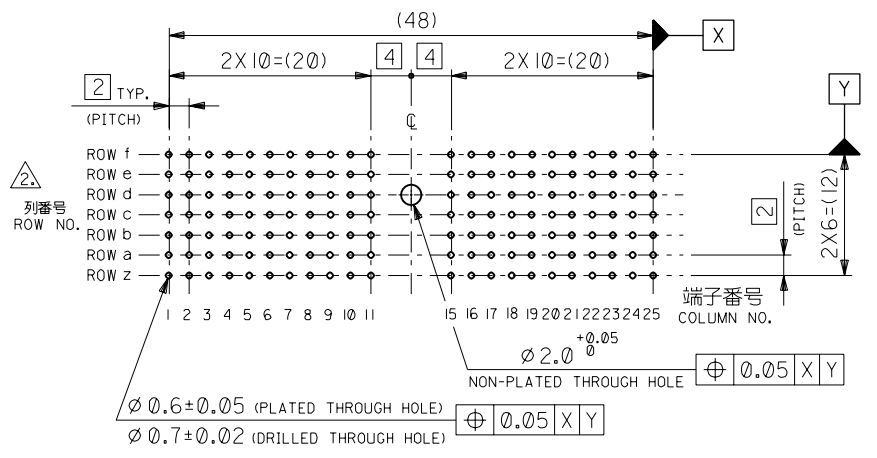


注記 NOTES

- ① ターミナルめっき仕様
TERMINAL PLATING
接点部：金めっき 0.8 μm MIN.
CONTACT AREA : GOLD 0.8 μm MIN.
下地：ニッケルめっき 1.3 μm MIN.
UNDER PLATING : NICKEL 1.3 μm MIN.
- ② f 列及び z 列はシールドフレーム用基板穴。
THROUGH HOLE OF ROW f AND ROW z FOR SHIELDING FRAME.

- ③ 製品番号及びロットナンバー
MATERIAL NO. & LOT NO.
- 4. コネクタはスティック梱包とする。
CONNECTOR IS STICK PACKAGING.
SD-55376-010 を参照のこと。
REFER TO SD-55376-010.

番号 NO.	部品 PART NAME	材質 MATERIAL	仕上げ FINISH
①	プラグ ハウジング PLUG HOUSING	ポリエステル, ガラス充填, 灰色, UL94V-0 PBT GLASS FILLED, GRAY, UL94V-0	—
②	プラグ ピン PLUG PIN	リン青銅 PHOSPHOR BRONZE	△



基板穴推奨寸法 (バックプレーン側)
RECOMMENDED P.C.B. LAYOUT (BACKPLANE)

推奨基板厚：1.4~5.6mm
RECOMMENDED P.C.B. THICKNESS: 1.4~5.6mm

55376-1549	55376-1541	154
STICK PACKAGING	MATERIAL NO.	極数 PIN

DO NOT SCALE DRAWING

EC NO. DRAWN: CH'K: APPR:	EC NO. DRAWN: CH'K: APPR:	EC NO. DRAWN: CH'K: APPR:	REVISED EC NO. J2002-1416 DRWN: S.ANDO '01/2/07 CH'K: A.NODA '01/2/07 APPR: A.NODA '01/2/07 RELEASED EC NO. JD2000-0574 DRWN: S.ANDO '99/07/14 CH'K: A.NODA '99/12/14 APPR: H.IKESUGI '99/12/14	MATERIAL 材料 —	FINISH 仕上げ —	WIRE RANGE 適用電線範囲 —	INS. RANGE 被覆外径 —	GENERAL TOLERANCES: (UNLESS SPECIFIED) 一般公差 10 UNDER 未満 ±0.2 10 OVER 以上 30 UNDER 未満 ±0.25 30 OVER 以上 ±0.3	SCALE 2-1 DESIGN UNITS <input checked="" type="checkbox"/> mm <input type="checkbox"/> INCH DRAWN BY & DATE S. Ando '99/12/14 CHECKED BY & DATE A. Noda '99/12/14 APPROVED BY & DATE H. Ando '99/12/14 CAD FILE NAME SD-55376-014.S01	TITLE: "MZP" B/B CONN. PLUG STRAIGHT ASS'Y TYPE A (7 ROW) MOLEX INCORPORATED	DIMENSIONS: <input type="checkbox"/> mm <input type="checkbox"/> INCH <input checked="" type="checkbox"/> mm ONLY SHT REV REVISE ON CAD ONLY	MATERIAL NO. DRAWING NO. SHEET NO.
			A									SD-55376-014
			0									1 OF 1

SD-55376-014.S01