

( )

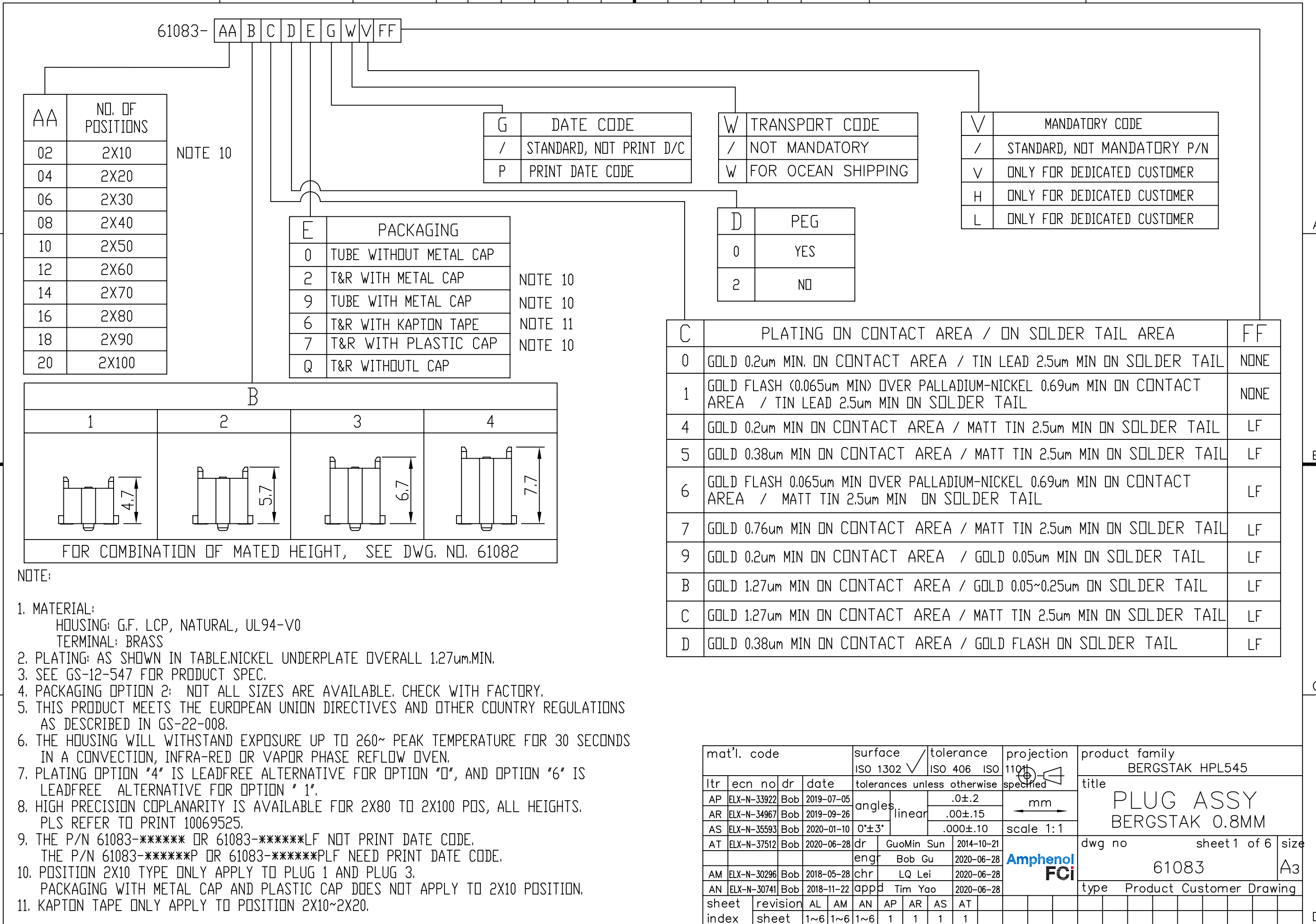
( )

( )

( )

© 2016 AFCI

Amphenol  
FCI



AA	NO. OF POSITIONS
02	2X10
04	2X20
06	2X30
08	2X40
10	2X50
12	2X60
14	2X70
16	2X80
18	2X90
20	2X100

NOTE 10

E	PACKAGING
0	TUBE WITHOUT METAL CAP
2	T&R WITH METAL CAP
9	TUBE WITH METAL CAP
6	T&R WITH KAPTON TAPE
7	T&R WITH PLASTIC CAP
Q	T&R WITHOUT CAP

NOTE 10  
NOTE 10  
NOTE 11  
NOTE 10

G	DATE CODE
/	STANDARD, NOT PRINT D/C
P	PRINT DATE CODE

W	TRANSPORT CODE
/	NOT MANDATORY
W	FOR OCEAN SHIPPING

V	MANDATORY CODE
/	STANDARD, NOT MANDATORY P/N
V	ONLY FOR DEDICATED CUSTOMER
H	ONLY FOR DEDICATED CUSTOMER
L	ONLY FOR DEDICATED CUSTOMER

D	PEG
0	YES
2	NO

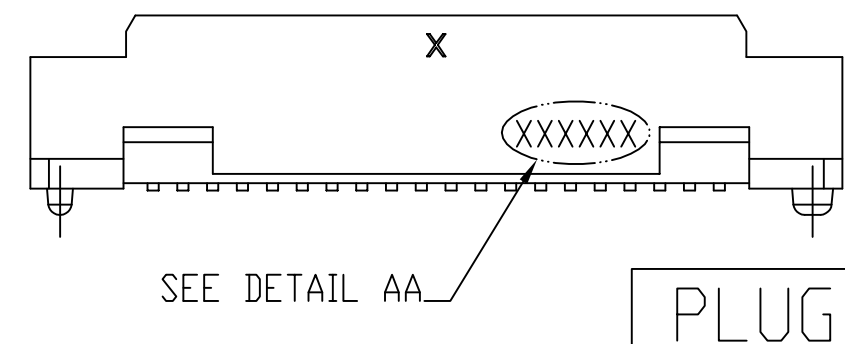
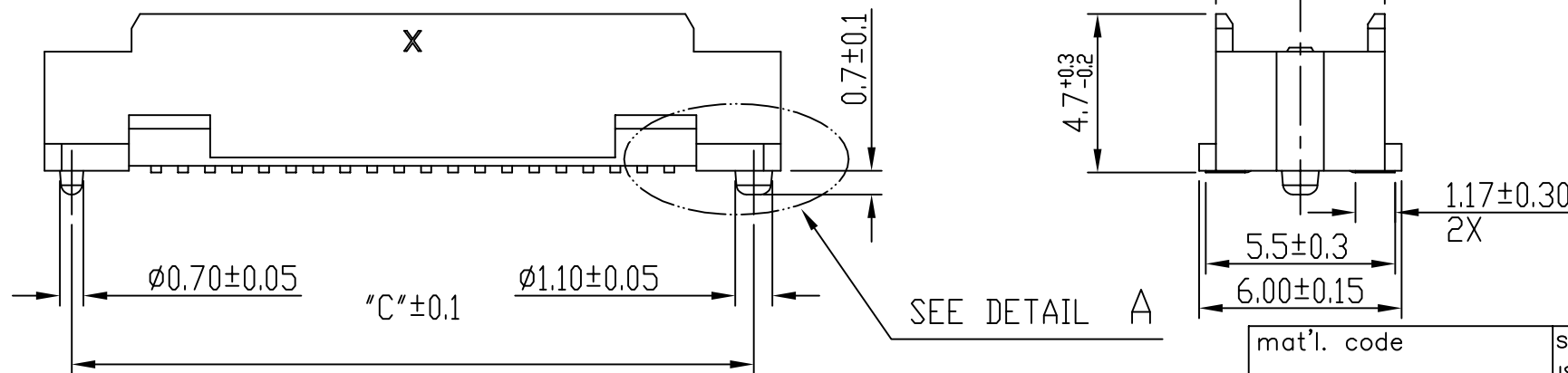
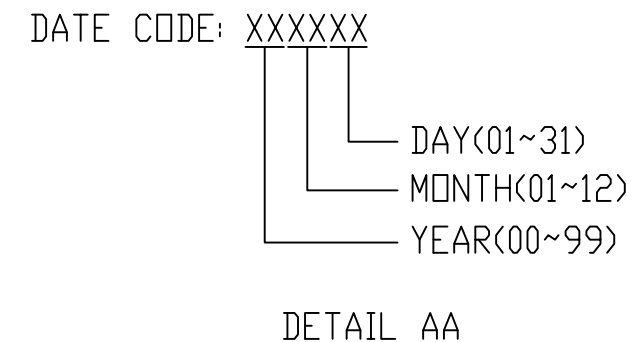
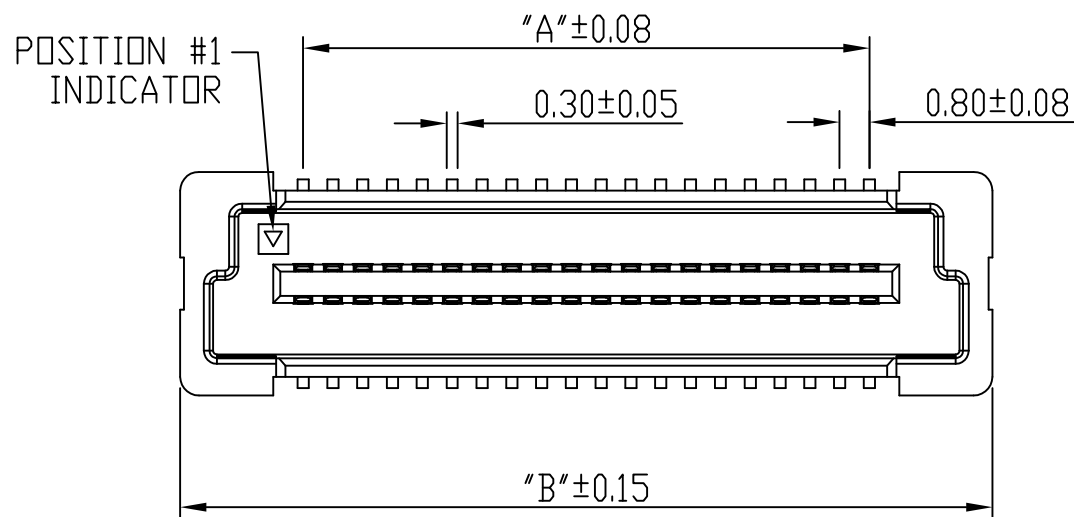
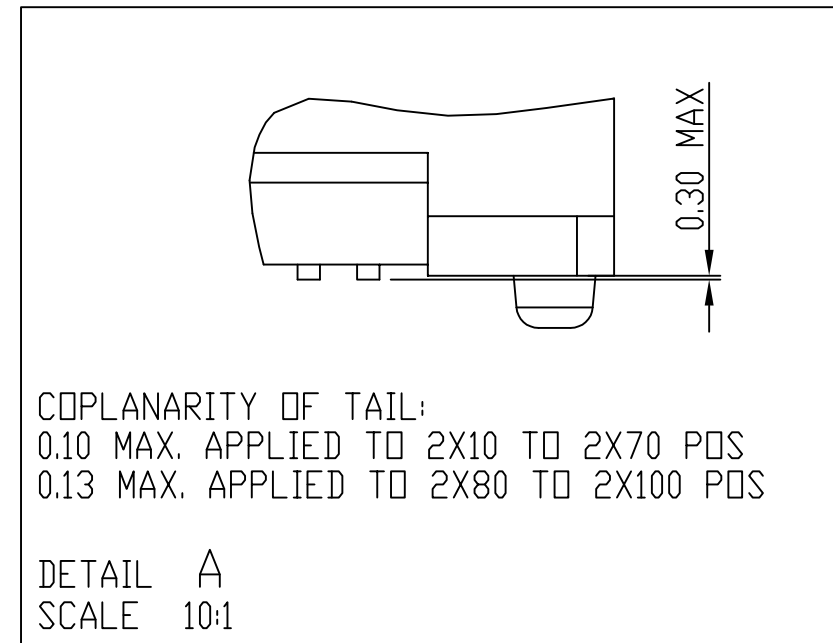
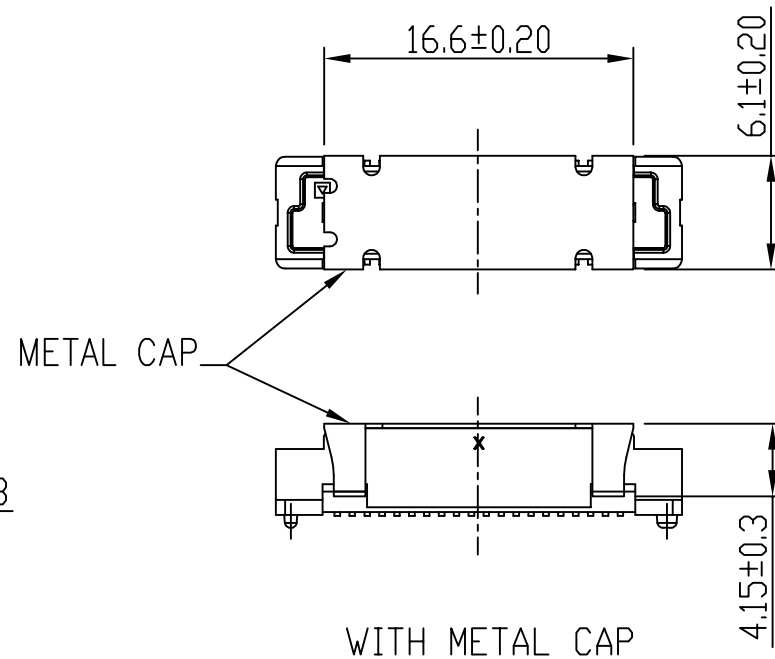
C	PLATING ON CONTACT AREA / ON SOLDER TAIL AREA	FF
0	GOLD 0.2um MIN. ON CONTACT AREA / TIN LEAD 2.5um MIN ON SOLDER TAIL	NONE
1	GOLD FLASH (0.065um MIN) OVER PALLADIUM-NICKEL 0.69um MIN ON CONTACT AREA / TIN LEAD 2.5um MIN ON SOLDER TAIL	NONE
4	GOLD 0.2um MIN ON CONTACT AREA / MATT TIN 2.5um MIN ON SOLDER TAIL	LF
5	GOLD 0.38um MIN ON CONTACT AREA / MATT TIN 2.5um MIN ON SOLDER TAIL	LF
6	GOLD FLASH 0.065um MIN OVER PALLADIUM-NICKEL 0.69um MIN ON CONTACT AREA / MATT TIN 2.5um MIN ON SOLDER TAIL	LF
7	GOLD 0.76um MIN ON CONTACT AREA / MATT TIN 2.5um MIN ON SOLDER TAIL	LF
9	GOLD 0.2um MIN ON CONTACT AREA / GOLD 0.05um MIN ON SOLDER TAIL	LF
B	GOLD 1.27um MIN ON CONTACT AREA / GOLD 0.05~0.25um ON SOLDER TAIL	LF
C	GOLD 1.27um MIN ON CONTACT AREA / MATT TIN 2.5um MIN ON SOLDER TAIL	LF
D	GOLD 0.38um MIN ON CONTACT AREA / GOLD FLASH ON SOLDER TAIL	LF

NOTE:

- MATERIAL:  
HOUSING: G.F. LCP, NATURAL, UL94-V0  
TERMINAL: BRASS
- PLATING: AS SHOWN IN TABLE. NICKEL UNDERPLATE OVERALL 1.27um MIN.
- SEE GS-12-547 FOR PRODUCT SPEC.
- PACKAGING OPTION 2: NOT ALL SIZES ARE AVAILABLE. CHECK WITH FACTORY.
- THIS PRODUCT MEETS THE EUROPEAN UNION DIRECTIVES AND OTHER COUNTRY REGULATIONS AS DESCRIBED IN GS-22-008.
- THE HOUSING WILL WITHSTAND EXPOSURE UP TO 260~ PEAK TEMPERATURE FOR 30 SECONDS IN A CONVECTION, INFRA-RED OR VAPOR PHASE REFLOW OVEN.
- PLATING OPTION "4" IS LEADFREE ALTERNATIVE FOR OPTION "0", AND OPTION "6" IS LEADFREE ALTERNATIVE FOR OPTION "1".
- HIGH PRECISION COPLANARITY IS AVAILABLE FOR 2X80 TO 2X100 POS, ALL HEIGHTS. PLS REFER TO PRINT 10069525.
- THE P/N 61083-\*\*\*\*\* OR 61083-\*\*\*\*\*LF NOT PRINT DATE CODE.  
THE P/N 61083-\*\*\*\*\*P OR 61083-\*\*\*\*\*PLF NEED PRINT DATE CODE.
- POSITION 2X10 TYPE ONLY APPLY TO PLUG 1 AND PLUG 3.  
PACKAGING WITH METAL CAP AND PLASTIC CAP DOES NOT APPLY TO 2X10 POSITION.
- KAPTON TAPE ONLY APPLY TO POSITION 2X10~2X20.

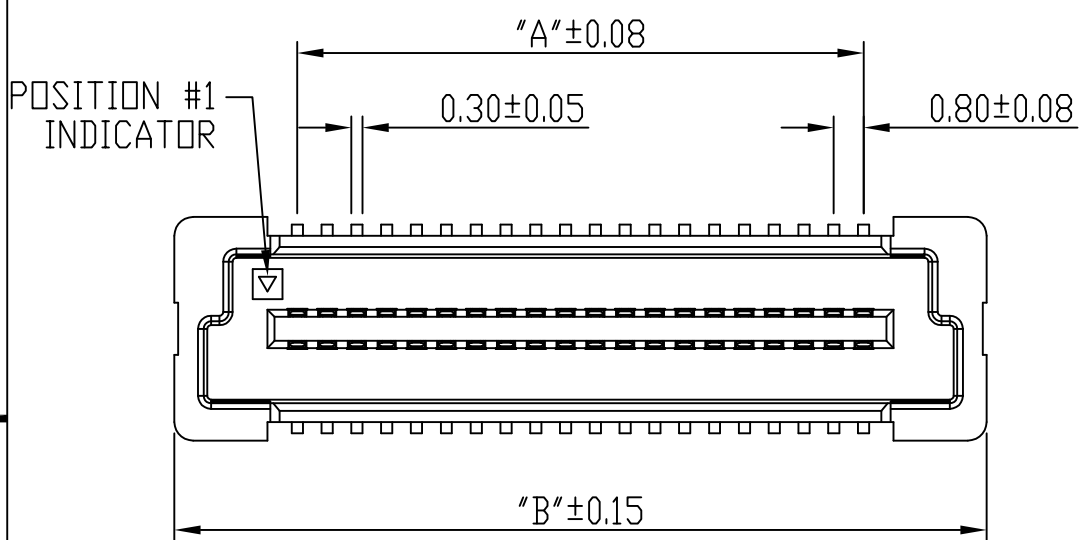
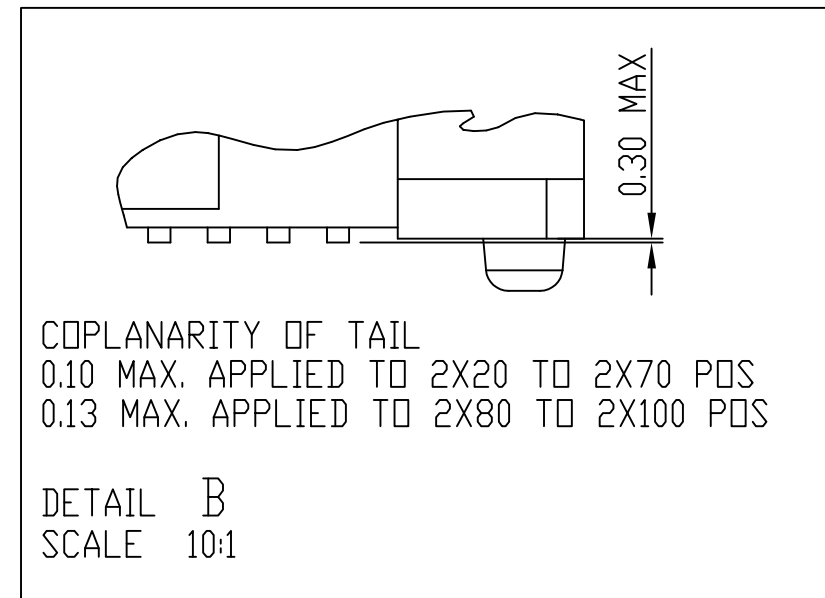
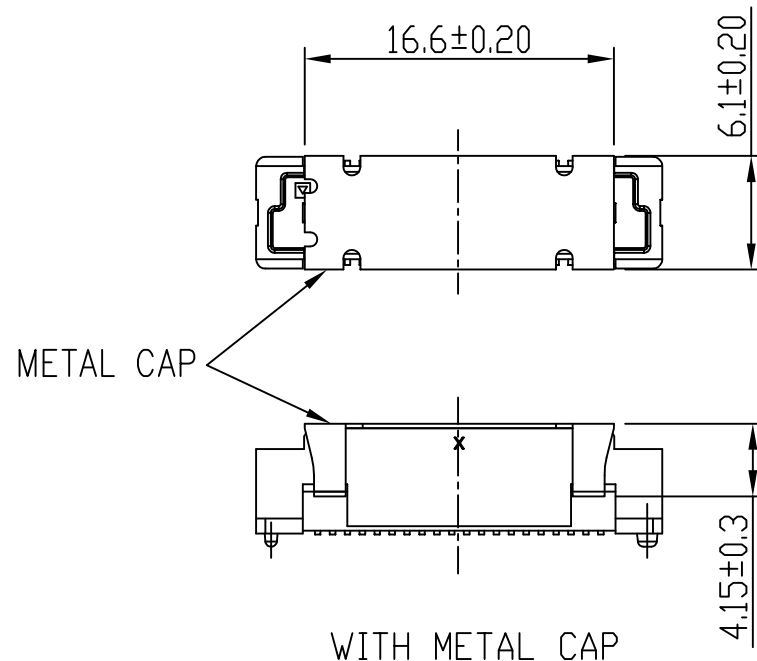
mat'l. code		surface ISO 1302 ✓		tolerance ISO 406 ISO 1101		projection 1101		product family BERGSTAK HPL545	
Itr		ecn no		dr		date		title	
AP		ELX-N-33922		Bob		2019-07-05		PLUG ASSY BERGSTAK 0.8MM	
AR		ELX-N-34967		Bob		2019-09-26			
AS		ELX-N-35593		Bob		2020-01-10			
AT		ELX-N-37512		Bob		2020-06-28		dwg no 61083 sheet 1 of 6 size A3	
AM		ELX-N-30296		Bob		2018-05-28		type Product Customer Drawing	
AN		ELX-N-30741		Bob		2018-11-22			
sheet		revision		AL		AM			
index		sheet		1~6		1~6			

PRODUCT NO.	NO. OF POSITION	DIMENSION		
		A	B	C
61083-021***	2X10	7.2	13.8	12.2
61083-041***	2X20	15.2	21.8	20.2
61083-061***	2X30	23.2	29.8	28.2
61083-081***	2X40	31.2	37.8	36.2
61083-101***	2X50	39.2	45.8	44.2
61083-121***	2X60	47.2	53.8	52.2
61083-141***	2X70	55.2	61.8	60.2
61083-161***	2X80	63.2	69.8	68.2
61083-181***	2X90	71.2	77.8	76.2
61083-201***	2X100	79.2	85.8	84.2

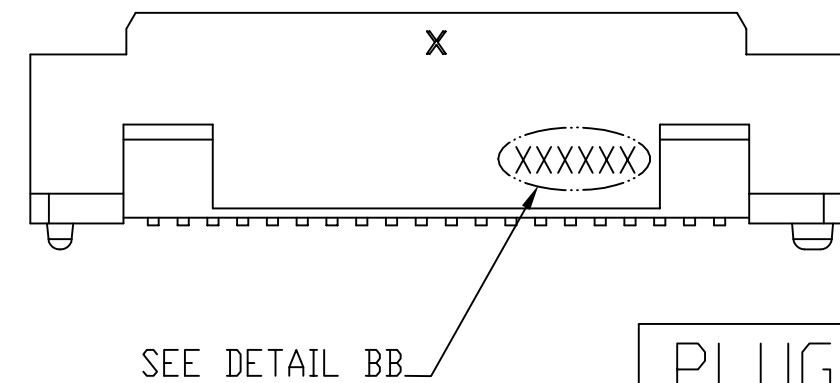
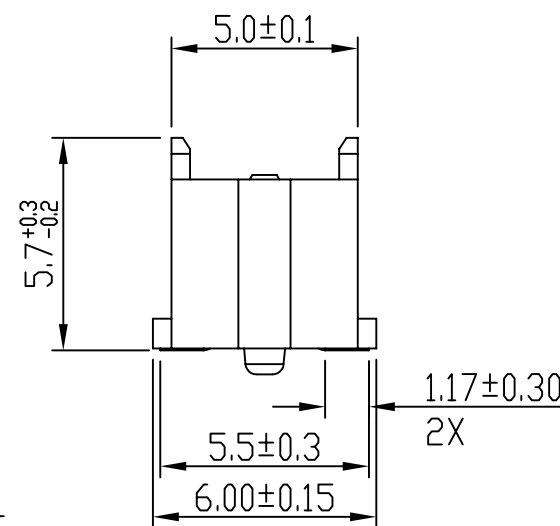
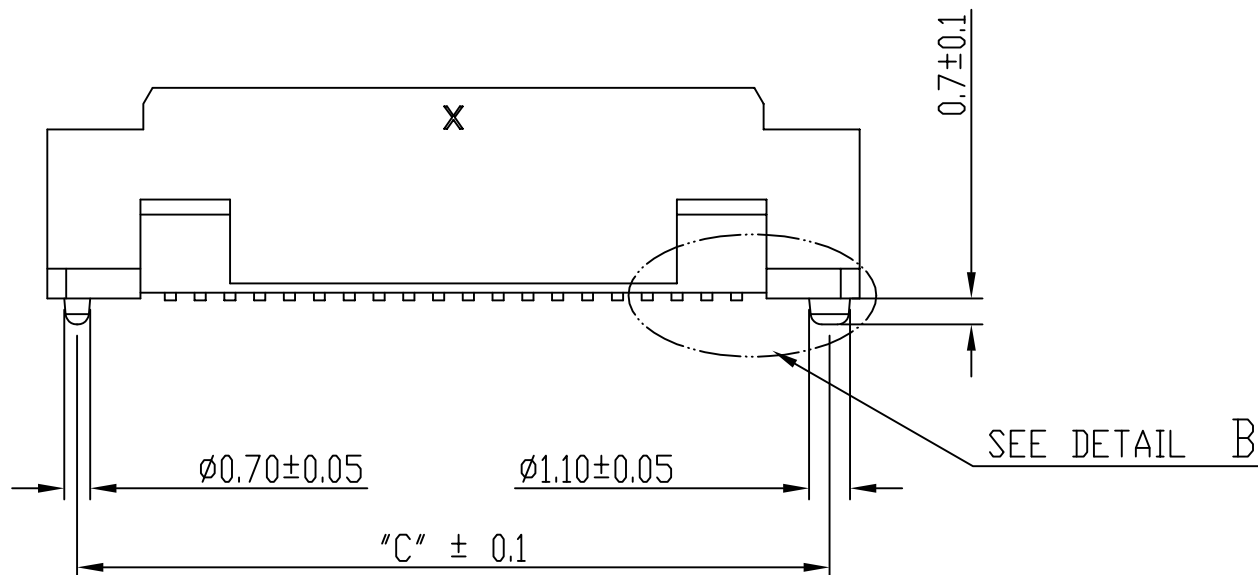


mat'l. code		surface ISO 1302 ✓		tolerance ISO 406 ISO 1101		projection 1101		product family BERGSTAK HPL545	
ltr		ecn no		dr		date		title	
AT								PLUG ASSY BERGSTAK 0.8MM	
								dwg no 61083	
								sheet 2 of 6	
								size A3	
								type Product Customer Drawing	
sheet index		revision		AT					
sheet 1									

PRODUCT NO.	NO. OF POSITION	DIMENSION		
		A	B	C
61083-042***	2X20	15.2	21.8	20.2
61083-062***	2X30	23.2	29.8	28.2
61083-082***	2X40	31.2	37.8	36.2
61083-102***	2X50	39.2	45.8	44.2
61083-122***	2X60	47.2	53.8	52.2
61083-142***	2X70	55.2	61.8	60.2
61083-162***	2X80	63.2	69.8	68.2
61083-182***	2X90	71.2	77.8	76.2
61083-202***	2X100	79.2	85.8	84.2

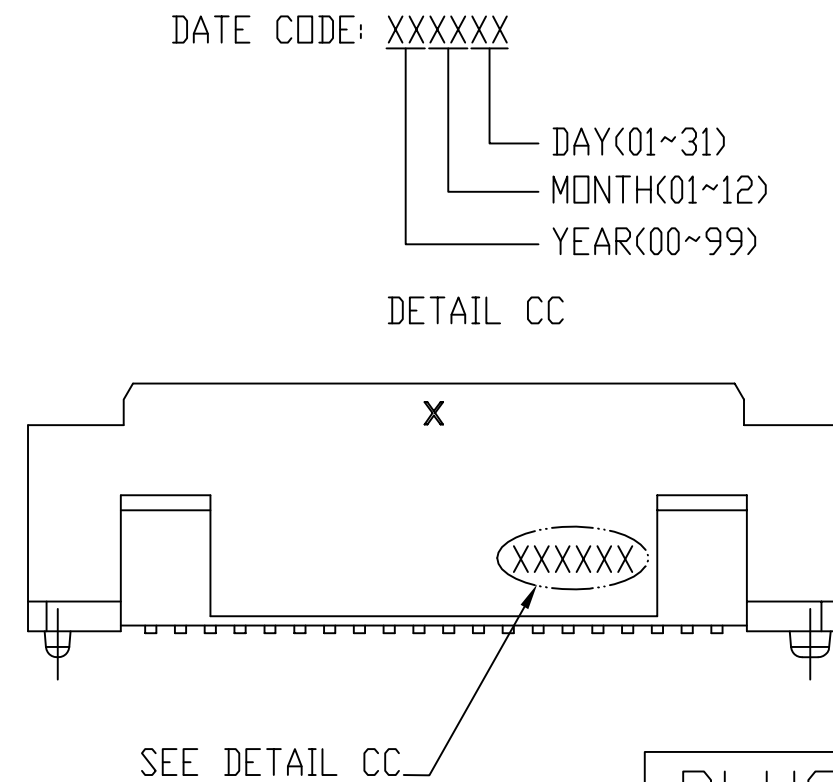
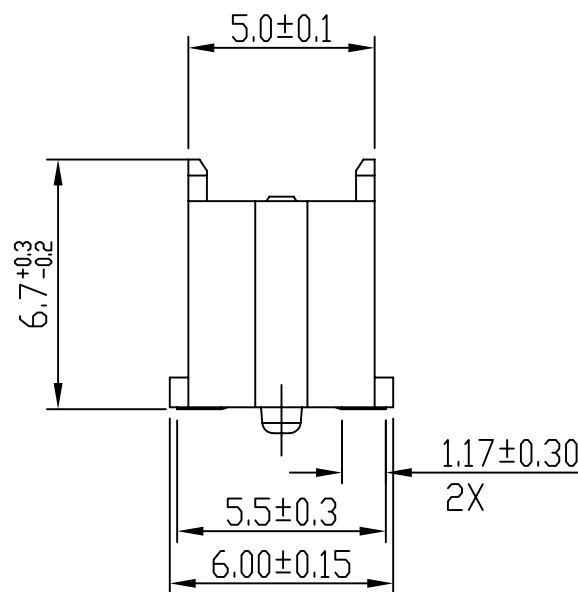
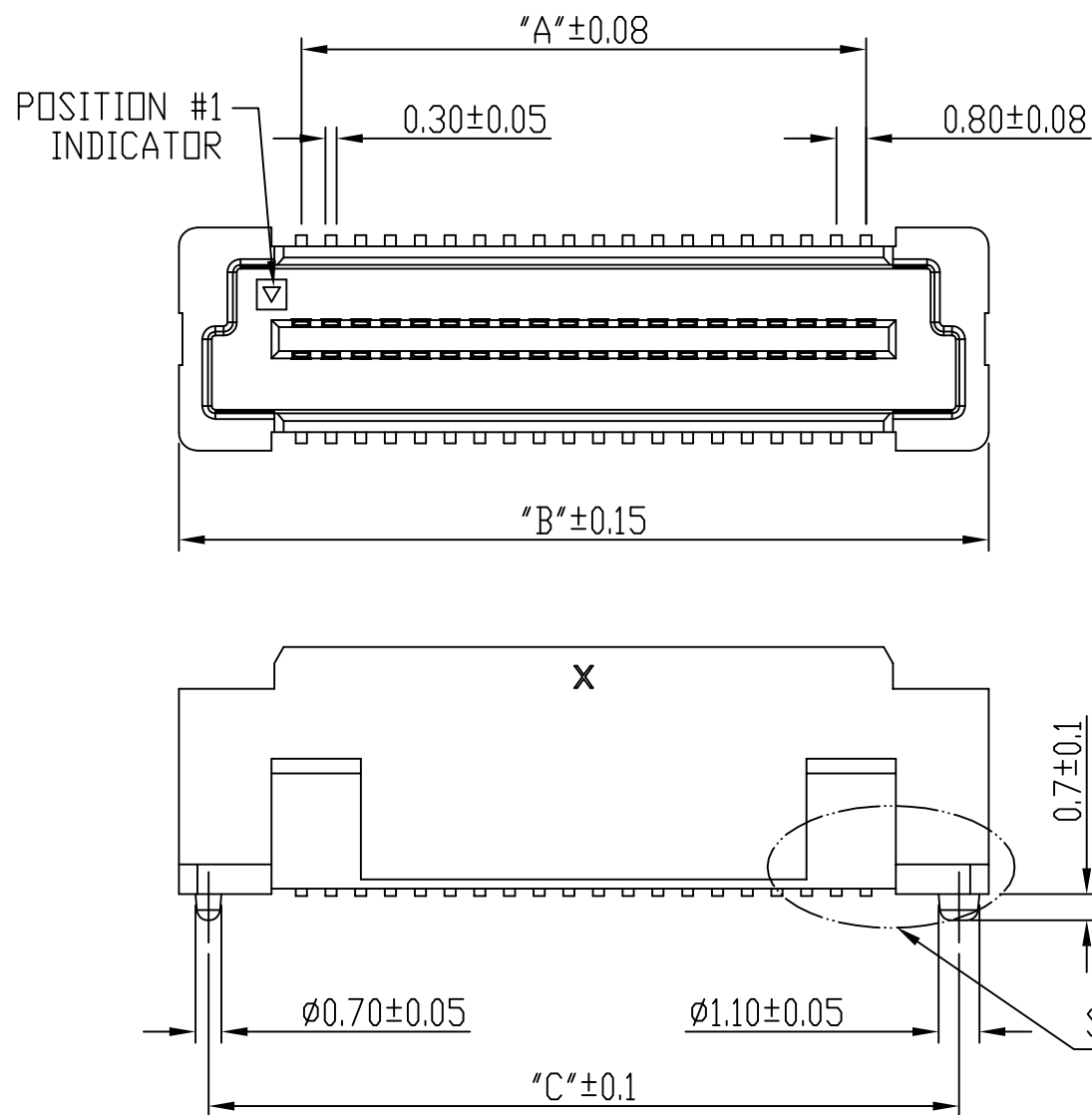
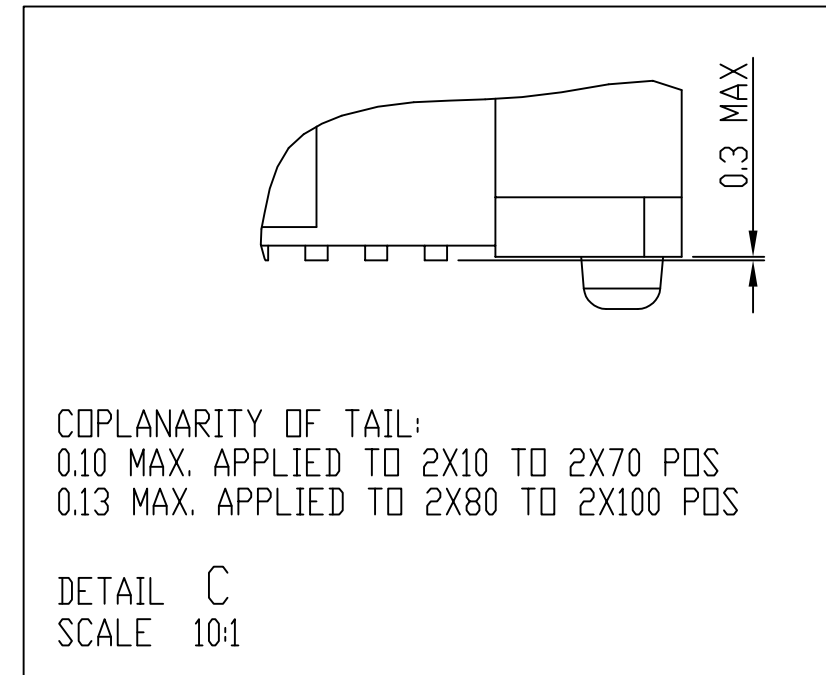
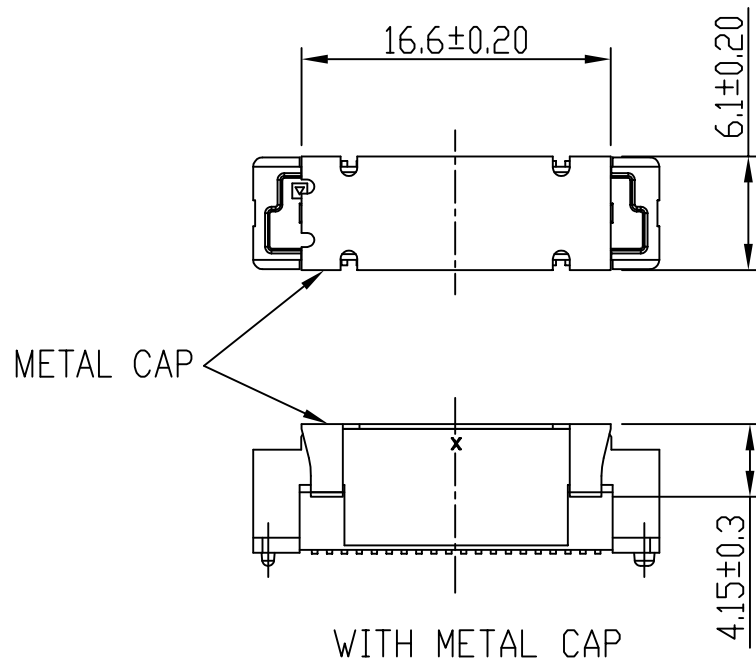


DATE CODE: XXXXXX  
 DAY(01~31)  
 MONTH(01~12)  
 YEAR(00~99)  
 DETAIL BB



mat'l. code		surface ISO 1302 ✓		tolerance ISO 406 ISO 1101		projection 1101		product family BERGSTAK HPL545	
ltr		ecn no		dr		date		title	
AT								PLUG ASSY BERGSTAK 0.8MM	
								dwg no 61083	
								sheet 3 of 6	
								size A3	
								type Product Customer Drawing	
sheet index		revision		AT					
sheet 1									

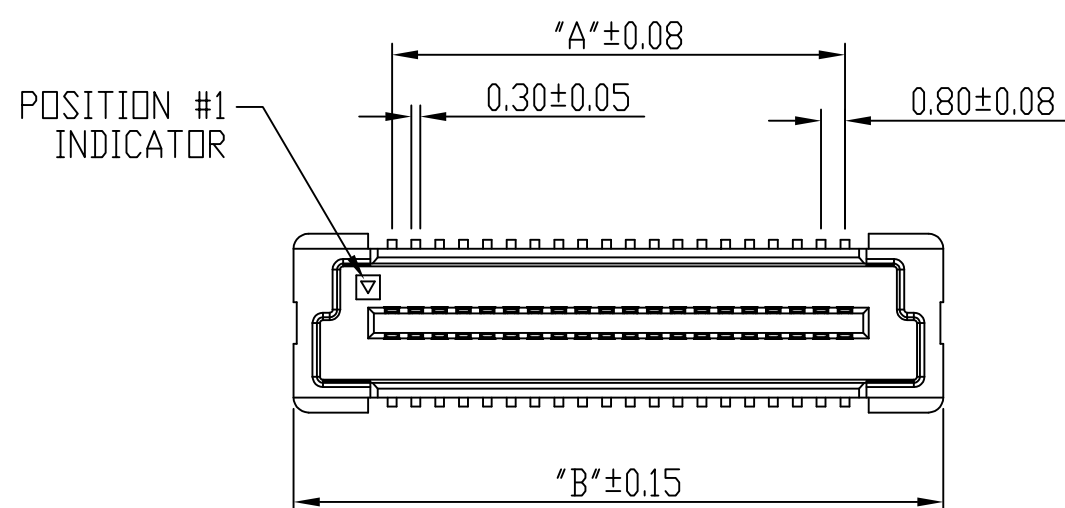
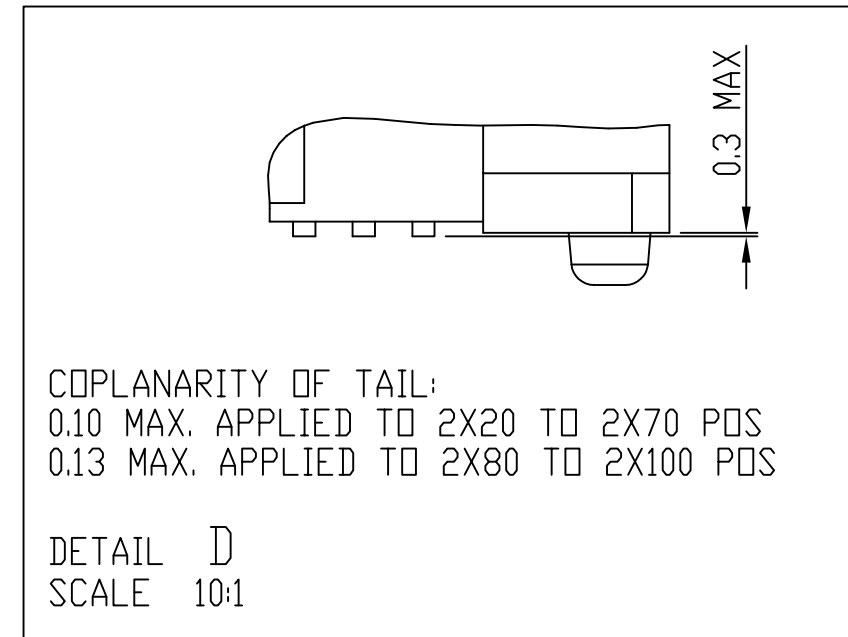
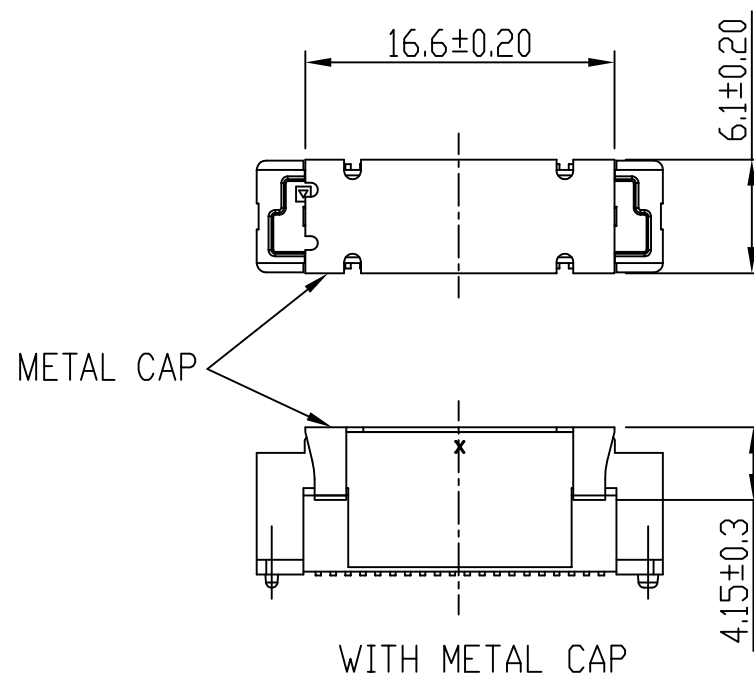
PRODUCT NO.	NO. OF POSITION	DIMENSION		
		A	B	C
61083-023***	2X10	7.2	13.8	12.2
61083-043***	2X20	15.2	21.8	20.2
61083-063***	2X30	23.2	29.8	28.2
61083-083***	2X40	31.2	37.8	36.2
61083-103***	2X50	39.2	45.8	44.2
61083-123***	2X60	47.2	53.8	52.2
61083-143***	2X70	55.2	61.8	60.2
61083-163***	2X80	63.2	69.8	68.2
61083-183***	2X90	71.2	77.8	76.2
61083-203***	2X100	79.2	85.8	84.2



mat'l. code				surface ISO 1302 ✓		tolerance ISO 406 ISO 1101		projection 1101		product family BERGSTAK HPL545	
ltr				ecn no		dr		date		title	
AT										PLUG ASSY BERGSTAK 0.8MM	
				angles		linear		mm		dwg no	
				0°±3'		.0±.2		scale 1:1		sheet 4 of 6	
						.00±.15				size	
						.000±.10				A3	
				dr		GuoMin Sun		2014-10-21		type	
				engr		Bob Gu		2020-06-28		Product Customer Drawing	
				chr		LQ Lei		2020-06-28		61083	
				appd		Tim Yao		2020-06-28		61083	
sheet index		revision		AT							
1		sheet		1							

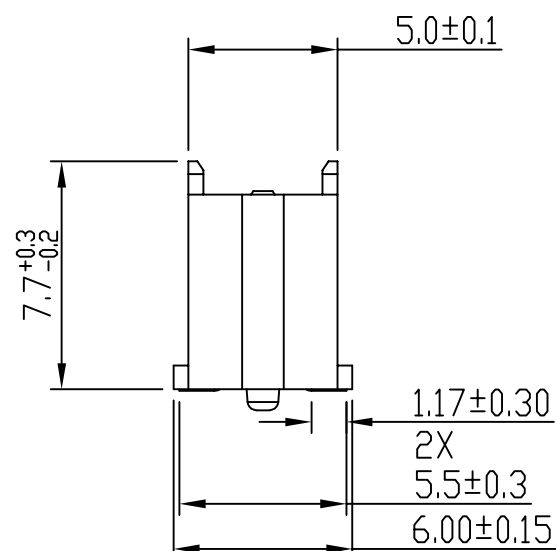
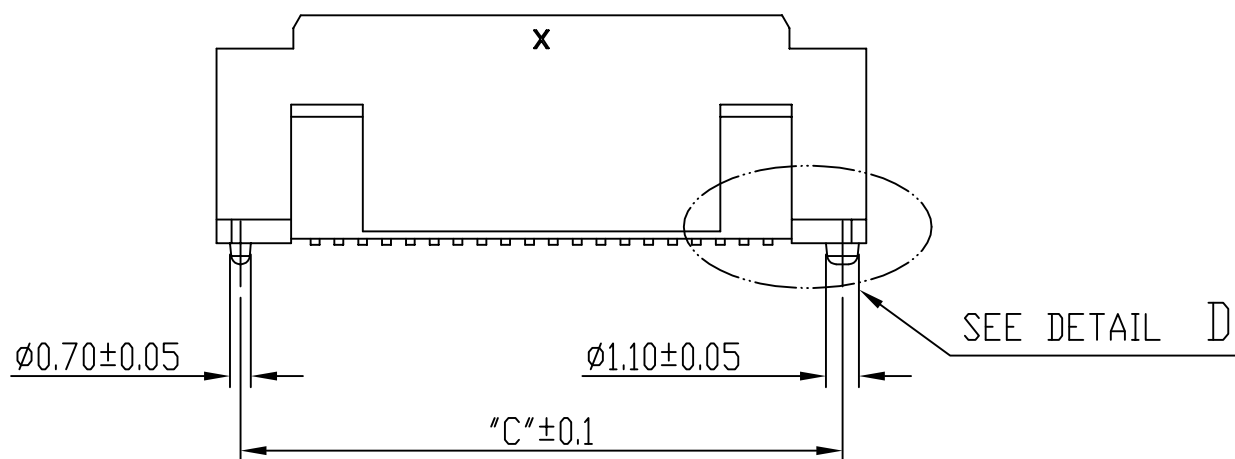
© 2016 AFCI  
 Amphenol FCI

PRODUCT NO.	NO. OF POSITION	DIMENSION		
		A	B	C
61083-044***	2X20	15.2	21.8	20.2
61083-064***	2X30	23.2	29.8	28.2
61083-084***	2X40	31.2	37.8	36.2
61083-104***	2X50	39.2	45.8	44.2
61083-124***	2X60	47.2	53.8	52.2
61083-144***	2X70	55.2	61.8	60.2
61083-164***	2X80	63.2	69.8	68.2
61083-184***	2X90	71.2	77.8	76.2
61083-204***	2X100	79.2	85.8	84.2



DATE CODE: XXXXXX  
 DAY(01~31)  
 MONTH(01~12)  
 YEAR(00~99)

DETAIL DD

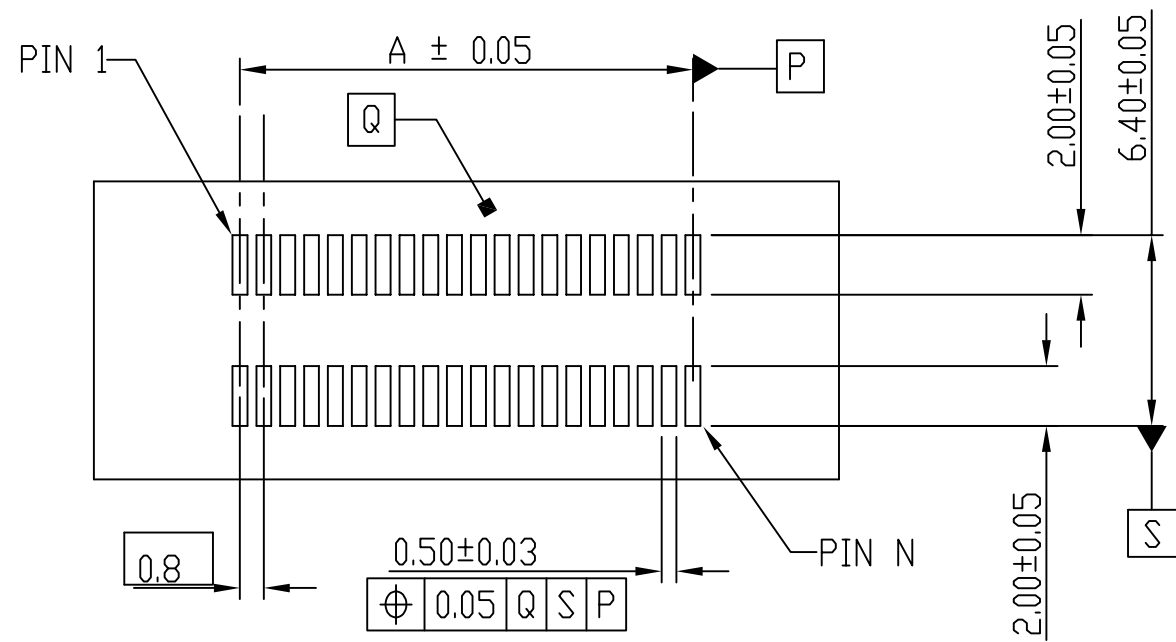


SEE DETAIL DD

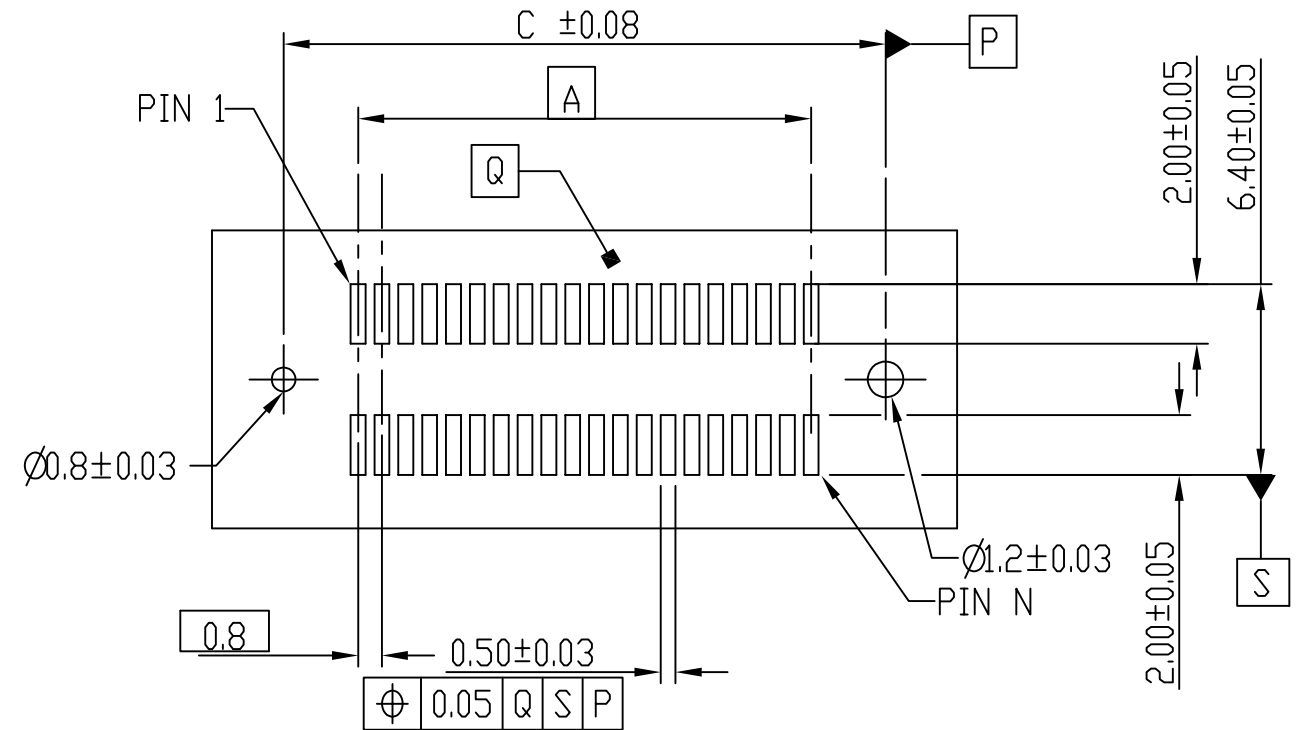
PLUG 4

mat'l. code		surface ISO 1302 ✓		tolerance ISO 406 ISO 1101		projection 1101		product family BERGSTAK HPL545	
ltr		ecn no		dr		date		title	
AT								PLUG ASSY BERGSTAK 0.8MM	
		angles		linear		mm		dwg no 61083	
		0°±3'		.0±.2		.00±.15		sheet 5 of 6	
				.000±.10		scale 1:1		size A3	
		dr		GuoMin Sun		2014-10-21		type Product Customer Drawing	
		engr		Bob Gu		2020-06-28			
		chr		LQ Lei		2020-06-28			
		appd		Tim Yao		2020-06-28			
sheet index		revision sheet		AT		1			

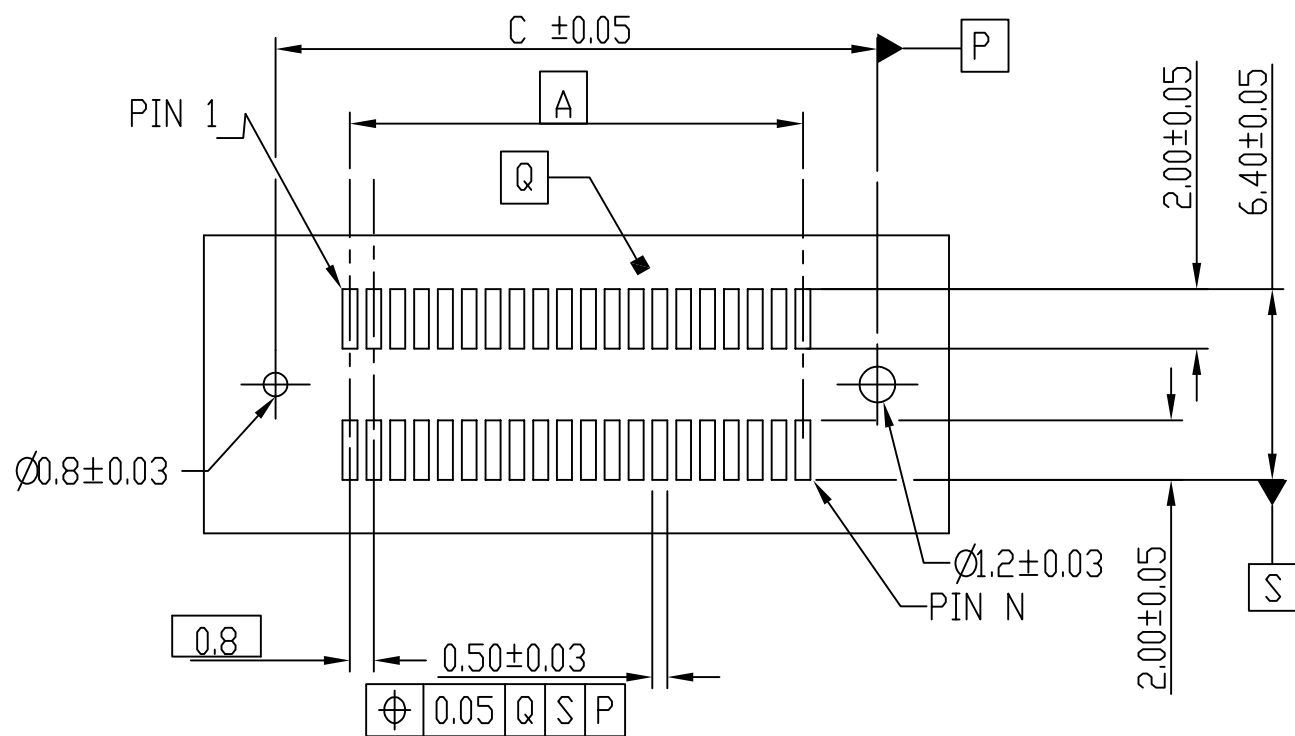
FOR PLUG 1/2/3/4



RECOMMENDED PCB LAYOUT WITHOUT PEG FOR  
NO. OF POS 2X10, 2X20, 2X30, 2X40, 2X50 2X60



RECOMMENDED PCB LAYOUT WITH PEG FOR  
NO. OF POS 2X70, 2X80, 2X90, 2X100



RECOMMENDED PCB LAYOUT WITH PEG FOR  
NO. OF POS 2X10, 2X20, 2X30, 2X40, 2X50 2X60

mat'l. code		surface ISO 1302 ✓		tolerance ISO 406 ISO 1101		projection		product family	
ltr		ecn no		dr		date		BERGSTAK HPL545	
AT								title	
								PLUG ASSY	
								BERGSTAK 0.8MM	
								dwg no	
								sheet 6 of 6	
								size	
								A3	
								type	
								Product Customer Drawing	
sheet index		revision		AT					
sheet		1							