

# 62009-2 ✓ ACTIVE

TE Internal #: 62009-2

Special Purpose Terminals, Brush, 20 – 14 AWG Wire Size, .5 – 2 mm<sup>2</sup> Wire Size, Silver Plating, Length 15.75 mm [.62 in], Reel, Flag, Uninsulated

[View on TE.com >](#)



Terminals & Splices > Special Purpose Terminals



Special Purpose Terminal Type: **Brush**

Heavy Duty: **No**

Wire Size: **.5 – 2 mm<sup>2</sup>**

Terminal Material Thickness: **.46 mm [.018 in]**

## Features

### Product Type Features

Wire/Cable Type	Discrete Wire
Wire Insulation Support Retention Type	Non-Insulation Support
Sealable	No

### Contact Features

Special Purpose Terminal Type	Brush
Terminal Plating Material	Silver
Terminal Orientation	Flag

### Mechanical Attachment

Wire Insulation Support	Without
-------------------------	---------

### Dimensions

Wire Size	.5 – 2 mm <sup>2</sup>
Terminal Material Thickness	.46 mm [.018 in]
Overall Product Length	15.75 mm [.62 in]

### Usage Conditions

Insulation Option	Uninsulated
-------------------	-------------



### Operation/Application

Heavy Duty	No
------------	----

### Packaging Features

Packaging Quantity	6000
--------------------	------

Packaging Method	Reel
------------------	------

### Other

Comment	Tab lock. Left hand.
---------	----------------------

### Product Compliance

[For compliance documentation, visit the product page on TE.com>](#)

EU RoHS Directive 2011/65/EU	Compliant
------------------------------	-----------

EU ELV Directive 2000/53/EC	Compliant
-----------------------------	-----------

China RoHS 2 Directive MIIT Order No 32, 2016	No Restricted Materials Above Threshold
---	---

EU REACH Regulation (EC) No. 1907/2006	Current ECHA Candidate List: JUNE 2022 (224) Candidate List Declared Against: JAN 2022 (223) SVHC > Threshold: Not Yet Reviewed
--	--

Halogen Content	Low Halogen - Br, Cl, F, I < 900 ppm per homogenous material. Also BFR/CFR/PVC Free
-----------------	---

Solder Process Capability	Not applicable for solder process capability
---------------------------	--

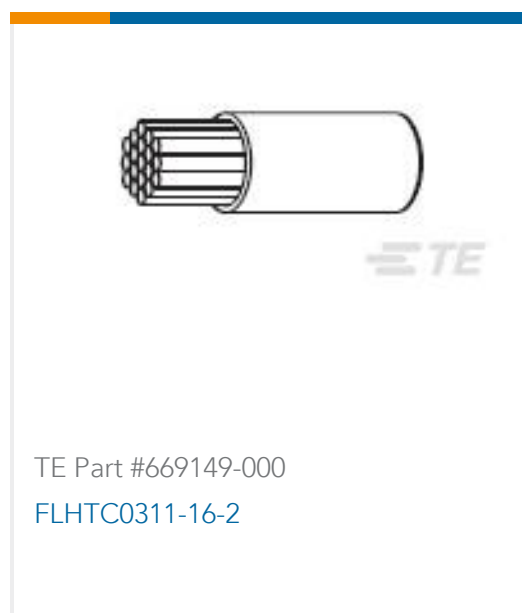
#### Product Compliance Disclaimer

This information is provided based on reasonable inquiry of our suppliers and represents our current actual knowledge based on the information they provided. This information is subject to change. The part numbers that TE has identified as EU RoHS compliant have a maximum concentration of 0.1% by weight in homogenous materials for lead, hexavalent chromium, mercury, PBB, PBDE, DBP, BBP, DEHP, DIBP, and 0.01% for cadmium, or qualify for an exemption to these limits as defined in the Annexes of Directive 2011/65/EU (RoHS2). Finished electrical and electronic equipment products will be CE marked as required by Directive 2011/65/EU. Components may not be CE marked. Additionally, the part numbers that TE has identified as EU ELV compliant have a maximum concentration of 0.1% by weight in homogenous materials for lead, hexavalent chromium, and mercury, and 0.01% for cadmium, or qualify for an exemption to these limits as defined in the Annexes of Directive 2000/53/EC (ELV). Regarding the REACH Regulation, the information TE provides on SVHC in articles for this part number is based on the latest European Chemicals Agency (ECHA) 'Guidance on requirements for substances in articles' posted at this URL: <https://echa.europa.eu/guidance-documents/guidance-on-reach>

### Compatible Parts



## Customers Also Bought



## Documents

### Product Drawings

[BRUSH CONTACT TAB 20-14 AWG SLPPHBZ](#)

English

### CAD Files

[3D PDF](#)

3D

Customer View Model

[ENG\\_CVM\\_CVM\\_62009-2\\_W.2d\\_dxf.zip](#)

English

Customer View Model

[ENG\\_CVM\\_CVM\\_62009-2\\_W.3d\\_igs.zip](#)

English

Customer View Model

[ENG\\_CVM\\_CVM\\_62009-2\\_W.3d\\_stp.zip](#)

English

By downloading the CAD file I accept and agree to the [Terms and Conditions](#) of use.

### Product Specifications

[Application Specification](#)

German