

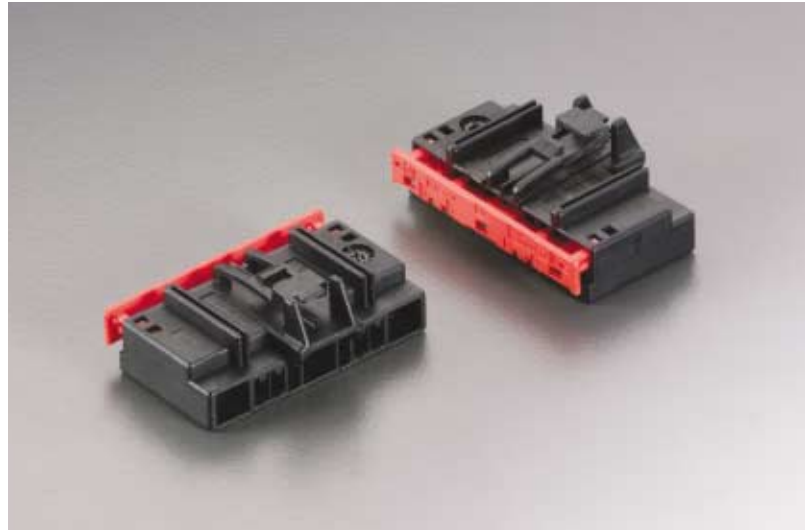
Component-to-wire connectors **FCI**

DCS-1 / 1.5 mm terminals

7 way female housing for 1.5 + 6.3 mm terminals

Features

- Additional terminal locking device pre-assembled on front part of the housing
- Plastic locking feature
- Mechanical polarization



Performance characteristics

- Temperature range: from -40°C to +120°C
- Contact retention force: > 80 N
- Contact insertion force: < 15 N for 6.3 mm terminals
- Connector mating force: < 90 N

Construction

- Housing material: PBT

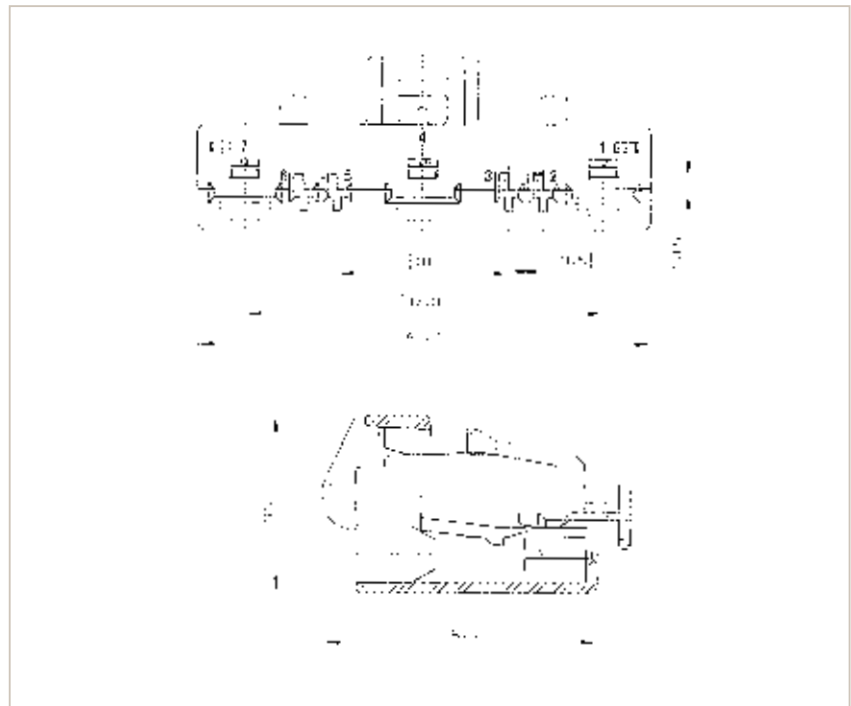
Tooling

- Front device removal tool: Consult us
- Terminal removal tool: Consult us

Connector compatibility

- Usable terminals:
 - 1.5 mm female terminals
 - DCS-1 6.3 mm female terminals

Dimensional characteristics



Part Numbers	No. of position	Terminal size	Colour
6 023 11 11	7	4 x [1.5 mm] + 3 x [6.3 mm]	Black

Direct Links ...

- Cross Reference
- RoHS/LF P/N search
- Document & Drawing search
- Application tooling

Services ...

- Contact us
- Distributor list
- Pricing request
- Order samples

Literature ...

- Brochures & catalogs
- Product documentation
- Technical library

Start > Search=60231111* > **60231111**

60231111



60231111

7 way Component-to-Wire Female housing

ACTIVE

[Customer Drawing](#)

Automotive division

[Assistant](#) [Add to Favorites](#)

[Email Datasheet](#) [Print Datasheet](#)

FCI Brings You More

- [Contact our sales/technical support](#)
- [Sample request](#)
- [Price request](#)

Specifications

General Mechanical Physical **Terminal 1 Type** Terminal 2 Type Environmental Other Features

General

Application	Wire to Device
Ways	7
Coding version	Black
Product Type	Housing
Coding	Yes
Family	Wire to Device
Features	Mechanical Polarization Plastic Locking Feature

	Additional Terminal Locking Device Pre - Assembled on Front Part of the Housing
Hybrid	Yes
Main Terminal family	Other
Main Terminal size	1.5 mm
Sealed	No
Terminal Size	4x1.5+3x6.3
Mechanical	
Connector mating force	< 90N
Physical	
Color	Black
Material	PBT
Temperature (Range)	-40°C to+120°C
Terminal 1 Type	
Terminal type 1	Female 1.5 mm Terminal
Ways for Terminal Type 1	4
Retention force (Contact) for Terminal Type 1	> 80N
Terminal 2 Type	
Terminal type 2	DCS-1 Female 6.3 mm Terminal
Ways for Terminal Type 2	3
Contact insertion force for Terminal Type 2	< 15N
Environmental	
IMDS	Yes
Other Features	
Type	Female
Disclaimer	For more Information, please contact your local sales office. Displayed data is for information purposes only. The supply of some products might be limited to some customers.