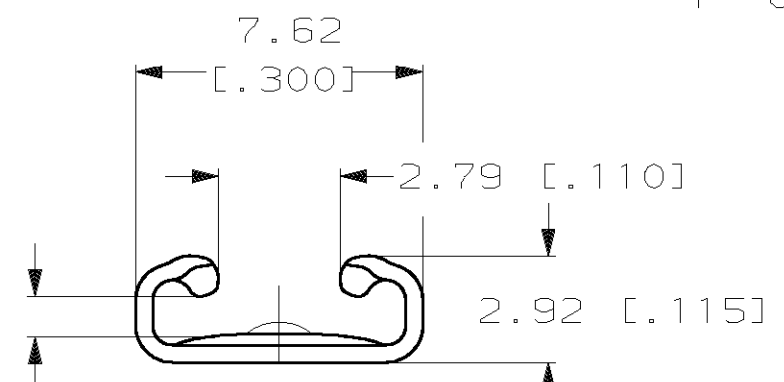
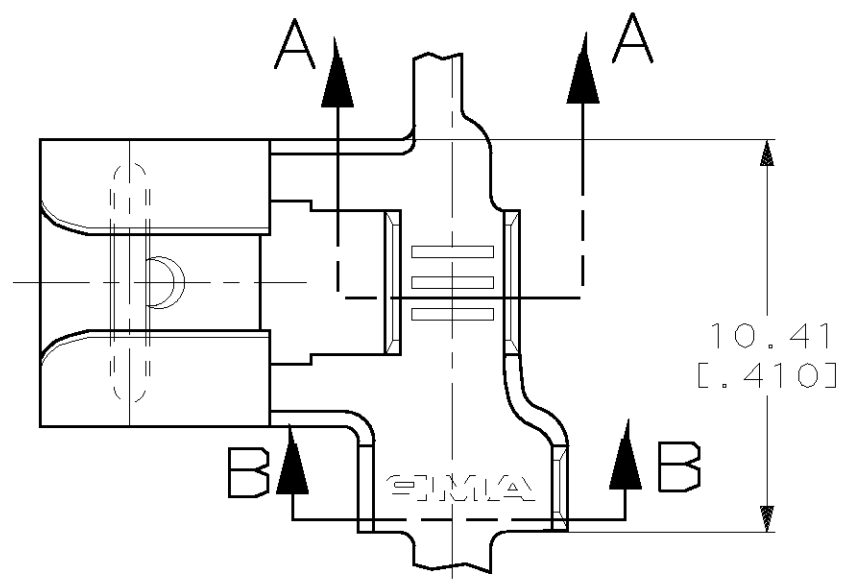


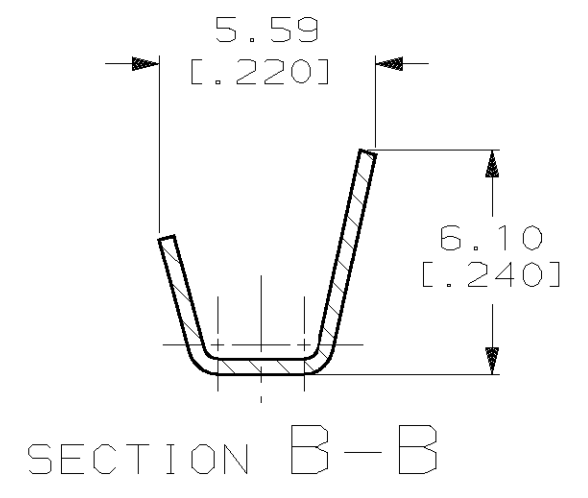
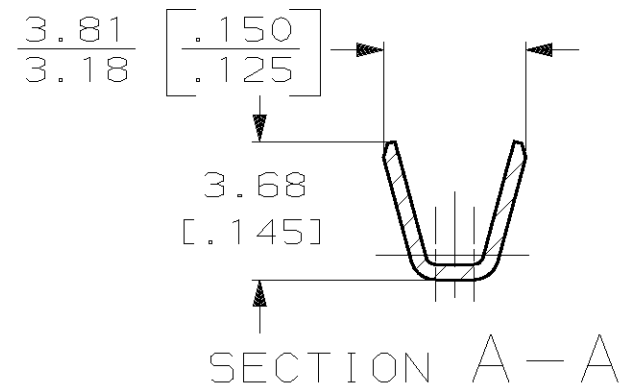
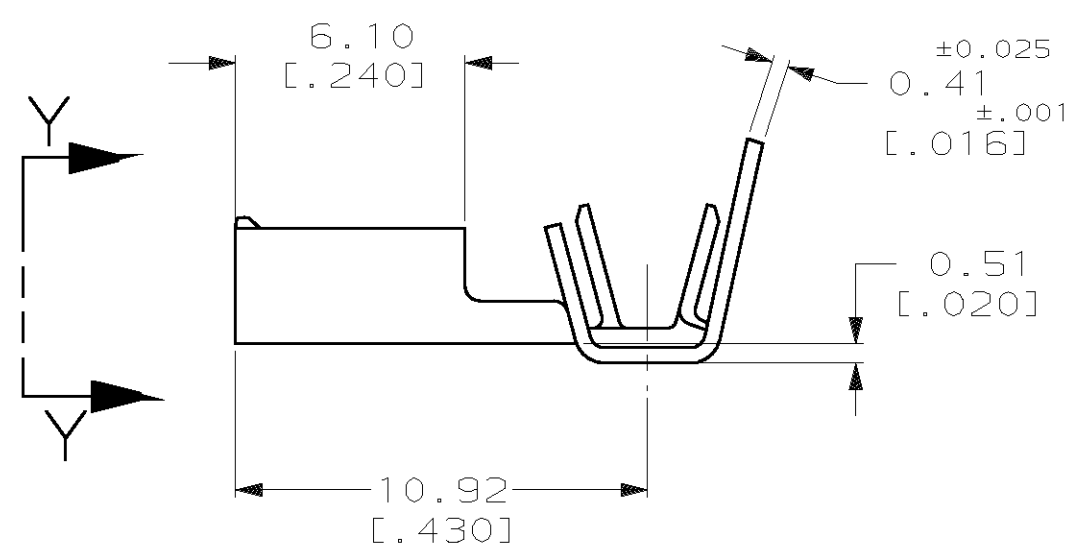
THIS DRAWING IS UNPUBLISHED. RELEASED FOR PUBLICATION, 19
 © COPYRIGHT 19 BY AMP INCORPORATED. ALL INTERNATIONAL RIGHTS RESERVED.

LOC	DIST	P	F	REVISIONS				
AF	50			ZONE	LTR	DESCRIPTION	DATE	APPD
					L	REV PER 063A-0125-01	20FEB01	JR/PD



FITS 6.35 [.250] SERIES FASTON RECEPTACLE
 VIEW Y-Y

1 CONTINUOUS STRIP ON REELS.



TIN	2.79-4.06	0.8-2.0mm ²	0.81	63096-2
-	[.110-.160] DIA	[18-14] AWG	[.032]	63096-1
FINISH	INSULATION RANGE	WIRE SIZE	MATING TAB THK ±0.025 [.001]	PART NO
DO NOT SCALE PRINT. UNLESS SPECIFIED DIMENSIONS IN mm [INCHES] TOLERANCES ON: 2 PLC DEC ± - 3 PLC DEC ± 0.38 [.015] ANGLES ± -	DR 4/15/91 JR RUTH CHK 4/15/91 MS FEHER APPD 4/15/91 C MEYERS APPD 4/15/91 D REINER	AMP AMP Incorporated Harrisburg, PA 17105-3608		
MATERIAL 4M BRASS	PRODUCT SPEC -	NAME RECEPTACLE, FASTON, FLAG, 6.35 [.250] SERIES		
FINISH SEE TABLE	APPLICATION SPEC -	SIZE B	CAGE CODE 00779	DRAWING NO 63096
	WEIGHT -	SCALE 5:1	SHEET 1 OF 1	