

5750752-1 ✓ ACTIVE

AMPLIMITE | AMPLIMITE 0.50 Series

TE Internal #: 5750752-1

D-Sub Backshells & Clamps, Backshell Kit, 68 Position, Shielded,  
Wire & Cable, AMPLIMITE 0.50 Series

[View on TE.com >](#)



Connectors > D-Shaped Connectors > D-Sub Accessories > D-Sub Backshells & Clamps



D-Shaped Connector Accessories: **Backshell Kit**

Number of Positions: **68**

Shielded: **Yes**

Cable Insulation Diameter Range: **13.97 mm [ .55 in ]**

Connector & Contact Terminates To: **Wire & Cable**

## Features

### Product Type Features

Product Type	Accessory
D-Shaped Connector Accessories	Backshell Kit
Connector & Contact Terminates To	Wire & Cable

### Configuration Features

Number of Positions	68
---------------------	----

### Body Features

Boot Material	PVC
Staple Material	Carbon Steel
Color	Black
Staple Plating Material	Tin over Nickel
Backshell Material	Zinc

### Mechanical Attachment

Screw & Hole Thread Size	2-56
--------------------------	------

### Dimensions

Cable Insulation Diameter Range	13.97 mm[.55 in]
---------------------------------	------------------

### Operation/Application

Shielded	Yes
----------	-----

### Packaging Features



Packaging Quantity	1
Packaging Method	Package

### Other

Comment	Each enclosure kit contains two backshells, one boot, two jackscrews, one staple and four screws. All are packaged unassembled., Meets SCSI-3 standards
---------	---

## Product Compliance

[For compliance documentation, visit the product page on TE.com>](#)

EU RoHS Directive 2011/65/EU	Compliant
EU ELV Directive 2000/53/EC	Compliant
China RoHS 2 Directive MIIT Order No 32, 2016	No Restricted Materials Above Threshold
EU REACH Regulation (EC) No. 1907/2006	Current ECHA Candidate List: JUNE 2022 (224) Candidate List Declared Against: JUL 2021 (219) SVHC > Threshold: Not Yet Reviewed
Halogen Content	Not Low Halogen - contains Br or Cl > 900 ppm.
Solder Process Capability	Not applicable for solder process capability

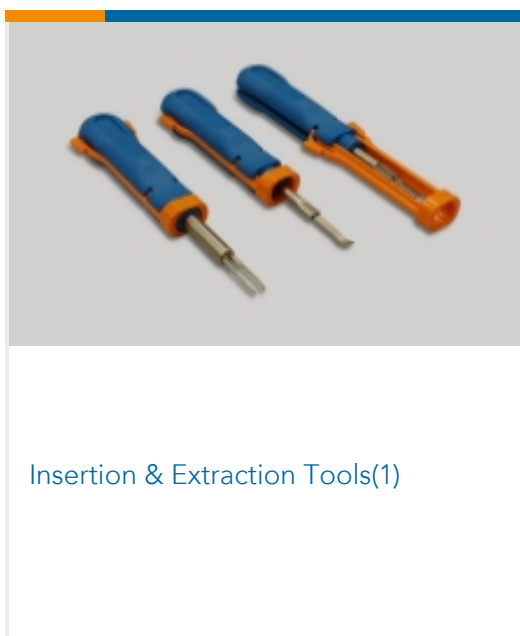
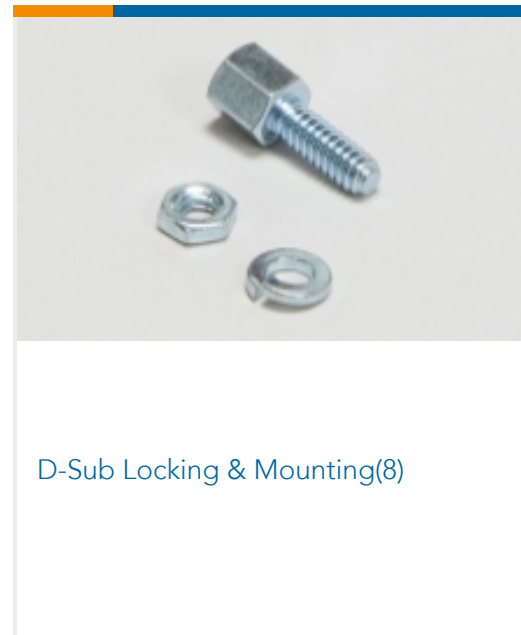
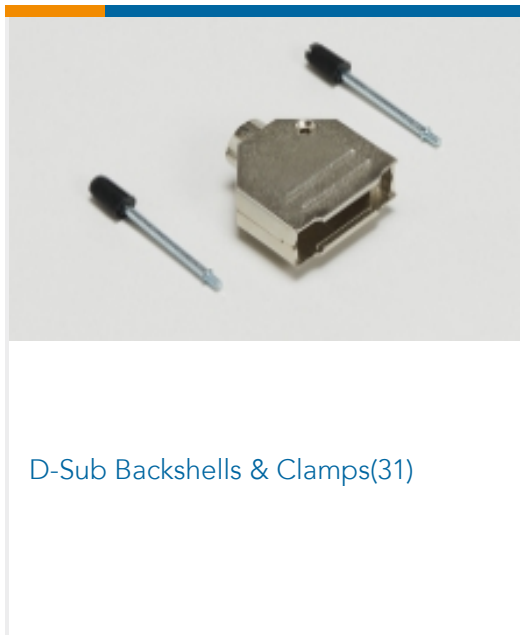
#### Product Compliance Disclaimer

This information is provided based on reasonable inquiry of our suppliers and represents our current actual knowledge based on the information they provided. This information is subject to change. The part numbers that TE has identified as EU RoHS compliant have a maximum concentration of 0.1% by weight in homogenous materials for lead, hexavalent chromium, mercury, PBB, PBDE, DBP, BBP, DEHP, DIBP, and 0.01% for cadmium, or qualify for an exemption to these limits as defined in the Annexes of Directive 2011/65/EU (RoHS2). Finished electrical and electronic equipment products will be CE marked as required by Directive 2011/65/EU. Components may not be CE marked. Additionally, the part numbers that TE has identified as EU ELV compliant have a maximum concentration of 0.1% by weight in homogenous materials for lead, hexavalent chromium, and mercury, and 0.01% for cadmium, or qualify for an exemption to these limits as defined in the Annexes of Directive 2000/53/EC (ELV). Regarding the REACH Regulation, the information TE provides on SVHC in articles for this part number is based on the latest European Chemicals Agency (ECHA) 'Guidance on requirements for substances in articles' posted at this URL: <https://echa.europa.eu/guidance-documents/guidance-on-reach>

## Compatible Parts



### Also in the Series | AMPLIMITE 0.50 Series

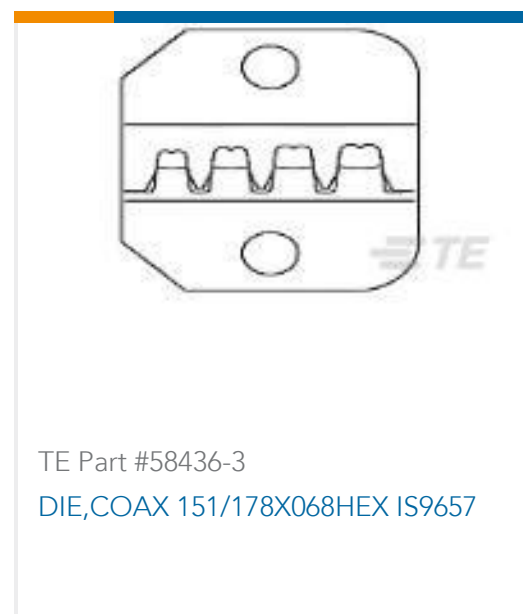


### Customers Also Bought





TE Part #1-750877-9  
100 50SR TERMINATOR COVER



TE Part #58436-3  
DIE, COAX 151/178X068HEX IS9657

## Documents

### Product Drawings

#### 68 50SR BKSHELL KIT W/BOOT

English

### CAD Files

#### 3D PDF

English

#### Customer View Model

[ENG\\_CVM\\_5750752-1\\_A.2d\\_dxf.zip](#)

English

#### Customer View Model

[ENG\\_CVM\\_5750752-1\\_A.3d\\_igs.zip](#)

English

#### Customer View Model

[ENG\\_CVM\\_5750752-1\\_A.3d\\_stp.zip](#)

English

By downloading the CAD file I accept and agree to the [Terms and Conditions](#) of use.

### Datasheets & Catalog Pages

#### AMPLIMITE Subminiature D Connectors - .050 Series Connector

English

#### AMPLIMITE .050 Series D-sub Connectors QRG

English

### Product Environmental Compliance

#### TE Material Declaration

English