

66102-7 ✓ ACTIVE

AMP | AMP Type III+

TE Internal #: 66102-7

Power Contacts, Contact, Precious Metal, 24 – 20 AWG Wire Size, .2 – .6 mm² Wire Size, Wire & Cable, Crimp, Power & Signal, Pin, AMP Type III+

[View on TE.com >](#)



Connectors > Power Connectors > Power Contacts



Power Contact Type: **Contact**

Contact Mating Area Plating Material: **Precious Metal**

Wire Size: **.2 – .6 mm²**

Connector & Contact Terminates To: **Wire & Cable**

Features

Product Type Features

Power Contact Type	Contact
Connector & Contact Terminates To	Wire & Cable

Electrical Characteristics

Test Current	13 A
--------------	------

Contact Features

Contact Mating Area Plating Material	Precious Metal
Contact Current Rating (Max)	13 A
Contact Type	Pin
Contact Retention Within Housing	With
Mating Pin Diameter	1.57 mm[.062 in]
Contact Base Material	Brass
Contact Mating Area Plating Material Thickness	2.54 μm[100 μin]
Wire Contact Termination Area Plating Thickness	2.54 μm[100 μin]
Wire Contact Termination Area Plating Material	Tin-Lead
Wire Contact Termination Area Plating Material Finish	Matte



Contact Orientation	Straight
Contact Underplating Material	Nickel
Contact Underplating Material Thickness	1.27 µm[50 µin]
Contact Size	16

Termination Features

Termination Method to Wire & Cable	Crimp
------------------------------------	-------

Mechanical Attachment

Wire Insulation Support	With
-------------------------	------

Dimensions

Wire Size	.2 – .6 mm ²
Accepts Wire Insulation Diameter Range	1.02 – 2.03 mm[.04 – .08 in]

Usage Conditions

Operating Temperature Range	-55 – 150 °C[-67 – 302 °F]
-----------------------------	----------------------------

Operation/Application

Circuit Application	Power & Signal
---------------------	----------------

Packaging Features

Packaging Method	Reel
Packaging Quantity	4000

Other

Wire/Cable Type	Discrete Wire
For Use With	CPC Connectors, G Series Connectors, M Series Connectors
Comment	Overall insulation crimp diameter, including crimp barrel, must not exceed 3.18 [.125]., PRO-CRIMPER II # 58495-1 Hand Tool for field repair use only.

Product Compliance

[For compliance documentation, visit the product page on TE.com>](#)

EU RoHS Directive 2011/65/EU	Not Compliant
EU ELV Directive 2000/53/EC	Not Compliant
China RoHS 2 Directive MIIT Order No 32, 2016	Restricted Materials Above Threshold
EU REACH Regulation (EC) No. 1907/2006	



Current ECHA Candidate List: JUNE 2022

(224)

Candidate List Declared Against: JAN 2022

(223)

SVHC > Threshold:

Pb (13% in Component Part)

Article Safe Usage Statements:

Do not eat, drink or smoke when using this product. Wash thoroughly after handling. Recycle if possible and dispose of the article by following all applicable governmental regulations relevant to your geographic location.

Halogen Content

Low Halogen - Br, Cl, F, I < 900 ppm per homogenous material. Also BFR/CFR/PVC Free

Solder Process Capability

Not applicable for solder process capability

Product Compliance Disclaimer

This information is provided based on reasonable inquiry of our suppliers and represents our current actual knowledge based on the information they provided. This information is subject to change. The part numbers that TE has identified as EU RoHS compliant have a maximum concentration of 0.1% by weight in homogenous materials for lead, hexavalent chromium, mercury, PBB, PBDE, DBP, BBP, DEHP, DIBP, and 0.01% for cadmium, or qualify for an exemption to these limits as defined in the Annexes of Directive 2011/65/EU (RoHS2). Finished electrical and electronic equipment products will be CE marked as required by Directive 2011/65/EU. Components may not be CE marked. Additionally, the part numbers that TE has identified as EU ELV compliant have a maximum concentration of 0.1% by weight in homogenous materials for lead, hexavalent chromium, and mercury, and 0.01% for cadmium, or qualify for an exemption to these limits as defined in the Annexes of Directive 2000/53/EC (ELV). Regarding the REACH Regulation, the information TE provides on SVHC in articles for this part number is based on the latest European Chemicals Agency (ECHA) 'Guidance on requirements for substances in articles' posted at this URL: <https://echa.europa.eu/guidance-documents/guidance-on-reach>

Compatible Parts



TE Part # 58495-2
PROCRIMPER DIE ASSY MULTIMATE



TE Part # 91505-1
CCII TYPE III+ 24-16 ASSY



TE Part # 200893-2
INSERTION TOOL CONT



TE Part # 58495-1
PRO CRIMPER ASSY MULTIMATE



TE Part # 539972-1
EXTRACTION TOOL



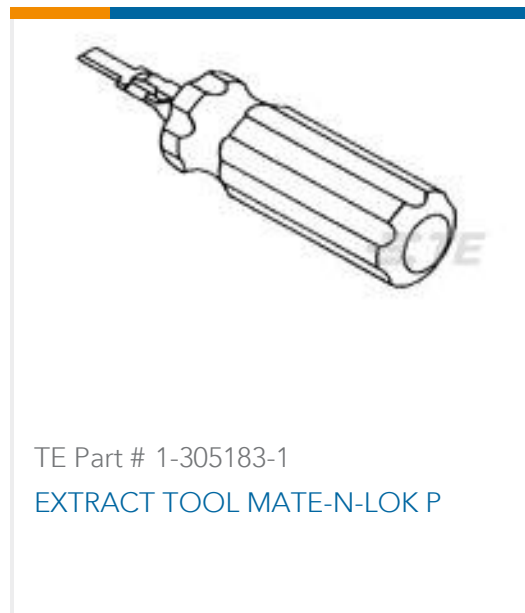
TE Part # 305183
EXTRACT TOOL TYPE 2 20-16



TE Part # 2305570-1
TERMINAL CUTTER, SIDE FEED



TE Part # 2151016-2
OCEAN_2.0_APPLICATOR-S-062F0900A



TE Part # 1-305183-1
EXTRACT TOOL MATE-N-LOK P



TE Part # 2-2151016-1
OCEAN_2.0_APPLICATOR-S-062F0900



TE Part # 2-2151016-2
OCEAN_2.0_APPLICATOR-S-062F0900A



TE Part # 2151016-1
OCEAN_2.0_APPLICATOR-S-062F0900



TE Part # 5-2151016-1
OCEAN_2.0_APPLICATOR-S-062F0900



TE Part # 5-2151016-2
OCEAN_2.0_APPLICATOR-S-062F0900A

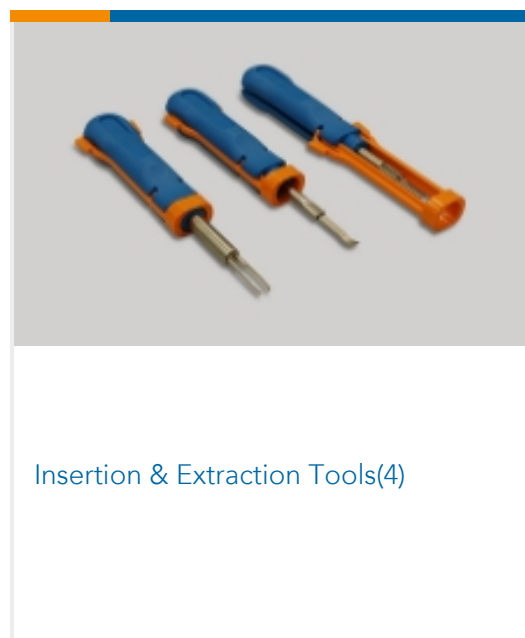


TE Part # 7-2151016-7
OCEAN_2.0_SPARE_PART_KIT-062F0900

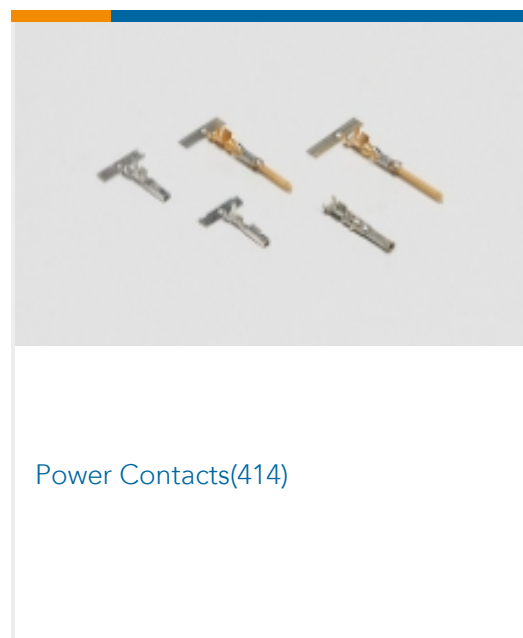


TE Part # 7-2266380-7
OC-110F220F-752-CRIMPTOOLINGKIT

Also in the Series | AMP Type III+



Insertion & Extraction Tools(4)



Power Contacts(414)

Customers Also Bought



TE Part #211398-4
CPC RECPT. SIZE 13-7,THRD INST



TE Part #1658544-2
PIN CONT DUPL PLT STRIP HD-20



TE Part #2-324955-1
TERMINAL,SOLIS R 16-14 8



TE Part #160102-2
RING TONGUE WITH IS 20-16 0.0253 TPBR



TE Part #1-770904-1
MINI UMNL SOK 22-18AWG AU LF



TE Part #47417
DAHT FASTON STRAIGHT 18-14 ASSY



TE Part #66361-2
III+ PIN,18-14,TIN-LEAD,LP



TE Part #5-103958-3
5X4 MTE RCPT SR LATCH .100CL



Documents

Product Drawings

III+ PIN,24-20,TIN-LEAD,STRIP

English

CAD Files

Customer View Model

[ENG_CVM_CVM_66102-7_BB.2d_dxf.zip](#)

English

3D PDF

3D

Customer View Model

[ENG_CVM_CVM_66102-7_BB.3d_igs.zip](#)

English

Customer View Model

[ENG_CVM_CVM_66102-7_BB.3d_stp.zip](#)

English

By downloading the CAD file I accept and agree to the [Terms and Conditions](#) of use.

Product Specifications

Application Specification

English

Instruction Sheets

Instruction Sheet (U.S.)

Japanese

Instruction Sheet (U.S.)

English