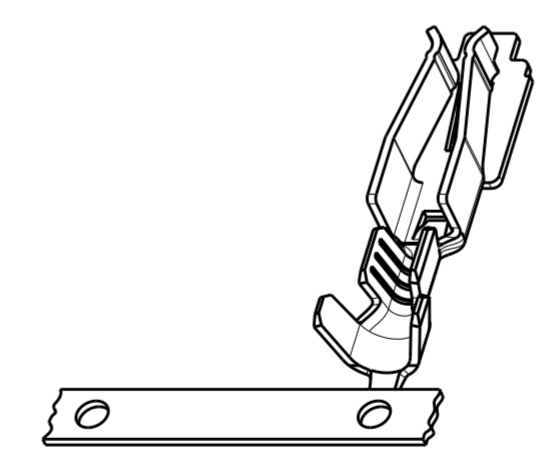
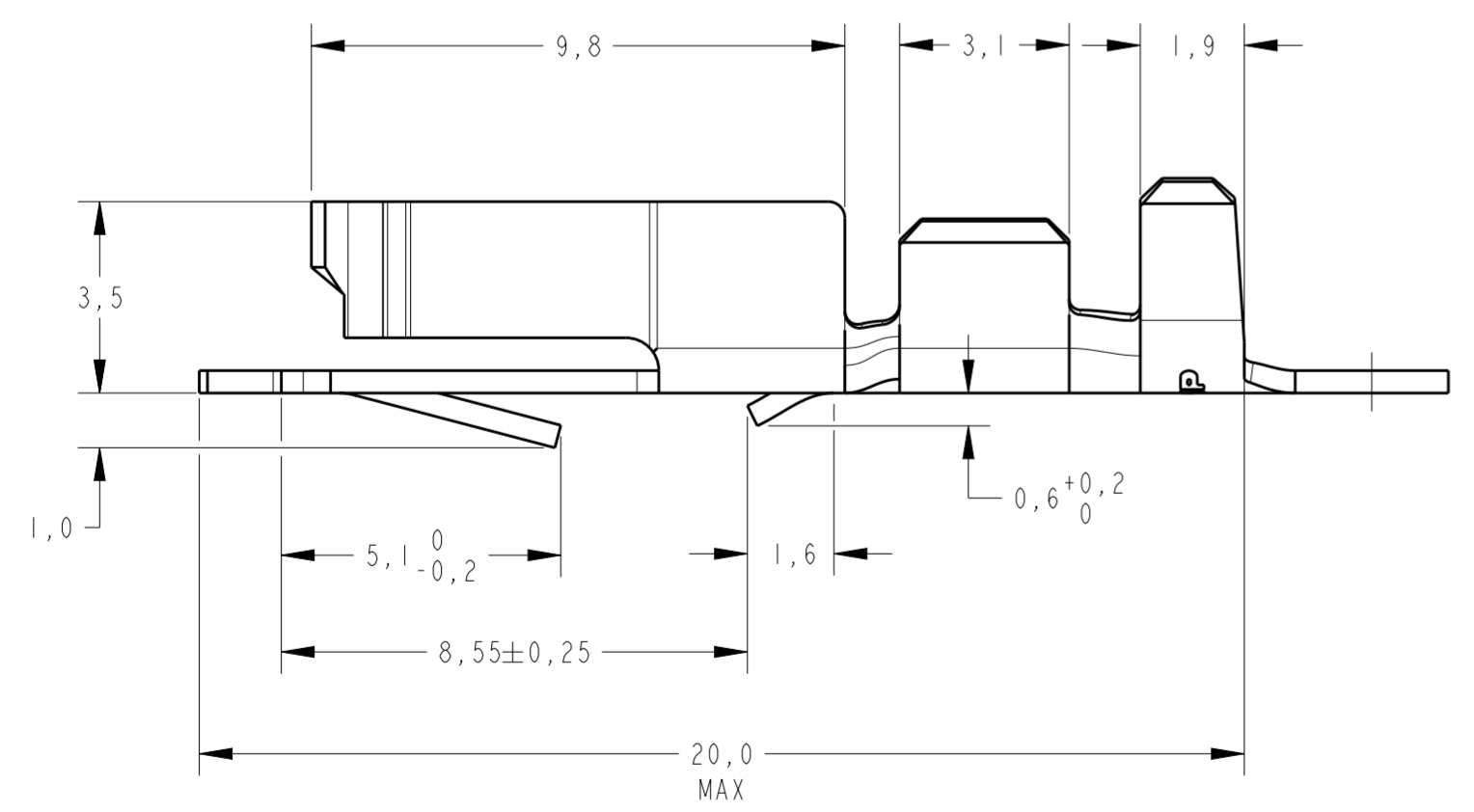
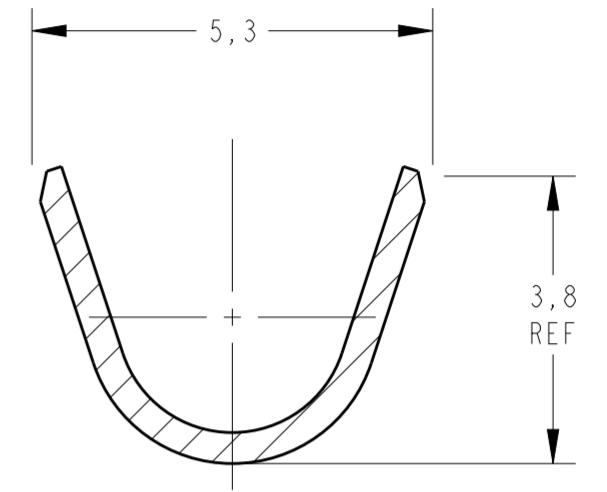
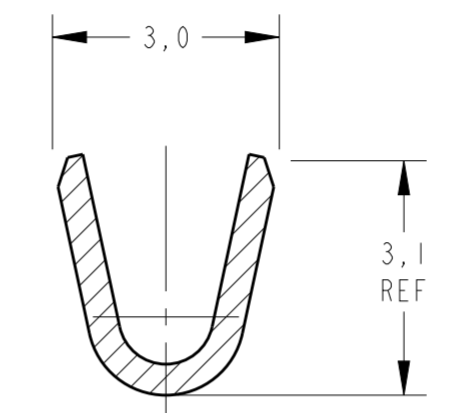
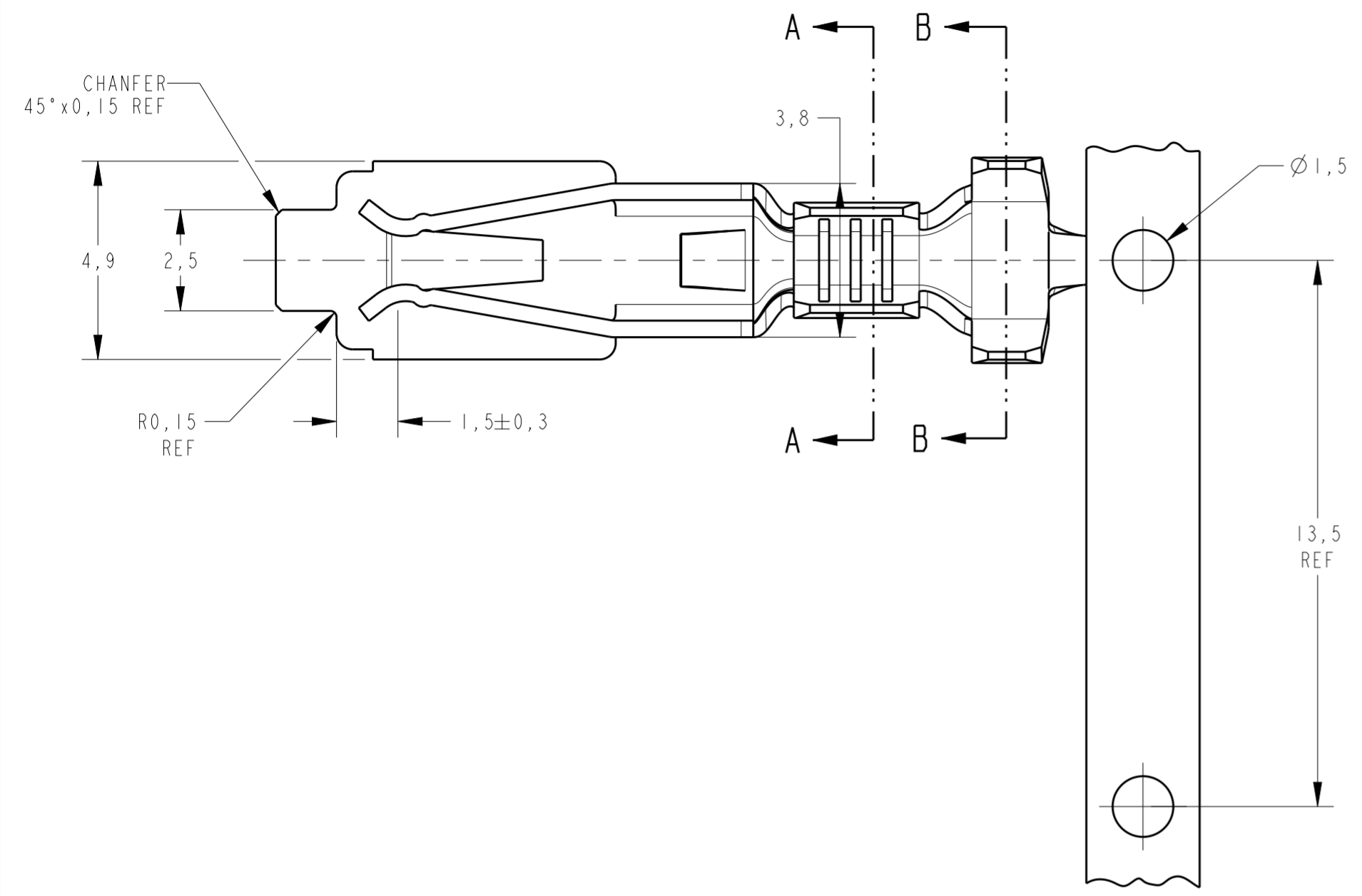


THIS DRAWING IS UNPUBLISHED. RELEASED FOR PUBLICATION 20
 © COPYRIGHT 20 BY - ALL RIGHTS RESERVED.

creo
 C reo Parametric 3.0
 DO NOT REVISE
 EXCEPT BY CAD

REVISIONS					
P	LTR	DESCRIPTION	DATE	DWN	APVD
	HI	REDRAW BY CAD ECO-16-017493	16DEC2016	NCL	GOJ



INSUL RANGE: Ø1,9-2,7mm
 WIRE RANGE: 0,5-1,5mm²

ESTANHADO/TIN PLATED	PHOSP. BRONZE	626277-4
-	PHOSP. BRONZE	626277-3
ESTANHADO/TIN PLATED	LATÃO/BRASS	626277-2
-	LATÃO/BRASS	626277-1
FINISH	MATERIAL	PART NUMBER

THIS DRAWING IS A CONTROLLED DOCUMENT.

DIMENSIONS: mm	TOLERANCES UNLESS OTHERWISE SPECIFIED: 0 PLC ± 1 PLC ±0,2 2 PLC ±0,1 3 PLC ± 4 PLC ± ANGLES ±° FINISH	DWN NCLAPRESA 18NOV2016 CHK FFORTUNATO 18NOV2016 APVD GO JUNIOR 18NOV2016	TE Connectivity	
MATERIAL SEE TABLE	SEE TABLE	NAME LAMP SOCKET CONTACT	SIZE A2	CAGE CODE -
		DRAWING NO C-626277	RESTRICTED TO -	
		CUSTOMER DRAWING	SCALE 4:1	SHEET OF REV HI