

63756-1 ✓ ACTIVE

FASTON | FASTON 110

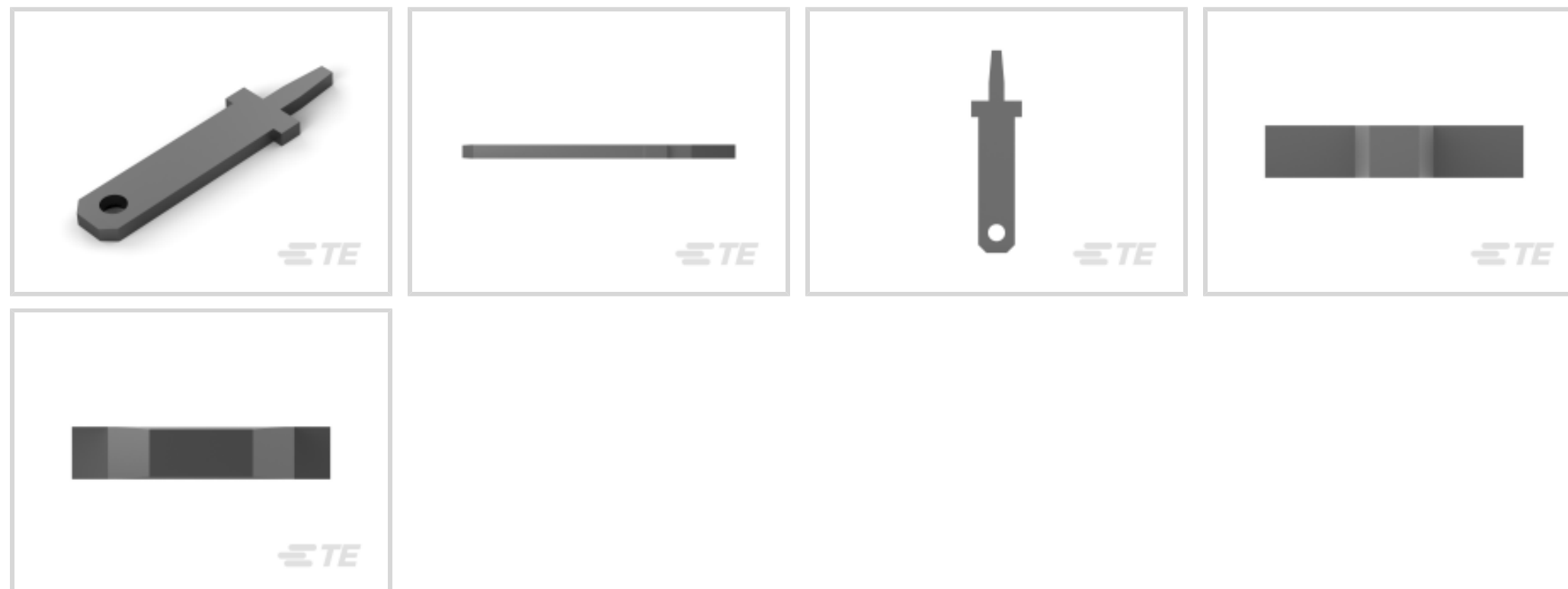
TE Internal #: 63756-1

PCB Terminals, Tab, Mating Tab Width 2.79 mm [.11 in], PCB Hole Diameter 1.21 – 1.11 mm [.048 – .044 in], Through Hole - Solder, FASTON 110

[View on TE.com >](#)



Terminals & Splices > PCB Terminals



PCB Terminal Type: **Tab**

PCB Thickness (Recommended): .81 – 2.36 mm [.032 – .093 in]

Mating Tab Width: 2.79 mm [.11 in]

Mating Tab Thickness: .8 mm [.032 in]

PCB Hole Diameter: 1.21 – 1.11 mm [.048 – .044 in]

Features

Configuration Features

Stud Hole	No
Terminal Angle	90 °

Body Features

Plating Thickness	3.81 µm[150 µin]
-------------------	------------------

Contact Features

Contact Plating Material	Tin
PCB Terminal Type	Tab
Mating Tab Width	2.79 mm[.11 in]
Mating Tab Thickness	.8 mm[.032 in]
Terminal Plating Material	Tin
Contact Underplating Material	Copper
Terminal Size	2.8
Terminal Orientation	Vertical

Termination Features



Termination Method to Printed Circuit Board	Through Hole - Solder
---	-----------------------

Product Terminates To	Printed Circuit Board
-----------------------	-----------------------

Dimensions

Extension Below Board	3.94 mm [.155 in]
-----------------------	-------------------

PCB Thickness (Recommended)	.81 – 2.36 mm [.032 – .093 in]
-----------------------------	--------------------------------

PCB Hole Diameter	1.21 – 1.11 mm [.048 – .044 in]
-------------------	---------------------------------

Profile Height from PCB	11.86 mm [.473 in]
-------------------------	--------------------

Usage Conditions

Insulation Option	Uninsulated
-------------------	-------------

Operating Temperature Range	-40 – 105 °C [-40 – 221 °F]
-----------------------------	-----------------------------

Industry Standards

CSA Certified	Yes
---------------	-----

UL Rating	Recognized
-----------	------------

Packaging Features

Packaging Quantity	10000
--------------------	-------

Packaging Method	Reel
------------------	------

Other

Comment	Insertion machine available.
---------	------------------------------

Product Compliance

[For compliance documentation, visit the product page on TE.com>](#)

EU RoHS Directive 2011/65/EU	Compliant
------------------------------	-----------

EU ELV Directive 2000/53/EC	Compliant
-----------------------------	-----------

China RoHS 2 Directive MIIT Order No 32, 2016	No Restricted Materials Above Threshold
---	---

EU REACH Regulation (EC) No. 1907/2006	Current ECHA Candidate List: JUNE 2022 (224) Candidate List Declared Against: JAN 2022 (223) SVHC > Threshold: Not Yet Reviewed
--	--

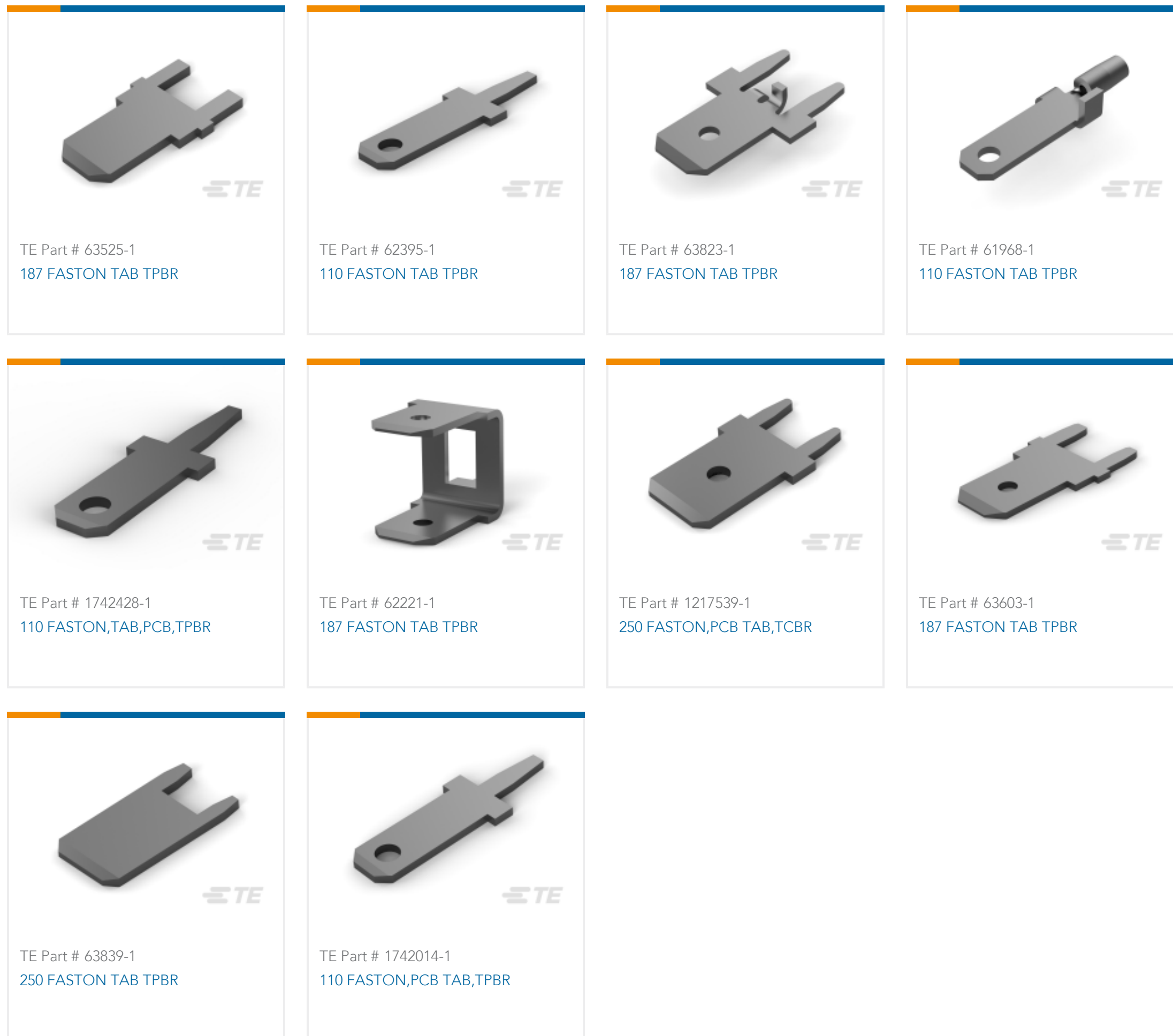
Halogen Content	Low Halogen - Br, Cl, F, I < 900 ppm per homogenous material. Also BFR/CFR/PVC Free
-----------------	---

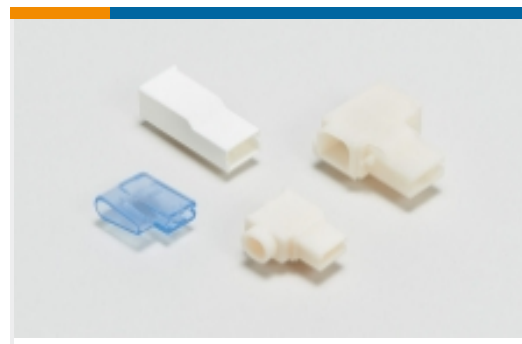
Solder Process Capability	Wave solder capable to 265°C
---------------------------	------------------------------

Product Compliance Disclaimer

This information is provided based on reasonable inquiry of our suppliers and represents our current actual knowledge based on the information they provided. This information is subject to change. The part numbers that TE has identified as EU RoHS compliant have a maximum concentration of 0.1% by weight in homogenous materials for lead, hexavalent chromium, mercury, PBB, PBDE, DBP, BBP, DEHP, DIBP, and 0.01% for cadmium, or qualify for an exemption to these limits as defined in the Annexes of Directive 2011/65/EU (RoHS2). Finished electrical and electronic equipment products will be CE marked as required by Directive 2011/65/EU. Components may not be CE marked. Additionally, the part numbers that TE has identified as EU ELV compliant have a maximum concentration of 0.1% by weight in homogenous materials for lead, hexavalent chromium, and mercury, and 0.01% for cadmium, or qualify for an exemption to these limits as defined in the Annexes of Directive 2000/53/EC (ELV). Regarding the REACH Regulation, the information TE provides on SVHC in articles for this part number is based on the latest European Chemicals Agency (ECHA) 'Guidance on requirements for substances in articles' posted at this URL: <https://echa.europa.eu/guidance-documents/guidance-on-reach>

Compatible Parts

Also in the Series | **FASTON 110**



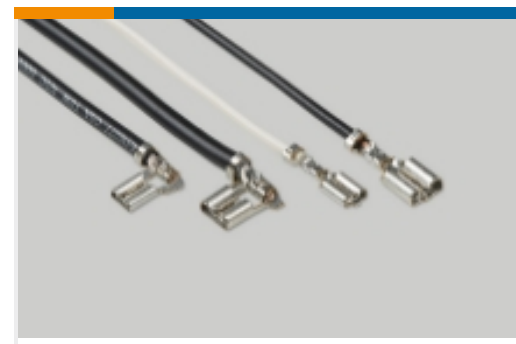
Crimp Terminal Housings(17)



Insertion & Extraction Tools(1)



PCB Terminals(21)



Quick Disconnects(173)

Customers Also Bought



TE Part #5413631-1
JACK,RTANG, PCB,50 OHM, BNC



TE Part #6-103735-3
14 MTE HDR SRST LATCH .100CL



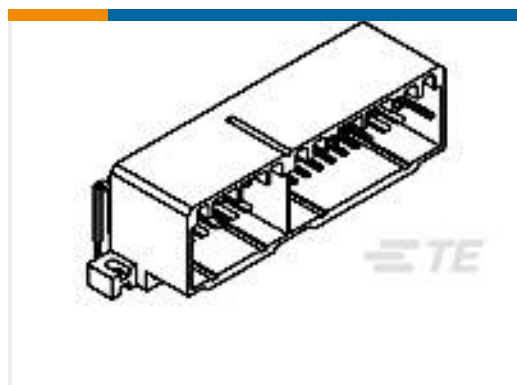
TE Part #1-380999-0
06P CMNL HDR ASSY NATL



TE Part #5-103672-4
05 MTE HDR SRRA LATCH W/HLDWN



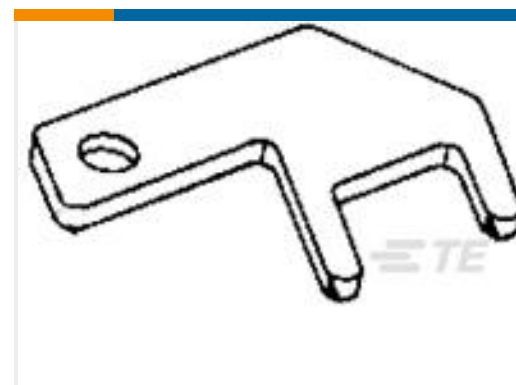
TE Part #5-2301996-8
RJ45 JACK INT.MAG. 1GB LED 1X2



TE Part #173864-1
070 MLC 24P CAP ASSY NATURAL



TE Part #3-644897-8
08P CST100 SHRD HDR ASSY LF



TE Part #1-725996-2
110 FASTON,FLAG,PCB TAB,TPBR



TE Part #4-1879262-0
RP 2B 17K8 0.1% 15PPM CUT LENGTH

Documents

Product Drawings

110 FASTON TAB TPBR

English

CAD Files

3D PDF

3D

Customer View Model

ENG_CVM_CVM_63756-1_K_c-63756-1-k.2d_dxf.zip



English

Customer View Model

[ENG_CVM_CVM_63756-1_K_c-63756-1-k.3d_igs.zip](#)

English

Customer View Model

[ENG_CVM_CVM_63756-1_K_c-63756-1-k.3d_stp.zip](#)

English

By downloading the CAD file I accept and agree to the [Terms and Conditions](#) of use.

Datasheets & Catalog Pages

[FASTON PCB Tabs and Receptacles](#)

English

[PRINTED CIRCUIT BOARD TERMINALS AND DISCONNECTS](#)

English

Product Specifications

[Application Specification](#)

English

Product Environmental Compliance

[MD_63756-1_111420172357_dmtec](#)

English

[MD_63756-1_111420172357_dmtec](#)

English

Agency Approvals

[CSA Certificate](#)

English

[CSA Certificate](#)

English