

MTA 156

TE Internal #: 640643-6

PCB Connector Covers, Cover, 6 Position, .156 in [3.96 mm]

Centerline, Polyester, Standard Product Profile, Dust Protection,

MTA 156

[View on TE.com >](#)

Connectors > PCB Connectors > PCB Connector Accessories > Protection & Strain Relief > PCB Connector Covers

Protection & Strain Relief Accessory Type: **Cover**Number of Positions: **6**Centerline (Pitch): **3.96 mm [.156 in]**Primary Product Material: **Polyester**Product Profile: **Standard**

Features

Product Type Features

Protection & Strain Relief Accessory Type	Cover
Product Profile	Standard
Connector Cover Type	Dust Protection

Configuration Features

Number of Positions	6
---------------------	---

Body Features

Primary Product Color	Natural
Primary Product Material	Polyester

Housing Features

Centerline (Pitch)	3.96 mm [.156 in]
--------------------	-------------------

Usage Conditions

Compatible With IDC Installation Type Connector	Feed Thru
Operating Temperature Range	-55 – 105 °C [-67 – 221 °F]

Industry Standards

UL Flammability Rating

UL 94V-0

Product Compliance

For compliance documentation, visit the product page on TE.com>

EU RoHS Directive 2011/65/EU

Compliant

EU ELV Directive 2000/53/EC

Compliant

China RoHS 2 Directive MIIT Order No 32, 2016

No Restricted Materials Above Threshold

EU REACH Regulation (EC) No. 1907/2006

Current ECHA Candidate List: JUNE 2022 (224)
 Candidate List Declared Against: JAN 2022 (223)
 SVHC > Threshold:
 Not Yet Reviewed

Halogen Content

Not Low Halogen - contains Br or Cl > 900 ppm.

Solder Process Capability

Not applicable for solder process capability

Product Compliance Disclaimer

This information is provided based on reasonable inquiry of our suppliers and represents our current actual knowledge based on the information they provided. This information is subject to change. The part numbers that TE has identified as EU RoHS compliant have a maximum concentration of 0.1% by weight in homogenous materials for lead, hexavalent chromium, mercury, PBB, PBDE, DBP, BBP, DEHP, DIBP, and 0.01% for cadmium, or qualify for an exemption to these limits as defined in the Annexes of Directive 2011/65/EU (RoHS2). Finished electrical and electronic equipment products will be CE marked as required by Directive 2011/65/EU. Components may not be CE marked. Additionally, the part numbers that TE has identified as EU ELV compliant have a maximum concentration of 0.1% by weight in homogenous materials for lead, hexavalent chromium, and mercury, and 0.01% for cadmium, or qualify for an exemption to these limits as defined in the Annexes of Directive 2000/53/EC (ELV). Regarding the REACH Regulation, the information TE provides on SVHC in articles for this part number is based on the latest European Chemicals Agency (ECHA) 'Guidance on requirements for substances in articles' posted at this URL: <https://echa.europa.eu/guidance-documents/guidance-on-reach>

Compatible Parts





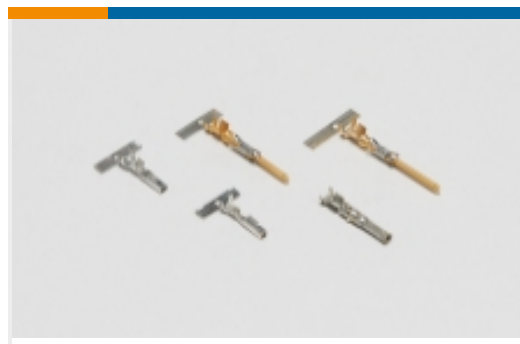
 <p>TE Part # 640387-6 06P MTA156 HDR ASSY SQ R/A</p>	 <p>TE Part # 3-640426-6 06P MTA156 CONN ASSY 18AWG ORA</p>	 <p>TE Part # 3-640599-6 06P MTA156 CONN ASSY 18AWG ORA</p>	 <p>TE Part # 3-640427-6 06P MTA156 CONN ASSY 20AWG YEL</p>
 <p>TE Part # 644752-6 06P MTA156 HDR ASSY SQ STR F/L</p>	 <p>TE Part # 640384-6 06P MTA156 HDR ASSY STR RND SN</p>	 <p>TE Part # 640388-6 06P MTA156 HDR ASSY RN STR F/L</p>	 <p>TE Part # 3-644465-6 06P MTA156 CONN ASSY 18AWG ORA</p>
 <p>TE Part # 644408-1 06P MTA156 HDR ASSY,R/A,W/O#4</p>	 <p>TE Part # 640385-6 06P MTA156 HDR ASSY SQ R/A</p>	 <p>TE Part # 640383-6 06P MTA156 HDR ASSY STR SQ SN</p>	 <p>TE Part # 644408-2 06P MTA156 HDR ASSY,R/A,W/O#5</p>
 <p>TE Part # 3-641208-6 06P MTA156 HDR ASSY FL ST LF</p>	 <p>TE Part # 3-640431-6 06P MTA156 CONN ASSY 18AWG ORA</p>	 <p>TE Part # 3-643818-6 06P MTA156 CONN ASSY 20AWG YEL</p>	 <p>TE Part # 640445-6 06P MTA156 HDR ASSY FL/STR SN</p>

Also in the Series | **MTA 156**

 <p>Insertion & Extraction Tools(1)</p>	 <p>PCB Connector Covers(92)</p>	 <p>PCB Connector Keying(2)</p>	 <p>PCB Connector Mounting(1)</p>
--	---	--	--



PCB Headers & Receptacles(729)



Power Contacts(3)



Rectangular Caps & Covers(1)



Rectangular Power Connectors(749)



Standard Rectangular Connectors (1309)



Wire-to-Board Connector Contacts(12)

Customers Also Bought



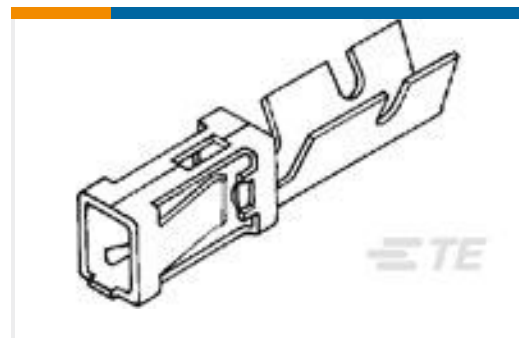
TE Part #86557-6
FFC PIN ROUND WIRE PLATED



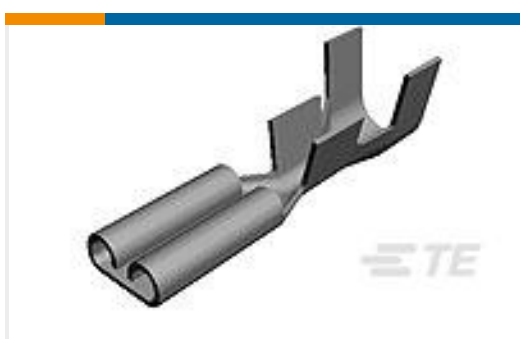
TE Part #173977-8
CT CONN MT REC ASSY 8P



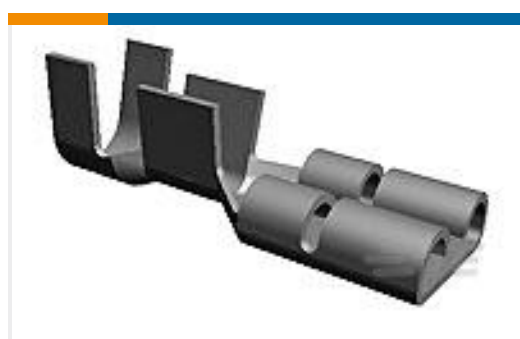
TE Part #1-154719-0
PL 250 REC HSG 1P NYLON NAT



TE Part #280702-1
AMPMODU CONT.



TE Part #180437-2
110 FASTON,REC.,20-16 AWG,PTBR



TE Part #280000-6
250 FASTON,REC.,24-17 AWG,TPBR



TE Part #640716-1
09P UMNL STR/REL & INSRT



TE Part #8638622003
RNF-3000-18/6-0-STK

Documents

Product Drawings
06P MTA156 COVER F/T

English

CAD Files

3D PDF

3D

Customer View Model

ENG_CVM_CVM_640643-6_N.2d_dxf.zip



English

Customer View Model

[ENG_CVM_CVM_640643-6_N.3d_igs.zip](#)

English

Customer View Model

[ENG_CVM_CVM_640643-6_N.3d_stp.zip](#)

English

Customer View Model

[ENG_CVM_640643-6_R.3d_igs.zip](#)

English

Customer View Model

[ENG_CVM_640643-6_R.3d_stp.zip](#)

English

Customer View Model

[ENG_CVM_640643-6_R.2d_dxf.zip](#)

English

[3D PDF](#)

English

By downloading the CAD file I accept and agree to the [Terms and Conditions](#) of use.

Datasheets & Catalog Pages

[MTA, CST-100 II, SL-156 and AMP Economy Power \(EP\) Connectors](#)

English

Product Specifications

[Application Specification](#)

Japanese

[Application Specification](#)

English

[MTA 156 Ribbon Cable Connector Assemblies \(English And Spanish\)](#)

English

[MTA 156 Ribbon Cable Connector Assemblies \(English And Spanish\)](#)

Japanese