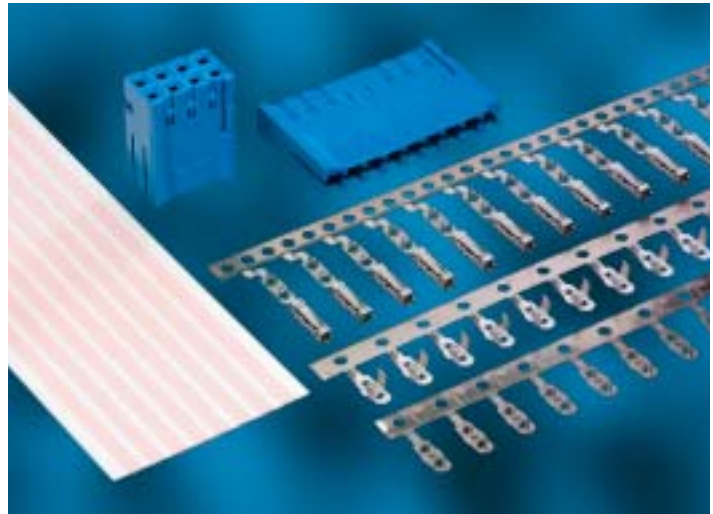


## 2.54 mm Spacing for FFC / FPC / CIC

### Features

- Available in 2 to 36 positions per row
- Single or double row
- Gold or tin plated option
- Gas tight
- Highly reliable Insulation Displacement Contact (IDC) termination technique
- Low-cost connection system
- Versatility
- Long-life contacts
- Mates with 0.62 mm square or round pins as short as 5 mm
- Dedicated application equipment



### Benefits

- Ideal for large-volume users.
- Mass-termination reduces overall applied costs and time.
- Contacts fitting all housing styles ensures versatility and minimizes stock values.

### Technical Data

#### Material

**Housing** : Thermoplastic Polyester, glass reinforced, UL94V-0, Blue

**Contact** : Phosphor Bronze, Gold-duplex or Tin alloy plated

Cable specification	
Specification:	IPC Standard FC-220C. Cables type A or B
Thickness:	0.305 ±0.025 mm(0.012±0.0001 inch) incl. insulation
Insulation material:	Mylar, Kapton or Nomex (polyester/polyamide)
Conductor Thickness:	0.076 ±0.013 mm (0.003±0.0005 inch), 305 gr/m <sup>2</sup> 0.127 ±0.013 mm (0.005±0.0005 inch), 610 gr/m <sup>2</sup>
Conductor width:	1.57 ± 0.07 mm (0.062±0.003 inch)
Conductor pitch:	2.54 ±0.05 mm (0.100±0.002 inch)
Thickness for non standard cable:	0.11 - 0.35 mm (0.004 - 0.013 inch)
Mating pin:	0.64 mm square (0.025 inch), min. 5.00 mm(0.196 inch) length
Cable specification and application data sheet TA 338 and TA 333 on request	

2.54 mm Spacing for FFC / FPC / CIC

Ordering Data

Housing

5 digit partnumber - 0 02

67013 = single row housing  
66987 = double row housing

Number of contacts per row = 02 to 36

Contact

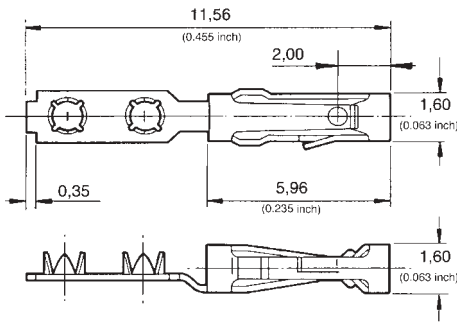
76785 - 3 01

Packaging 01 = 15000 per cardboard reel  
11 = 3000 per cardboard reel

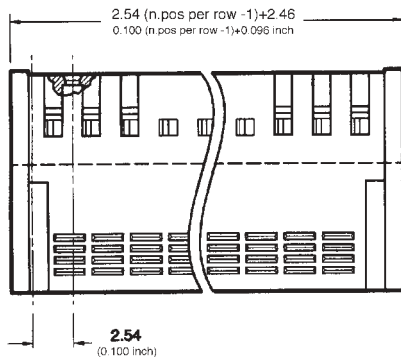
Plating 3 = 0.75µm gold contact area, tin-lead cable area, 0.30N min./0.60N max. insertion force  
4 = 5.00µm tin-lead contact area, tin-lead cable area, 0.30N min./0.60N max. insertion force

Dimensions

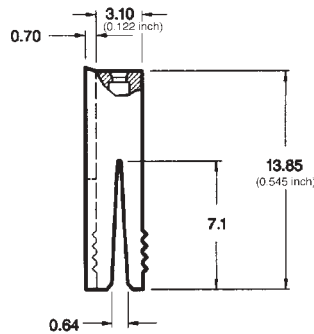
Contact



Housing



Single row



Double row

