

641685-1 ✓ ACTIVE

AMP

TE Internal #: 641685-1

Rectangular Power Connectors, Housing, Plug, Wire-to-Wire, 4 Position, .55 in [13.97 mm] Centerline, Wire & Cable, UL 94V-0

[View on TE.com >](#)



Connectors > Power Connectors > Rectangular Power > Rectangular Power Connectors



Rectangular Power Connector Type: **Housing**

Connector & Housing Type: **Plug**

Connector System: **Wire-to-Wire**

Number of Positions: **4**

Centerline (Pitch): **13.97 mm [.55 in]**

Features

Product Type Features

Rectangular Power Connector Type	Housing
Connector & Housing Type	Plug
Connector System	Wire-to-Wire
Sealable	No
Connector & Contact Terminates To	Wire & Cable

Configuration Features

Number of Positions	4
Number of Power Positions	4
Number of Signal Positions	0
Number of Rows	2

Electrical Characteristics

Operating Voltage	600 VDC
-------------------	---------

Contact Features

Contact Current Rating (Max)	35 A
------------------------------	------



Contact Retention Within Housing	With
----------------------------------	------

Contact Type	Hermaphroditic
--------------	----------------

Termination Features

Termination Method to Wire & Cable	Crimp
------------------------------------	-------

Mechanical Attachment

Connector Mounting Type	Panel Mount
-------------------------	-------------

Housing Features

Centerline (Pitch)	13.97 mm [.55 in]
--------------------	-------------------

Housing Color	Black
---------------	-------

Housing Material	Nylon GF
------------------	----------

Dimensions

Height	26.42 mm
--------	----------

Width	33.15 mm
-------	----------

Length	40.64 mm
--------	----------

Usage Conditions

Operating Temperature Range	-55 – 85 °C [-67 – 185 °F]
-----------------------------	----------------------------

Operation/Application

Circuit Application	Power
---------------------	-------

Industry Standards

UL Flammability Rating	UL 94V-0
------------------------	----------

Glow Wire Rating	Standard Part - Not Glow Wire
------------------	-------------------------------

Agency/Standard Number	E28476
------------------------	--------

Packaging Features

Packaging Method	Box
------------------	-----

Packaging Quantity	1
--------------------	---

Product Compliance

[For compliance documentation, visit the product page on TE.com>](#)

EU RoHS Directive 2011/65/EU	Compliant
------------------------------	-----------

EU ELV Directive 2000/53/EC	Compliant
-----------------------------	-----------

China RoHS 2 Directive MIIT Order No 32, 2016	No Restricted Materials Above Threshold
---	---

EU REACH Regulation (EC) No. 1907/2006	
--	--



Current ECHA Candidate List: JUNE 2022
(224)

Candidate List Declared Against: JAN 2022
(223)

SVHC > Threshold:
Not Yet Reviewed

Halogen Content

BFR/CFR/PVC Free, but Br/Cl >900 ppm in other sources.

Solder Process Capability

Not applicable for solder process capability

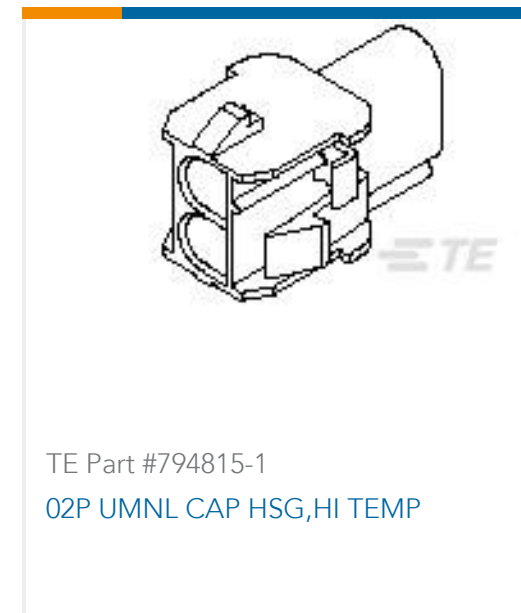
Product Compliance Disclaimer

This information is provided based on reasonable inquiry of our suppliers and represents our current actual knowledge based on the information they provided. This information is subject to change. The part numbers that TE has identified as EU RoHS compliant have a maximum concentration of 0.1% by weight in homogenous materials for lead, hexavalent chromium, mercury, PBB, PBDE, DBP, BBP, DEHP, DIBP, and 0.01% for cadmium, or qualify for an exemption to these limits as defined in the Annexes of Directive 2011/65/EU (RoHS2). Finished electrical and electronic equipment products will be CE marked as required by Directive 2011/65/EU. Components may not be CE marked. Additionally, the part numbers that TE has identified as EU ELV compliant have a maximum concentration of 0.1% by weight in homogenous materials for lead, hexavalent chromium, and mercury, and 0.01% for cadmium, or qualify for an exemption to these limits as defined in the Annexes of Directive 2000/53/EC (ELV). Regarding the REACH Regulation, the information TE provides on SVHC in articles for this part number is based on the latest European Chemicals Agency (ECHA) 'Guidance on requirements for substances in articles' posted at this URL: <https://echa.europa.eu/guidance-documents/guidance-on-reach>

Compatible Parts



Customers Also Bought





Documents

Product Drawings

PLUG, HIGH CURRENT, 4 CIRCUIT

English

CAD Files

3D PDF

3D

Customer View Model

[ENG_CVM_CVM_641685-1_Y.2d_dxf.zip](#)

English

Customer View Model

[ENG_CVM_CVM_641685-1_Y.3d_igs.zip](#)

English

Customer View Model

[ENG_CVM_CVM_641685-1_Y.3d_stp.zip](#)

English

3D PDF

English

Customer View Model

[ENG_CVM_641685-1_H.2d_dxf.zip](#)

English

Customer View Model

[ENG_CVM_641685-1_H.3d_igs.zip](#)

English

Customer View Model

[ENG_CVM_641685-1_H.3d_stp.zip](#)

English



By downloading the CAD file I accept and agree to the [Terms and Conditions](#) of use.

Datasheets & Catalog Pages

[1654742_HOUSEHOLD_APPLIANCES_RAST5](#)

English

Product Specifications

[Product Specification](#)

English

Product Environmental Compliance

[MD_641685-1_1003201601_dmtec](#)

English

[MD_641685-1_1003201601_dmtec](#)

English

Agency Approvals

[UL Report](#)

English