

63625-1 ✓ ACTIVE



## SPLICE

TE Internal #: 63625-1

Splices, 13 – 8 AWG Wire Size, 2.5 – 8.1 mm<sup>2</sup> Wire Size, 5000 – 16000 CMA Wire Size, Brass, Pigtail Splice / Thru Splice Splice, 0 Serration, SPLICE

[View on TE.com >](#)

Terminals & Splices > Splices



Wire Size: 5000 – 16000 CMA

Sealable: No

Primary Product Material: Brass

### Features

#### Product Type Features

Barrel Style	Standard
Sealable	No
Splice Type	Pigtail Splice, Thru Splice
Serrated	No
Compatible With Discrete Wire Type	Solid, Stranded
Wire Insulation Support Retention Type	Non-Insulation Support

#### Configuration Features

Number of Serrations	0
Compatible With Wire & Cable Type	Discrete Wire

#### Body Features

Weight per Piece	.739 g[.026 oz]
Plating Material	Unplated
Primary Product Material	Brass

#### Contact Features

Barrel Type	Open
-------------	------



### Mechanical Attachment

Wire Insulation Support	Without
-------------------------	---------

### Dimensions

Wire Size	5000 – 16000 CMA
Terminal Material Thickness	.64 mm[.025 in]
Overall Product Length	6.78 mm[.267 in]

### Usage Conditions

Insulation Option	Uninsulated
Operating Temperature Range	-40 – 110 °C[-40 – 230 °F]

### Operation/Application

Heavy Duty	No
Compatible With Wire Base Material	Copper

### Industry Standards

Government Qualified Splice	No
-----------------------------	----

### Packaging Features

Packaging Quantity	3500
Packaging Method	Strip

### Product Compliance

[For compliance documentation, visit the product page on TE.com>](#)

EU RoHS Directive 2011/65/EU	Compliant
EU ELV Directive 2000/53/EC	Compliant
China RoHS 2 Directive MIIT Order No 32, 2016	No Restricted Materials Above Threshold
EU REACH Regulation (EC) No. 1907/2006	Current ECHA Candidate List: JUNE 2022 (224) Candidate List Declared Against: JAN 2022 (223) SVHC > Threshold: Not Yet Reviewed
Halogen Content	Low Halogen - Br, Cl, F, I < 900 ppm per homogenous material. Also BFR/CFR/PVC Free
Solder Process Capability	Not applicable for solder process capability

Product Compliance Disclaimer

This information is provided based on reasonable inquiry of our suppliers and represents our current actual knowledge based on the information they provided. This information is subject to change. The part numbers that TE has identified as EU RoHS compliant have a maximum concentration of 0.1% by weight in homogenous materials for lead, hexavalent chromium, mercury, PBB, PBDE, DBP, BBP, DEHP, DIBP, and 0.01% for cadmium, or qualify for an exemption to these limits as defined in the Annexes of Directive 2011/65/EU (RoHS2). Finished electrical and electronic equipment products will be CE marked as required by Directive 2011/65/EU. Components may not be CE marked. Additionally, the part numbers that TE has identified as EU ELV compliant have a maximum concentration of 0.1% by weight in homogenous materials for lead, hexavalent chromium, and mercury, and 0.01% for cadmium, or qualify for an exemption to these limits as defined in the Annexes of Directive 2000/53/EC (ELV). Regarding the REACH Regulation, the information TE provides on SVHC in articles for this part number is based on the latest European Chemicals Agency (ECHA) 'Guidance on requirements for substances in articles' posted at this URL: <https://echa.europa.eu/guidance-documents/guidance-on-reach>

## Compatible Parts



## Also in the Series | SPLICE



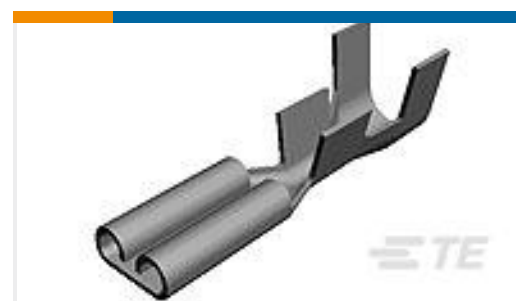
## Customers Also Bought



TE Part #5-1971875-3  
PTL 3X3 CAP PANEL MT HITEMP KEY  
A LGR



TE Part #485043-1  
SPLICE 4000-9000 .020 BR



TE Part #41728  
250 FASTON REC 16-12 AWG TPBR



TE Part #63130-2  
SPLICE REC. 1500-5000 .020 BR



TE Part #63677-1  
312 FASTON REC 16-12 AWG TPBR



TE Part #1-1743068-1  
3 POS PL 187(4.8 MM) HOUSING  
NATURAL



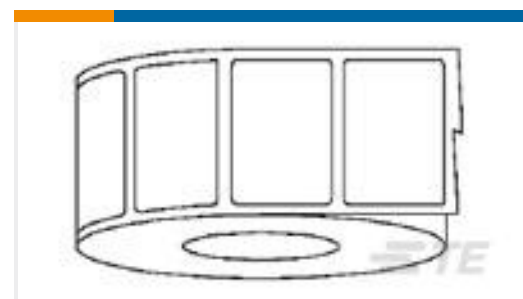
TE Part #1-1969443-0  
EP 2.5 TPA Retainer, 10 Pos



TE Part #63925-1  
SHUR PLUG .156 Dia 14-12 AWG  
PTPBR



TE Part #3-2299286-2  
POD-LOK 187 STR. AWG 24-20 PTPBR



TE Part #D69815-000  
EP-101381-2.5-9

## Documents

### Product Drawings

[SPLICE 5000-16000 .025 BR](#)

English

### CAD Files

[3D PDF](#)

3D

Customer View Model

[ENG\\_CVM\\_CVM\\_63625-1\\_H\\_c-63625-1-h.2d\\_dxf.zip](#)

English

Customer View Model

[ENG\\_CVM\\_CVM\\_63625-1\\_H\\_c-63625-1-h.3d\\_igs.zip](#)

English

Customer View Model

[ENG\\_CVM\\_CVM\\_63625-1\\_H\\_c-63625-1-h.3d\\_stp.zip](#)

English

By downloading the CAD file I accept and agree to the [Terms and Conditions](#) of use.

### Product Specifications



### Application Specification

English

---

### Product Environmental Compliance

[MD\\_63625-1\\_032020181243\\_dmtec](#)

English

[MD\\_63625-1\\_032020181243\\_dmtec](#)

English

---

### Agency Approvals

[CSA Certificate](#)

English