

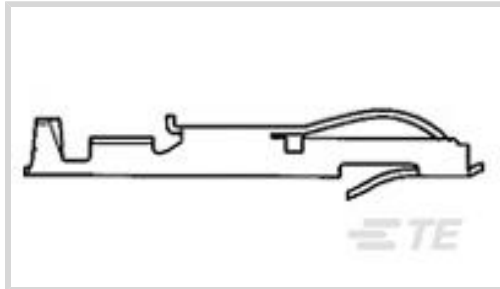
AMP

TE Internal #: 583853-8

Connector Contact, Socket, Wire-to-Board, .156 in [3.18 mm / 3.96 mm / 2.54 mm] Centerline, 24 – 20 AWG Wire Size, 404 – 1020 CMA Wire Size

[View on TE.com >](#)

Connectors > PCB Connectors > Wire-to-Board Connectors > Wire-to-Board Connector Contacts

Contact Type: **Socket**Connector System: **Wire-to-Board**Centerline (Pitch): **2.54 mm, 3.18 mm, 3.96 mm [.156 in]**Wire Size: **404 – 1020 CMA**

Features

Product Type Features

Connector System	Wire-to-Board
Sealable	No
Connector & Contact Terminates To	Wire & Cable

Contact Features

Contact Retention Within Housing	With
	50 µin
Wire Contact Termination Area Plating Material	Gold Flash
Contact Underplating Material	Nickel
PCB Contact Termination Area Plating Material	Gold Flash
Contact Base Material	Phosphor Bronze
Contact Type	Socket
Contact Mating Area Plating Material	Gold
Contact Current Rating (Max)	5 A

Termination Features

Termination Method to Wire & Cable	Crimp
------------------------------------	-------

Mechanical Attachment

Contact Retention Type Within Housing	Locking Lance
---------------------------------------	---------------

Housing Features

Centerline (Pitch)	2.54 mm, 3.18 mm, 3.96 mm [.156 in]
--------------------	-------------------------------------

Dimensions

Accepts Wire Insulation Diameter Range	1.22 – 1.52 mm [.048 – .06 in]
Wire Size	.2 – .6 mm ²

Usage Conditions

Operating Temperature Range	-40 – 85 °C [-40 – 185 °F]
-----------------------------	----------------------------

Operation/Application

Circuit Application	Power & Signal
---------------------	----------------

Identification Marking

Wire Range Color Code	Green
-----------------------	-------

Packaging Features

Packaging Quantity	7000
Packaging Method	Strip

Product Compliance

[For compliance documentation, visit the product page on TE.com>](#)

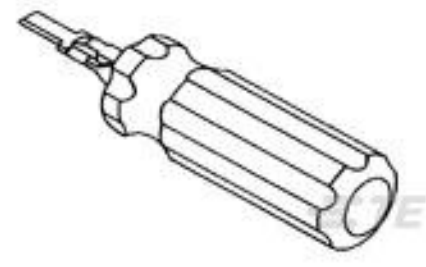
EU RoHS Directive 2011/65/EU	Compliant
EU ELV Directive 2000/53/EC	Compliant
China RoHS 2 Directive MIIT Order No 32, 2016	No Restricted Materials Above Threshold
EU REACH Regulation (EC) No. 1907/2006	Current ECHA Candidate List: JUNE 2022 (224) Candidate List Declared Against: JAN 2022 (223) SVHC > Threshold: Not Yet Reviewed
Halogen Content	Low Halogen - Br, Cl, F, I < 900 ppm per homogenous material. Also BFR/CFR/PVC Free
Solder Process Capability	Not applicable for solder process capability

Product Compliance Disclaimer

This information is provided based on reasonable inquiry of our suppliers and represents our current actual knowledge based on the information they provided. This information is subject to change. The part numbers that TE has identified as EU RoHS compliant have a maximum concentration of 0.1% by weight in homogenous materials for lead, hexavalent chromium, mercury, PBB, PBDE, DBP, BBP, DEHP, DIBP, and 0.01% for cadmium, or qualify for an exemption to these limits as defined in the Annexes of Directive 2011/65/EU (RoHS2). Finished electrical and electronic equipment products will be CE marked as required by Directive 2011/65/EU. Components may not be CE marked. Additionally, the part numbers that TE has identified as EU ELV compliant have a maximum concentration of 0.1% by weight in homogenous materials for lead, hexavalent chromium, and mercury, and 0.01% for cadmium, or qualify for an exemption to these limits as defined in the Annexes of Directive 2000/53/EC (ELV). Regarding the REACH Regulation, the information TE provides on SVHC in articles for this part number is based on the latest European Chemicals Agency (ECHA) 'Guidance on

requirements for substances in articles' posted at this URL: <https://echa.europa.eu/guidance-documents/guidance-on-reach>

Compatible Parts



TE Part # 91073-1
TW LF EXT TOOL



TE Part # 2-2151985-1
OCEAN_2.0_APPLICATOR-S-055F062O



TE Part # 2-2151985-2
OCEAN_2.0_APPLICATOR-S-055F062OA



TE Part # 2151985-1
OCEAN_2.0_APPLICATOR-S-055F062O



TE Part # 2151985-2
OCEAN_2.0_APPLICATOR-S-055F062OA



TE Part # 7-2151985-1
OCEAN_2.0_APPLICATOR-S-055F062O



TE Part # 7-2151985-2
OCEAN_2.0_APPLICATOR-S-055F062OA

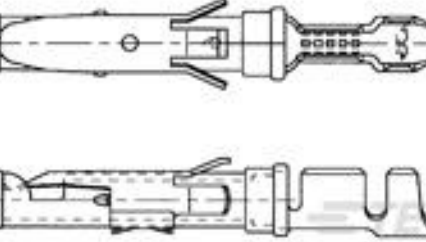


TE Part # 7-2151985-7
OCEAN_2.0_SPARE_PART_KIT-055F062O

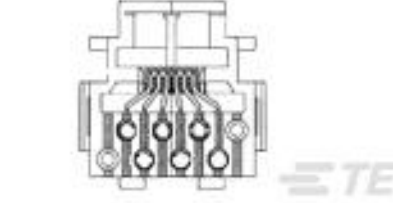


TE Part # 91535-1
CCII TWIN LEAF 24-20 ASSY

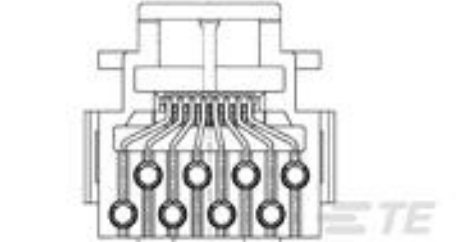
Customers Also Bought



TE Part #163088-2
LOOSE PC SOCKET TYPEIII+ CONTACT SIZE16



TE Part #216000-2
6P. TOOLLESS MOD J.



TE Part #216005-4
WITH STUFFER CAP



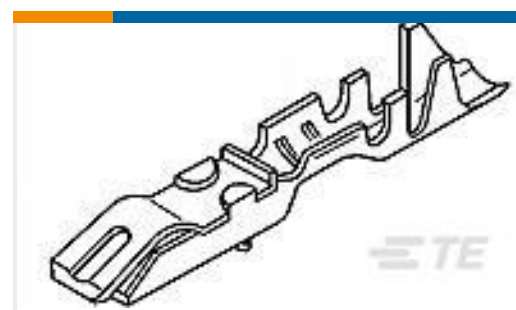
TE Part #280366
AMPMODU II REC. HSG DUAL ROW, 16 POS.



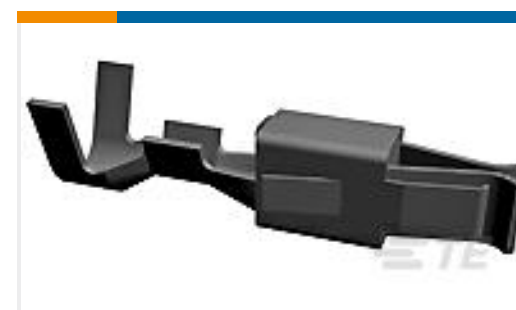
TE Part #1-87175-6
07 LOCKING CLIP HSG SR .100CL



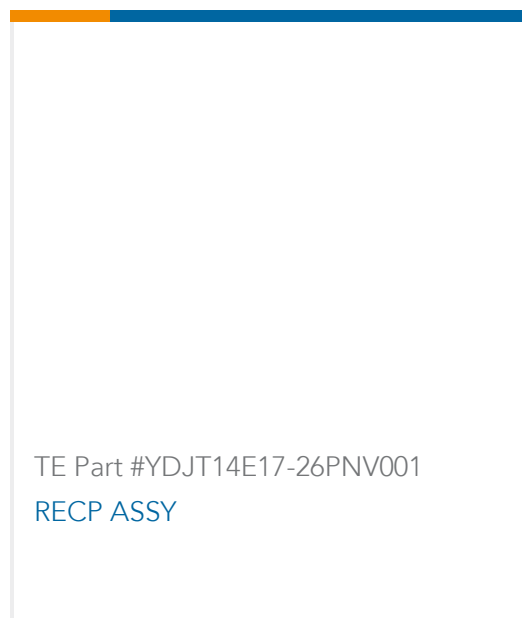
TE Part #5-102393-1
06 AMPMODU MT ASSY DR.100CL SN



TE Part #867052-1
LOCKING CLIP CONT ASSY .025 SQ



TE Part #2-927770-1
JPT REC 2.8 Contact SWS Au



TE Part #YDJT14E17-26PNV001
RECP ASSY

Documents

Product Drawings

TWIN LEAF TERMINAL STRIP

English

CAD Files

3D PDF

3D

Customer View Model

[ENG_CVM_CVM_583853-8_BR.2d_dxf.zip](#)

English

Customer View Model

[ENG_CVM_CVM_583853-8_BR.3d_igs.zip](#)

English

Customer View Model

[ENG_CVM_CVM_583853-8_BR.3d_stp.zip](#)

English

Customer View Model

[ENG_CVM_583853-8_V1.3d_igs.zip](#)

English

Customer View Model

[ENG_CVM_583853-8_V1.3d_stp.zip](#)

English

3D PDF

English

Customer View Model

[ENG_CVM_583853-8_V1.2d_dxf.zip](#)

English

583853-8

Connector Contact, Socket, Wire-to-Board, .156 in [3.18 mm / 3.96 mm / 2.54 mm]
Centerline, 24 – 20 AWG Wire Size, 404 – 1020 CMA Wire Size



By downloading the CAD file I accept and agree to the [Terms and Conditions](#) of use.

[Product Specifications](#)

[Application Specification](#)

English