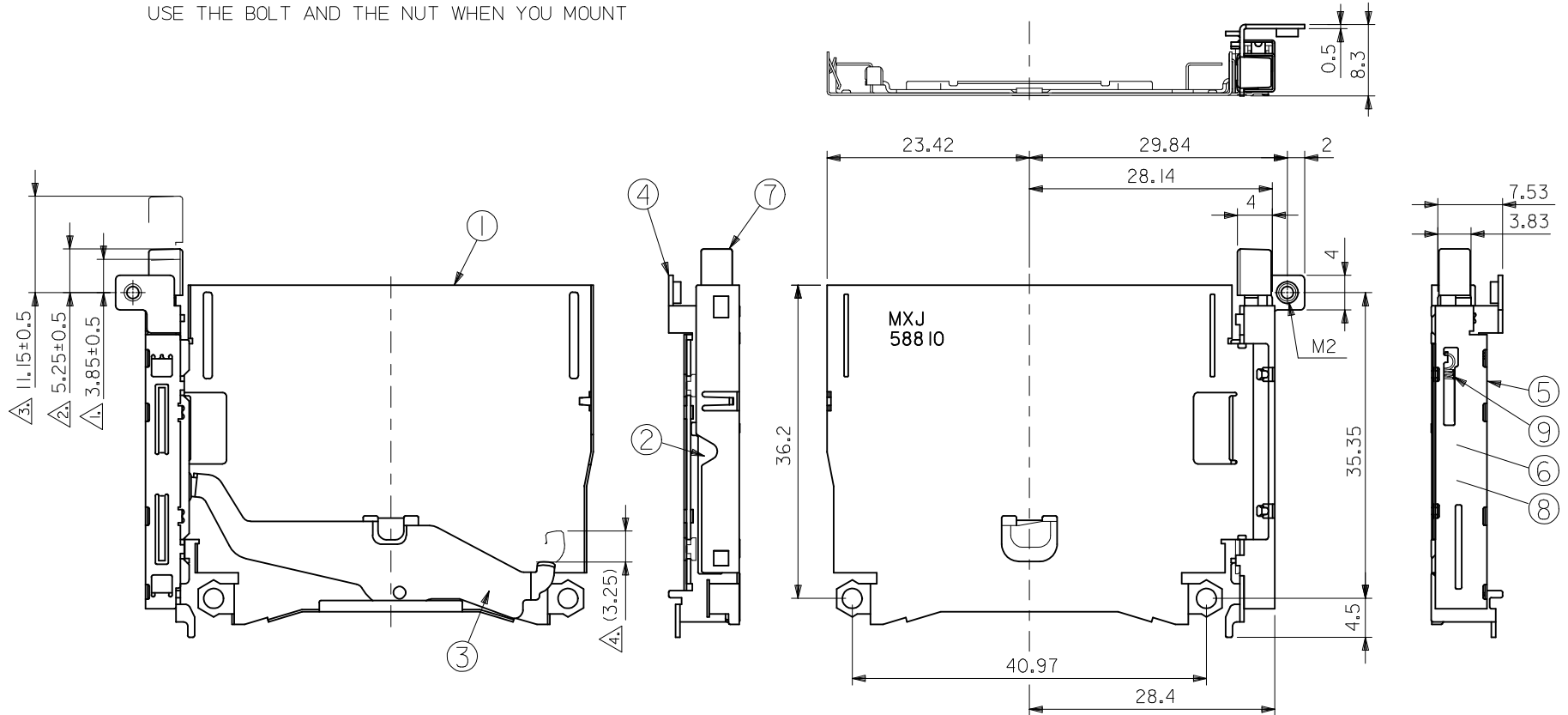
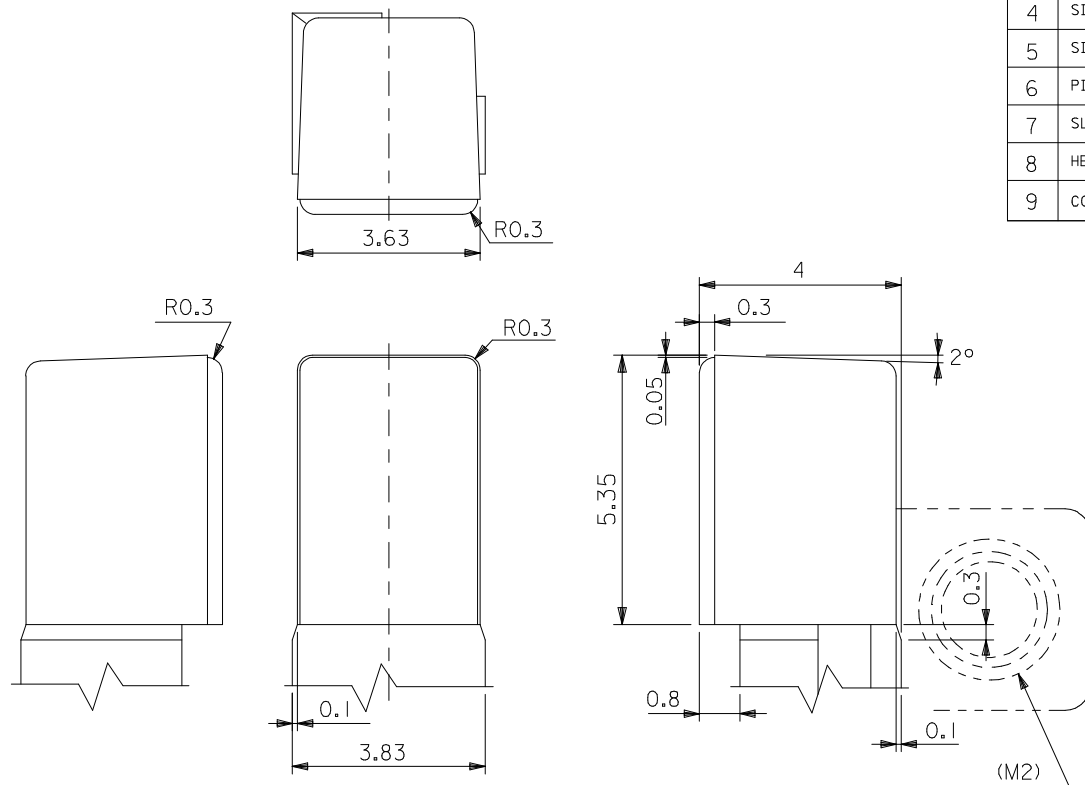


- 注) NOTES
- 1. ボタン・フルストローク位置。
BUTTON'S FULL STROKE POSITION.
 - 2. ボタン収納時位置。
BUTTON'S IN POSITION.
 - 3. ボタン突出時位置。
BUTTON'S OUT POSITION.
 - 4. イジェクト時、カード飛び出し量は(3.25)mm。
IN EJECTING OPERATION, CARD OUT BY (3.25)mm.
5. 実装時、ボルトとナットを使用すること
USE THE BOLT AND THE NUT WHEN YOU MOUNT



| | | | | | | |
|--|--|------------------|---|------------|--------------|--|
| REVISED EC NO: J2013-1600 DRWN: FUJII 2013/07/11 CHKD: SAKIYAMA 2013/07/11 APPR: NUKITA 2013/07/11 | GENERAL TOLERANCES (UNLESS SPECIFIED) | | DIMENSION STYLE | SCALE | DESIGN UNITS | THIRD ANGLE PROJECTION |
| | | | MM ONLY | 2:1 | METRIC | |
| | DESCRIPTION | 10 UNDER | ±0.2 | DRAWN BY | DATE | TITLE |
| | REV | 10 OVER 30 UNDER | ±0.25 | THIRATA | 1998/09/09 | CF CARD CONN. EJECT MECHANISM EJECT ASS'Y molex DOCUMENT NO. SD-55364-002 SHEET NO. 1 OF 2 |
| | 30 OVER | ±0.3 | CHECKED BY | DATE | | |
| | ANGULAR ±3 ° | | MSASAO | 1998/09/09 | | |
| | DRAFT WHERE APPLICABLE MUST REMAIN WITHIN DIMENSIONS | | APPROVED BY | DATE | | |
| | | | HIKESUGI | 1998/09/09 | | |
| | | | MATERIAL NO. | 55364-0011 | | |
| | | | SIZE | A3 | | |
| | | | THIS DRAWING CONTAINS INFORMATION THAT IS PROPRIETARY TO MOLEX INCORPORATED AND SHOULD NOT BE USED WITHOUT WRITTEN PERMISSION | | | |

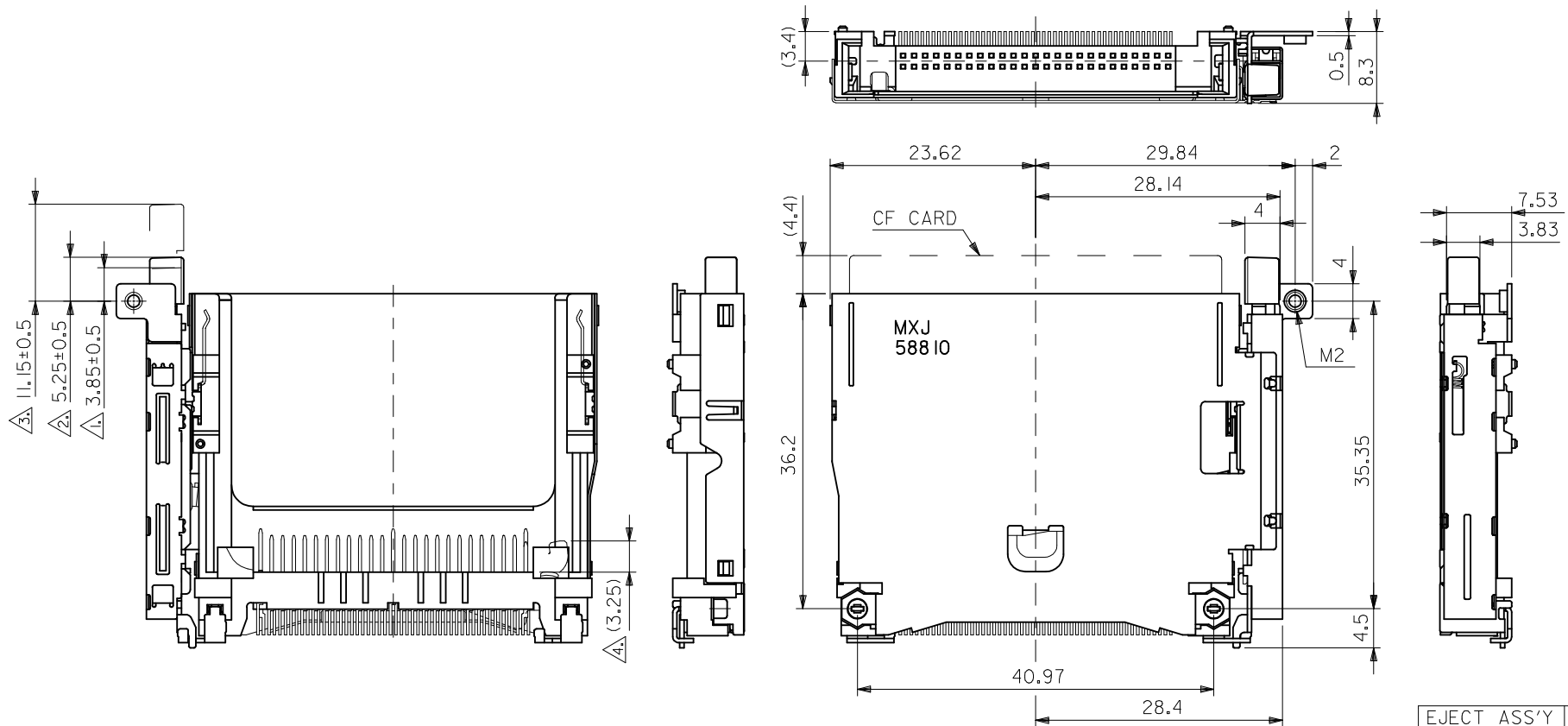
| No. | 品名 NAME | 材料 MATERIAL | 仕上り FINISH | 個数 PIECE |
|-----|-------------|---|---------------------------------------|-------------|
| 1 | METAL SHELL | ステンレス鋼 t0.25 STAINLESS STEEL t0.25 | → | 1 |
| 2 | PUSH ROD | ステンレス鋼 t0.5 STAINLESS STEEL t0.5 | → | 1 |
| 3 | LEVER | ステンレス鋼 t0.4 STAINLESS STEEL t0.4 | → | 1 |
| 4 | SIDE PLATE | ステンレス鋼 t0.5 STAINLESS STEEL t0.5 | → | 1 |
| 5 | SIDE COVER | ステンレス鋼 t0.25 STAINLESS STEEL t0.25 | → | 1 |
| 6 | PIN PLATE | 銅 STEEL | フッ素樹脂コーティング FLUORINE RESIN COATING | 1 |
| 7 | SLIDER | ポリカーボネート UL94V-0 色 : 黒色 POLYCARBONATE UL94V-0 COLOR: BLACK | → | 1 |
| 8 | HEART CAM | ポリカーボネート UL94V-0 色 : 黒色 POLYCARBONATE UL94V-0 COLOR: BLACK | → | 1 |
| 9 | COIL SPRING | ステンレス鋼 ϕ 0.22 STAINLESS STEEL ϕ 0.22 | → | 1 |



ボタン詳細寸法
DETAIL OF BUTTON

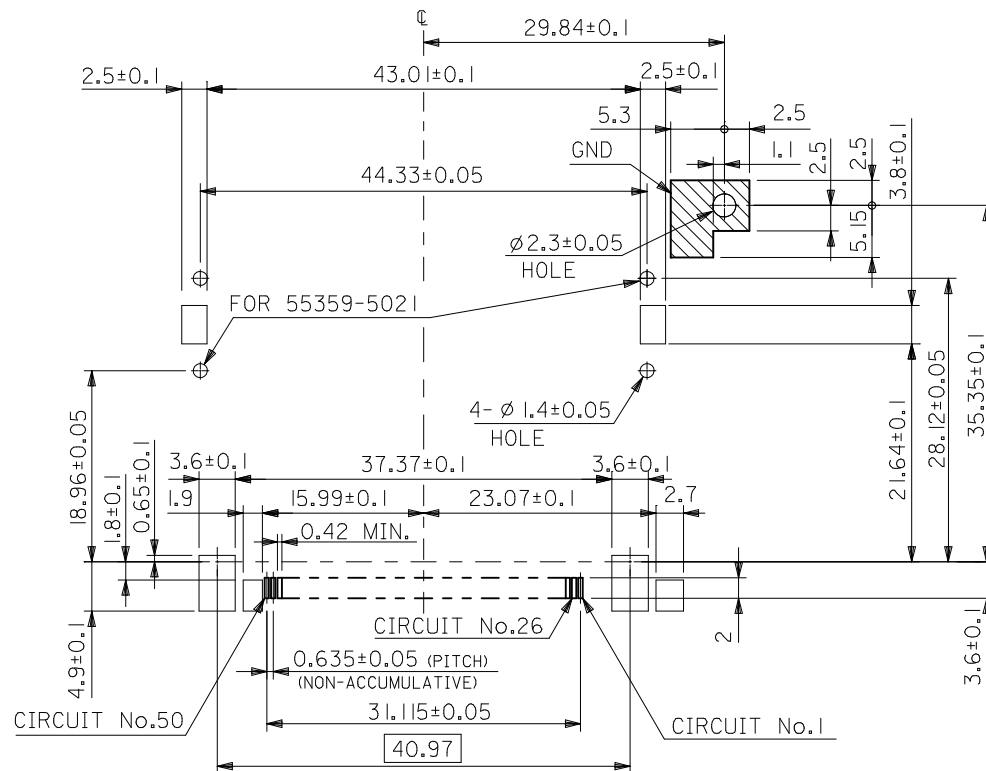
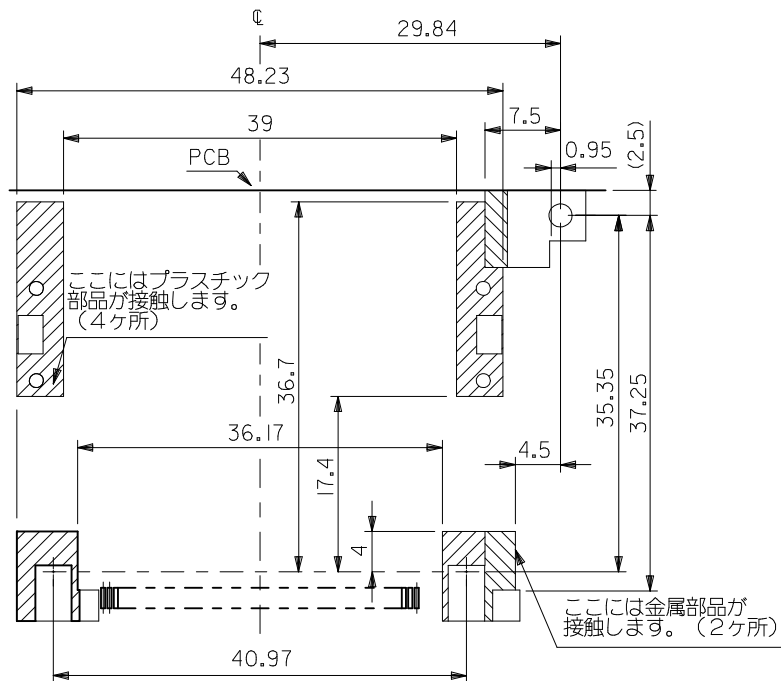
| | | | | | | | |
|--|---------------------------------------|---|----------------------------|-------------|---|------------------------|------------------------|
| REVISED EC NO: J2013-1600 DRWN: FUJII 2013/07/11 CHKD: SAKIYAMA 2013/07/11 APPR: NUKITA 2013/07/11 | GENERAL TOLERANCES (UNLESS SPECIFIED) | | DIMENSION STYLE MM ONLY | | SCALE 2:1 | DESIGN UNITS METRIC | THIRD ANGLE PROJECTION |
| | 10 UNDER | ± 0.2 | DRAWN BY | DATE | TITLE | | |
| | 10 OVER 30 UNDER | ± 0.25 | THIRATA | 1998/09/09 | CF CARD CONN. EJECT MECHANISM EJECT ASS'Y molex | | |
| | 30 OVER | ± 0.3 | CHECKED BY | DATE | | | |
| ANGULAR | $\pm 3^\circ$ | MSASAO | 1998/09/09 | APPROVED BY | DATE | MATERIAL NO. | DOCUMENT NO. |
| DRAFT WHERE APPLICABLE MUST REMAIN WITHIN DIMENSIONS | | HIKESUGI | 1998/09/09 | 55364-0011 | | SD-55364-002 | SHEET NO. 2 OF 2 |
| 1 | DESCRIPTION | THIS DRAWING CONTAINS INFORMATION THAT IS PROPRIETARY TO MOLEX INCORPORATED AND SHOULD NOT BE USED WITHOUT WRITTEN PERMISSION | | | | | |

- 注) NOTES
- 1. ボタン・フルストローク位置。
BUTTON'S FULL STROKE POSITION.
 - 2. ボタン収納時位置。
BUTTON'S IN POSITION.
 - 3. ボタン突出時位置。
BUTTON'S OUT POSITION.
 - 4. イジェクト時、カード飛び出し量は(3.25)mm。
IN EJECTING OPERATION, CARD OUT BY (3.25)mm.



| | |
|--------------|------------|
| EJECT ASS'Y | 55364-0011 |
| MATERIAL No. | |

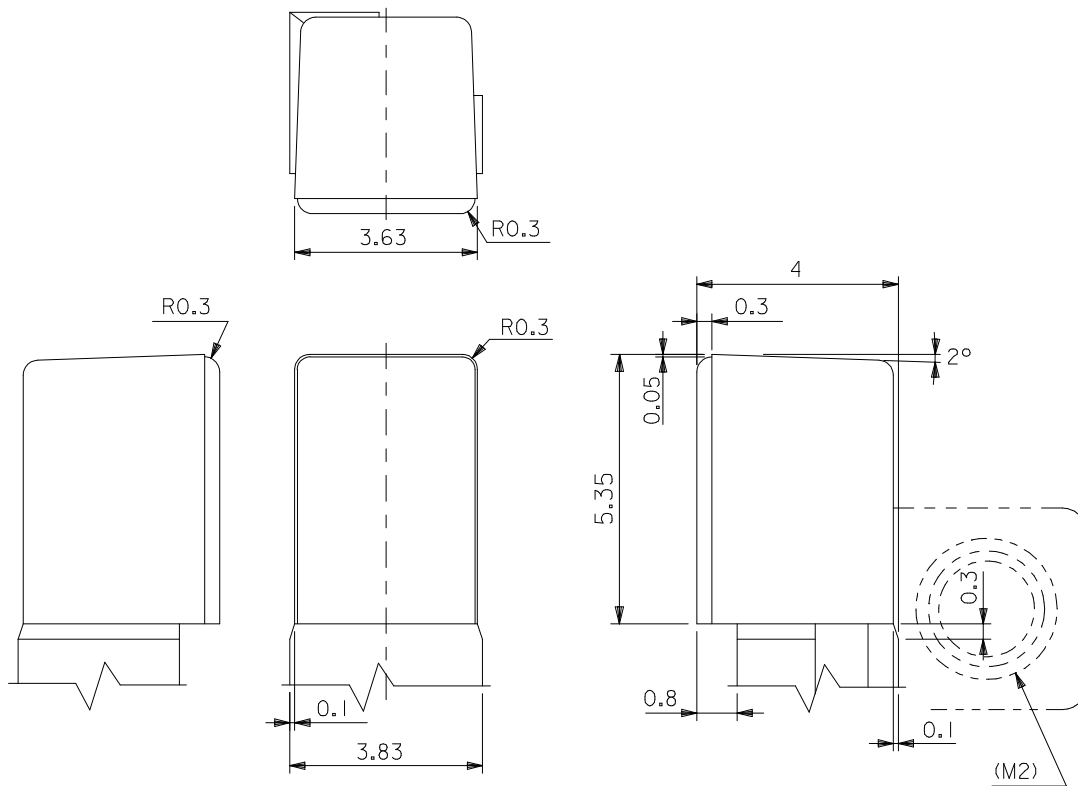
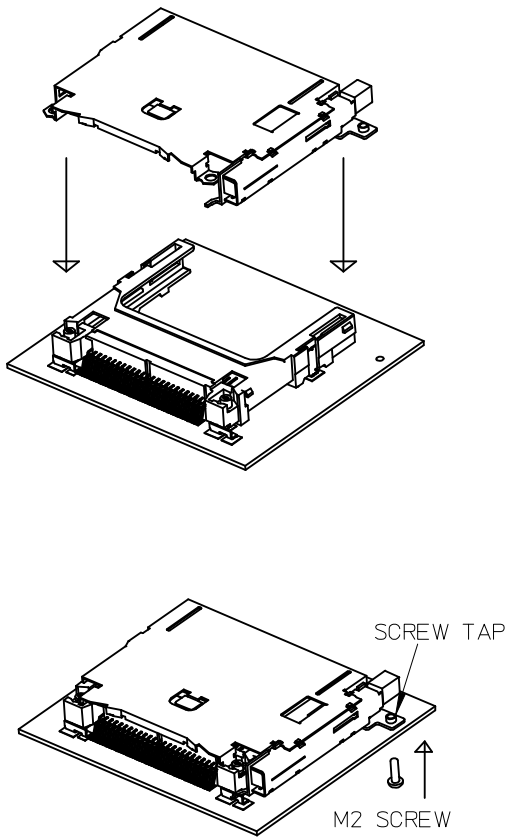
| | | | | | | |
|--|---------------------------------------|--|-----------------|--------------|---|--|
| REVISED EC NO.: J2014-0509 DRWN: YSEDA 2013/09/19 CHKD: ASHIMOTSU 2013/09/19 APPR: NUKITA 2013/10/01 | GENERAL TOLERANCES (UNLESS SPECIFIED) | | DIMENSION STYLE | SCALE | DESIGN UNITS | THIRD ANGLE PROJECTION CF CARD CONN. EJECT MECHANISM (TYPE I/II NORMAL) molex DOCUMENT NO. SD-55364-003 SHEET NO. 1 OF 3 |
| | | | MM ONLY | 2:1 | METRIC | |
| | 10 UNDER | ±0.2 | DRAWN BY | DATE | TITLE | |
| | 10 OVER 30 UNDER | ±0.25 | THIRATA | 1998/09/08 | | |
| | | 30 OVER | ±0.3 | CHECKED BY | DATE | |
| | | ANGULAR ±3 ° | | MSASAO | 1998/09/08 | |
| | | DRAFT WHERE APPLICABLE MUST REMAIN WITHIN DIMENSIONS | | APPROVED BY | DATE | |
| | | | | HIKESUGI | 1998/09/08 | |
| | | | | MATERIAL NO. | | |
| | | | | SEE TABLE | | |
| | | | | SIZE | THIS DRAWING CONTAINS INFORMATION THAT IS PROPRIETARY TO MOLEX INCORPORATED AND SHOULD NOT BE USED WITHOUT WRITTEN PERMISSION | |
| | | | | A3 | | |



基板推奨寸法
RECOMMENDED P.C.B. LAYOUT

| | | | | | | |
|--|---------------------------------------|--------------|---|------------------------------|---|------------------------|
| REVISED EC NO: J2014-0509 DRWN:YSENA 2013/09/19 CHKD:ASHIMOTSU 2013/09/19 APPR:NUKITA 2013/10/01 | GENERAL TOLERANCES (UNLESS SPECIFIED) | | DIMENSION STYLE MM ONLY | SCALE 2:1 | DESIGN UNITS METRIC | THIRD ANGLE PROJECTION |
| | 10 UNDER | ±0.2 | DRAWN BY THIRATA | DATE 1998/09/08 | TITLE CF CARD CONN. EJECT MECHANISM (TYPE I/II NORMAL) | |
| | 10 OVER 30 UNDER | ±0.25 | CHECKED BY MSASAO | DATE 1998/09/08 | | |
| | 30 OVER | ±3 | APPROVED BY HIKESUGI | DATE 1998/09/08 | | |
| ANGULAR | ±3 ° | MATERIAL NO. | SEE SHEET 1 | DOCUMENT NO. SD-55364-003 | SHEET NO. 2 OF 3 | |
| DRAFT WHERE APPLICABLE MUST REMAIN WITHIN DIMENSIONS | | SIZE A3 | THIS DRAWING CONTAINS INFORMATION THAT IS PROPRIETARY TO MOLEX INCORPORATED AND SHOULD NOT BE USED WITHOUT WRITTEN PERMISSION | | | |

MOUNTING METHOD



ボタン詳細寸法
DETAIL OF BUTTON

| | | | | | | |
|--|--|----------------------------|----------------------------|---|--|------------------------|
| REVISED EC NO: J2014-0509 DRWN:YSEDA 2013/09/19 CHKD:ASHIMOTSU 2013/09/19 APPR:NUKITA 2013/10/01 | GENERAL TOLERANCES (UNLESS SPECIFIED) | | DIMENSION STYLE MM ONLY | SCALE 10:1 | DESIGN UNITS METRIC | THIRD ANGLE PROJECTION |
| | 10 UNDER | ±0.2 | DRAWN BY THIRATA | DATE 1998/09/08 | TITLE CF CARD CONN. EJECT MECHANISM (TYPE I/II NORMAL) molex DOCUMENT NO. SD-55364-003 SHEET NO. 3 OF 3 | |
| | 10 OVER 30 UNDER | ±0.25 | CHECKED BY MSASAO | DATE 1998/09/08 | | |
| | 30 OVER | ±0.3 | APPROVED BY HIKESUGI | DATE 1998/09/08 | | |
| ANGULAR | ±3 ° | MATERIAL NO. SEE SHEET1 | | | | |
| | DRAFT WHERE APPLICABLE MUST REMAIN WITHIN DIMENSIONS | | SIZE A3 | THIS DRAWING CONTAINS INFORMATION THAT IS PROPRIETARY TO MOLEX INCORPORATED AND SHOULD NOT BE USED WITHOUT WRITTEN PERMISSION | | |