



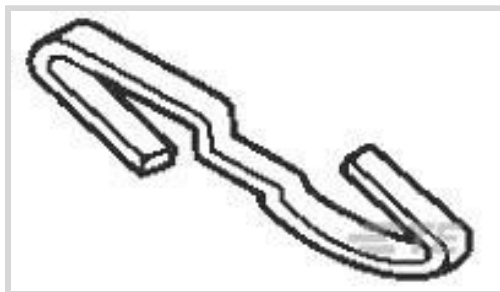
AMPMODU

TE Internal #: 583691-2

PCB Latches, Locks & Retainers, Retaining Spring, Printed Circuit Board, -40 – 105 °C [-40 – 221 °F]

[View on TE.com >](#)

Connectors > PCB Connectors > PCB Connector Accessories > PCB Connector Hardware > PCB Latches, Locks & Retainers



Connector & Contact Retention Accessory Type: **Retaining Spring**

Connector & Contact Terminates To: **Printed Circuit Board**

Contact Current Rating (Max): **5 A**

Operating Temperature Range: **-40 – 105 °C [-40 – 221 °F]**

**Features**

**Product Type Features**

Connector & Contact Retention Accessory Type	Retaining Spring
Connector & Contact Terminates To	Printed Circuit Board

**Body Features**

Primary Product Plating Material	Unplated
Primary Product Material	Stainless Steel

**Contact Features**

Contact Current Rating (Max)	5 A
------------------------------	-----

**Usage Conditions**

Operating Temperature Range	-40 – 105 °C[-40 – 221 °F]
-----------------------------	----------------------------

**Industry Standards**

Glow Wire Rating	Standard Part - Not Glow Wire
------------------	-------------------------------

**Packaging Features**

Packaging Quantity	10000
Packaging Method	Package

**Product Compliance**

[For compliance documentation, visit the product page on TE.com>](#)

EU RoHS Directive 2011/65/EU	Compliant
EU ELV Directive 2000/53/EC	Compliant

China RoHS 2 Directive MIIT Order No 32, 2016

No Restricted Materials Above Threshold

EU REACH Regulation (EC) No. 1907/2006

Current ECHA Candidate List: JUNE 2022  
(224)Candidate List Declared Against: JAN 2022  
(223)

SVHC &gt; Threshold:

Not Yet Reviewed

Halogen Content

Low Halogen - Br, Cl, F, I < 900 ppm per  
homogenous material. Also BFR/CFR/PVC  
Free

Solder Process Capability

Not applicable for solder process capability

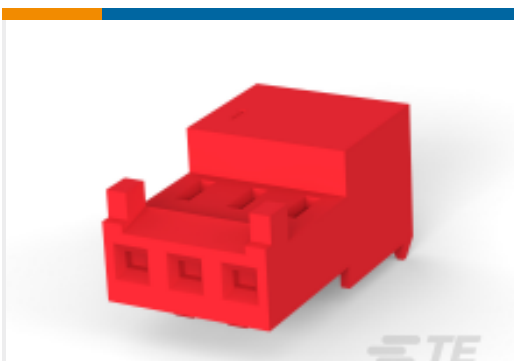
## Product Compliance Disclaimer

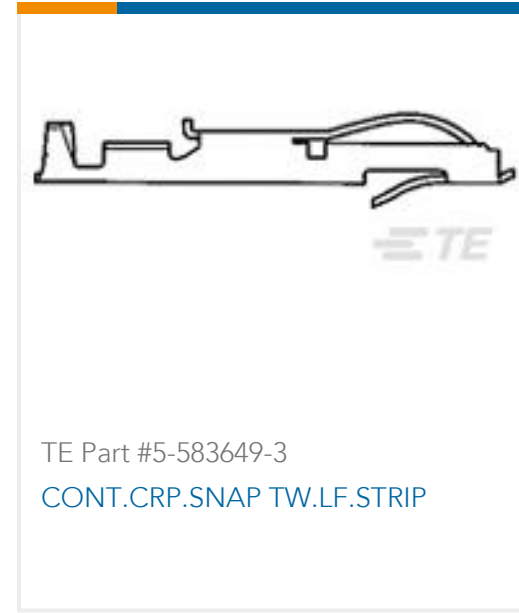
This information is provided based on reasonable inquiry of our suppliers and represents our current actual knowledge based on the information they provided. This information is subject to change. The part numbers that TE has identified as EU RoHS compliant have a maximum concentration of 0.1% by weight in homogenous materials for lead, hexavalent chromium, mercury, PBB, PBDE, DBP, BBP, DEHP, DIBP, and 0.01% for cadmium, or qualify for an exemption to these limits as defined in the Annexes of Directive 2011/65/EU (RoHS2). Finished electrical and electronic equipment products will be CE marked as required by Directive 2011/65/EU. Components may not be CE marked. Additionally, the part numbers that TE has identified as EU ELV compliant have a maximum concentration of 0.1% by weight in homogenous materials for lead, hexavalent chromium, and mercury, and 0.01% for cadmium, or qualify for an exemption to these limits as defined in the Annexes of Directive 2000/53/EC (ELV). Regarding the REACH Regulation, the information TE provides on SVHC in articles for this part number is based on the latest European Chemicals Agency (ECHA) 'Guidance on requirements for substances in articles' posted at this URL: <https://echa.europa.eu/guidance-documents/guidance-on-reach>

## Compatible Parts

TE Part # 583691-3  
RETAINING SPRING PLATED

## Customers Also Bought

TE Part #3-644563-7  
Nylon Tin Plated Receptacle: 2.54mm,  
With Mating Alignment, MTA 100TE Part #52263  
TERMINAL R PG 8 10TE Part #62553-1  
FF 250 TAB 22-18AWG BRTE Part #1-292227-5  
1.5 MINI CT SGL H SMT W BOSS 1



## Documents

### Product Drawings

[RET SPG](#)

English

### Instruction Sheets

[Instruction Sheet \(U.S.\)](#)

English