

63674-1 ✓ ACTIVE

FASTON | FASTON 250

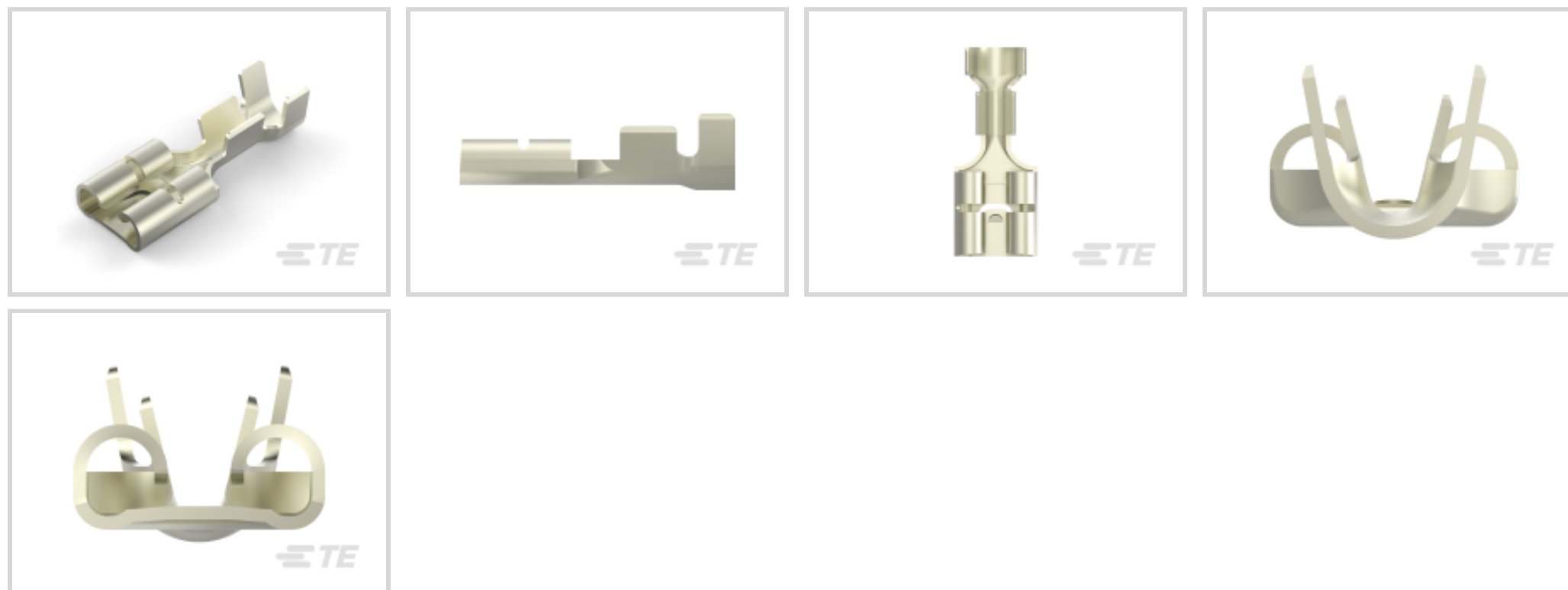
TE Internal #: 63674-1

Quick Disconnects, Receptacle, 18 – 14 AWG Wire Size, .82 – 2.08 mm<sup>2</sup> Wire Size, Mating Tab Width .25 in [6.35 mm], Straight, Steel, FASTON 250

[View on TE.com >](#)



Terminals & Splices > Quick Disconnects



Quick Disconnect Terminal Type: **Receptacle**

Wire Size: .82 – 2.08 mm<sup>2</sup>

Mating Tab Width: 6.35 mm [.25 in]

Mating Tab Thickness: .81 mm [.032 in]

## Features

### Product Type Features

Terminates To	Wire & Cable
Wire/Cable Type	Regular Wire
Wire Stop	No
Insertion Force	Low
Sealable	No

### Configuration Features

Connection Capacity	Single
---------------------	--------

### Contact Features

Quick Disconnect Terminal Type	Receptacle
Mating Tab Width	6.35 mm [.25 in]
Mating Tab Thickness	.81 mm [.032 in]
Terminal Orientation	Straight
Contact Base Material	Steel
Terminal Plating Material	Nickel
Crimp Type	F-Crimp



Barrel Type	Open
-------------	------

### Mechanical Attachment

Mating Retention Type	Dimple
Wire Insulation Support	With

### Dimensions

Accepts Wire Insulation Diameter Range	3.1 – 4.3 mm [.12 – .17 in]
Receptacle Terminal Stock Thickness	.41 mm [.016 in]
Overall Length	19.18 mm [.755 in]
Wire Size	.82 – 2.08 mm <sup>2</sup>

### Usage Conditions

Insulation Option	Uninsulated
Operating Temperature Range	-40 – 250 °C [-40 – 482 °F]

### Industry Standards

CSA Certified	Yes
UL Rating	Recognized

### Packaging Features

Packaging Quantity	10000
Packaging Method	Strip/Reel

### Other

Line	Premier
Comment	Stress Relieved.

### Product Compliance

[For compliance documentation, visit the product page on TE.com>](#)

EU RoHS Directive 2011/65/EU	Compliant
EU ELV Directive 2000/53/EC	Compliant
China RoHS 2 Directive MIIT Order No 32, 2016	No Restricted Materials Above Threshold
EU REACH Regulation (EC) No. 1907/2006	Current ECHA Candidate List: JUNE 2022 (224) Candidate List Declared Against: JAN 2022 (223) SVHC > Threshold: Not Yet Reviewed
Halogen Content	Low Halogen - Br, Cl, F, I < 900 ppm per

homogenous material. Also BFR/CFR/PVC Free

Solder Process Capability

Not applicable for solder process capability

Product Compliance Disclaimer

This information is provided based on reasonable inquiry of our suppliers and represents our current actual knowledge based on the information they provided. This information is subject to change. The part numbers that TE has identified as EU RoHS compliant have a maximum concentration of 0.1% by weight in homogenous materials for lead, hexavalent chromium, mercury, PBB, PBDE, DBP, BBP, DEHP, DIBP, and 0.01% for cadmium, or qualify for an exemption to these limits as defined in the Annexes of Directive 2011/65/EU (RoHS2). Finished electrical and electronic equipment products will be CE marked as required by Directive 2011/65/EU. Components may not be CE marked. Additionally, the part numbers that TE has identified as EU ELV compliant have a maximum concentration of 0.1% by weight in homogenous materials for lead, hexavalent chromium, and mercury, and 0.01% for cadmium, or qualify for an exemption to these limits as defined in the Annexes of Directive 2000/53/EC (ELV). Regarding the REACH Regulation, the information TE provides on SVHC in articles for this part number is based on the latest European Chemicals Agency (ECHA) 'Guidance on requirements for substances in articles' posted at this URL: <https://echa.europa.eu/guidance-documents/guidance-on-reach>

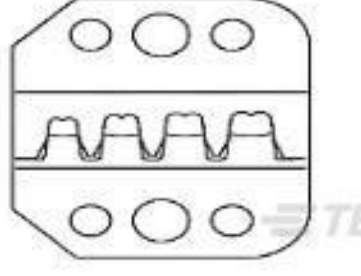
## Compatible Parts



TE Part # 58524-1  
PROCRIMPER TOOL & DIE



TE Part # 63892-1  
250 FASTON REC 16-12 AWG NPST



TE Part # 58524-2  
PROCRIMPER DIE



TE Part # 90165-1  
DAHT 250 FASTON REC 18-14 ASSY



TE Part # 2-2150016-1  
OCEAN\_2.0\_Applicator-E-100F180F



TE Part # 2-2150016-2  
OCEAN\_2.0\_Applicator-E-100F180F



TE Part # 2150016-1  
OCEAN\_2.0\_Applicator-E-100F180F



TE Part # 2150016-2  
OCEAN\_2.0\_Applicator-E-100F180F



TE Part # 7-2150016-1  
OCEAN\_2.0\_Applicator-E-100F180F



TE Part # 7-2150016-2  
OCEAN\_2.0\_Applicator-E-100F180F



TE Part # 7-2150016-7  
OCEAN\_2.0\_SPARE\_PART\_KIT-100F180F

Also in the Series | **FASTON 250**



Compression Connectors(4)



Crimp Terminal Housings(143)



Insertion & Extraction Tools(6)



Magnet Wire Terminals(1)



PCB Terminals(144)



Quick Disconnects(456)

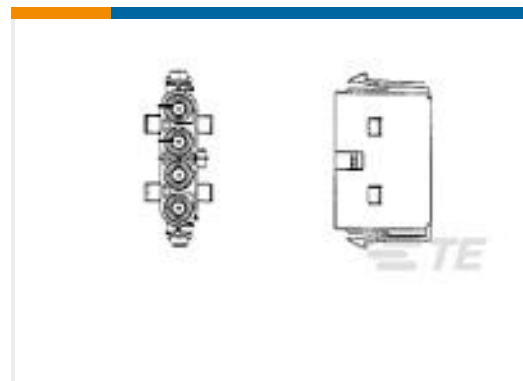


Splices(4)

## Customers Also Bought



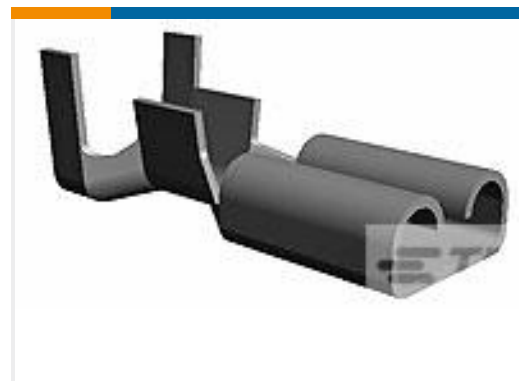
TE Part #1-1744074-1  
11P SL LID HSG W/O RAMP SPECIAL CL



TE Part #794118-1  
04P .156 MNL CAP PANEL MOUNT



TE Part #350199-1  
RING TONGUE TERMINAL 18-14 AWG NIPST



TE Part #63850-1  
187 FASTON REC 20-16 AWG NPST



TE Part #520973-1  
ULTRA-POD 187 ASSY REC 20-16 AWG BR



TE Part #42800-1  
187 FASTON REC 20-16 AWG BR



TE Part #1897058-1  
CONNECTOR .125/.250 SERIES



TE Part #1217039-1  
TIMER CONNECTOR GEN 3 18-14 POST-TPBR



TE Part #60487-1  
187 FASTON REC 18-16 AWG BR

## Documents





### Product Drawings

#### 250 FASTON REC 18-14 AWG NPST

English

---

### CAD Files

#### 3D PDF

3D

#### Customer View Model

[ENG\\_CVM\\_CVM\\_63674-1\\_H.2d\\_dxf.zip](#)

English

#### Customer View Model

[ENG\\_CVM\\_CVM\\_63674-1\\_H.3d\\_igs.zip](#)

English

#### Customer View Model

[ENG\\_CVM\\_CVM\\_63674-1\\_H.3d\\_stp.zip](#)

English

By downloading the CAD file I accept and agree to the [Terms and Conditions](#) of use.

---

### Datasheets & Catalog Pages

#### 82004 FASTON Terminals (Insulated and Uninsulated) Catalog - FASTON Receptacles Section

English

---

### Product Specifications

#### Application Specification

English

#### Application Specification

English

#### Wire Preparation And Crimp Inspection Guide

English

---

### Product Environmental Compliance

#### TE Material Declaration

English

---

### Agency Approvals

#### Agency Approval Document

English