



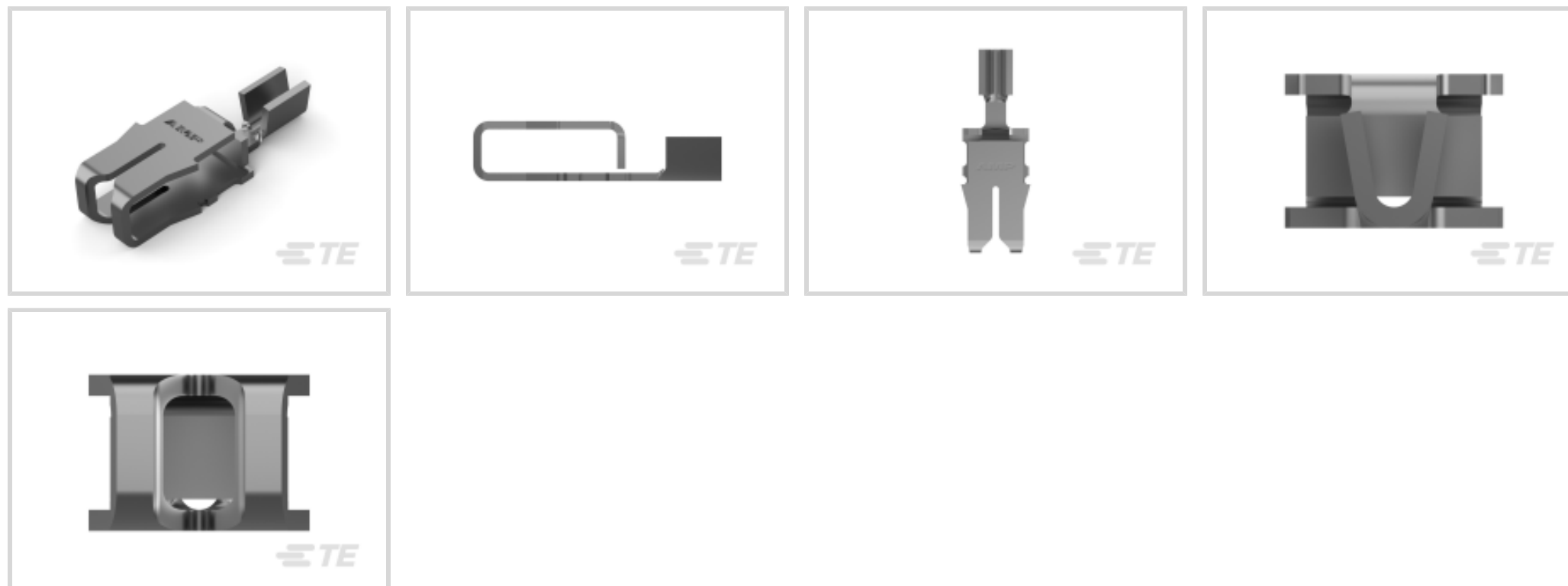
## MAG-MATE

TE Part # 62458-1

TE Internal #: 62458-1

[View on TE.com >](#)

Terminals & Splices > Magnet Wire Terminals



Terminal Type: **F-Crimp**

Terminal Height: **7.62 mm [ .3 in ]**

Cavity Size: **Size 2**

Aluminum Wire Size: **21 – 19 AWG**

## Features

### Product Type Features

Wire/Cable Type	Magnet Wire
Sealable	No

### Body Features

Cavity Size	Size 2
Plating Material	Tin

### Contact Features

Terminal Type	F-Crimp
Terminal Orientation	Straight

### Termination Features

Termination Method	Crimp, IDC Standard
Crimp Area Length	2.54 mm[.1 in]

### Mechanical Attachment

Wire Insulation Support	Without
-------------------------	---------

### Dimensions

Terminal Height	7.62 mm[.3 in]
-----------------	----------------

Aluminum Wire Size	21 – 19 AWG
Lead Wire Size	.2 – .6 mm <sup>2</sup>
Magnet Wire Size	22 – 20 AWG
Material Thickness	.4 mm[.016 in]
Stock Thickness (Magnet Wire Side)	.41 mm[.016 in]
Overall Length	3.43 mm[.135 in]

### Usage Conditions

Operating Temperature Range	-65 – 150 °C[-85 – 302 °F]
-----------------------------	----------------------------

### Packaging Features

Packaging Method	Reel, Reel/Carton
------------------	-------------------

### Other

Comment	Single magnet wire only., Stranded, fused stranded or solid lead wire
---------	---

## Product Compliance

[For compliance documentation, visit the product page on TE.com>](#)

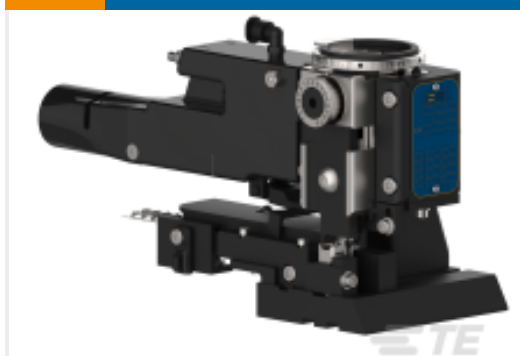
EU RoHS Directive 2011/65/EU	Compliant
EU ELV Directive 2000/53/EC	Compliant
China RoHS 2 Directive MIIT Order No 32, 2016	No Restricted Materials Above Threshold
EU REACH Regulation (EC) No. 1907/2006	ECHAによる現在の候補リスト: 2019年1月(197) 候補リストの表記: 2019年1月(197)
Halogen Content	Low Halogen - Br, Cl, F, I < 900 ppm per homogenous material. Also BFR/CFR/PVC Free
Solder Process Capability	Not applicable for solder process capability

#### Product Compliance Disclaimer

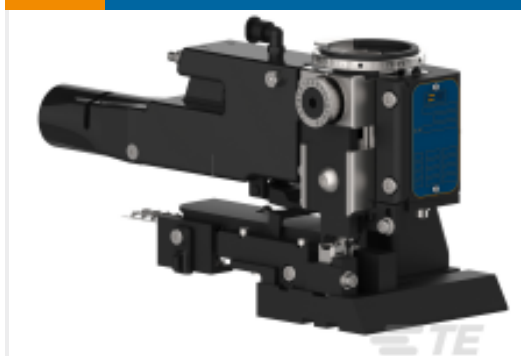
This information is provided based on reasonable inquiry of our suppliers and represents our current actual knowledge based on the information they provided. This information is subject to change. The part numbers that TE has identified as EU RoHS compliant have a maximum concentration of 0.1% by weight in homogenous materials for lead, hexavalent chromium, mercury, PBB, PBDE, DBP, BBP, DEHP, DIBP, and 0.01% for cadmium, or qualify for an exemption to these limits as defined in the Annexes of Directive 2011/65/EU (RoHS2). Finished electrical and electronic equipment products will be CE marked as required by Directive 2011/65/EU. Components may not be CE marked. Additionally, the part numbers that TE has identified as EU ELV compliant have a maximum concentration of 0.1% by weight in homogenous materials for lead, hexavalent chromium, and mercury, and 0.01% for cadmium, or qualify for an exemption to these limits as defined in the Annexes of Directive 2000/53/EC (ELV). Regarding the REACH Regulations, TE's information on SVHC in articles for this part number is still based on the European Chemical Agency (ECHA) 'Guidance on requirements for substances in articles' (Version: 2, April 2011), applying the 0.1% weight on weight concentration threshold at the finished product level. TE is aware of the European Court of Justice ruling of September 10th, 2015 also known as O5A (Once An Article Always An Article) stating that, in case of 'complex object', the threshold for a SVHC must be applied to both the product as a whole and simultaneously to each of the articles forming part of its composition. TE has evaluated this ruling

based on the new ECHA "Guidance on requirements for substances in articles" (June 2017, version 4.0) and will be updating its statements accordingly.

### Compatible Parts



TE Part # 2837273-2  
OC-AT-S-FA-070F-CC-001-0201



TE Part # 2-2837273-2  
OC-PA-S-FA-070F-CC-001-0201

### Also in the Series | MAG-MATE



Magnet Wire Terminals  
(478)

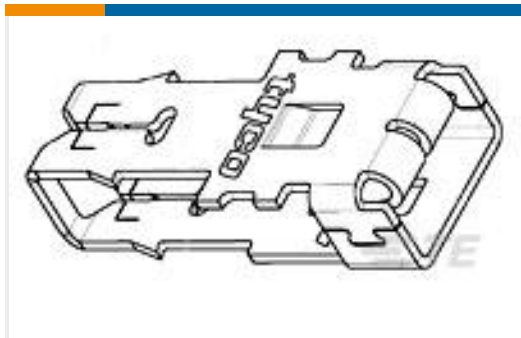


PCB Terminals(1)

### Customers Also Bought



TE Part #66505-8  
SOCKET CONTACT, 20 DF



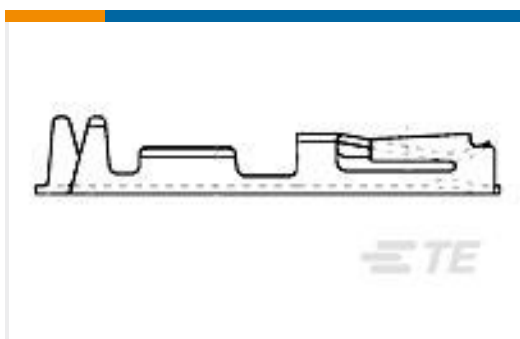
TE Part #1718707-1  
MAG-MATE TERMINAL



TE Part #1852663-1  
HDM EAPR140F G



TE Part #1852664-1  
HDM EAPR180F G



TE Part #531225-6  
T/SPRING STMPD



TE Part #63777-1  
MAG-MATE 187 F TAB 30-27 TPBR



TE Part #6648237-1  
CROWN,SKT,#8



TE Part #745215-7  
PLUG ASSY,37P,HDE,AP



## Documents

### Product Drawings

[MAG-MATE SLOT 20-22 016 TPBR](#)

English

---

### CAD Files

[3D PDF](#)

3D

Customer View Model

[ENG\\_CVM\\_CVM\\_62458-1\\_AJ.2d\\_dxf.zip](#)

English

Customer View Model

[ENG\\_CVM\\_CVM\\_62458-1\\_AJ.3d\\_igs.zip](#)

English

Customer View Model

[ENG\\_CVM\\_CVM\\_62458-1\\_AJ.3d\\_stp.zip](#)

English

---

### Datasheets & Catalog Pages

[Magnet Wire Terminals & Splices](#)

English

---

### Product Specifications

[Application Specification](#)

English

---

### Agency Approvals

[UL Report](#)

English