



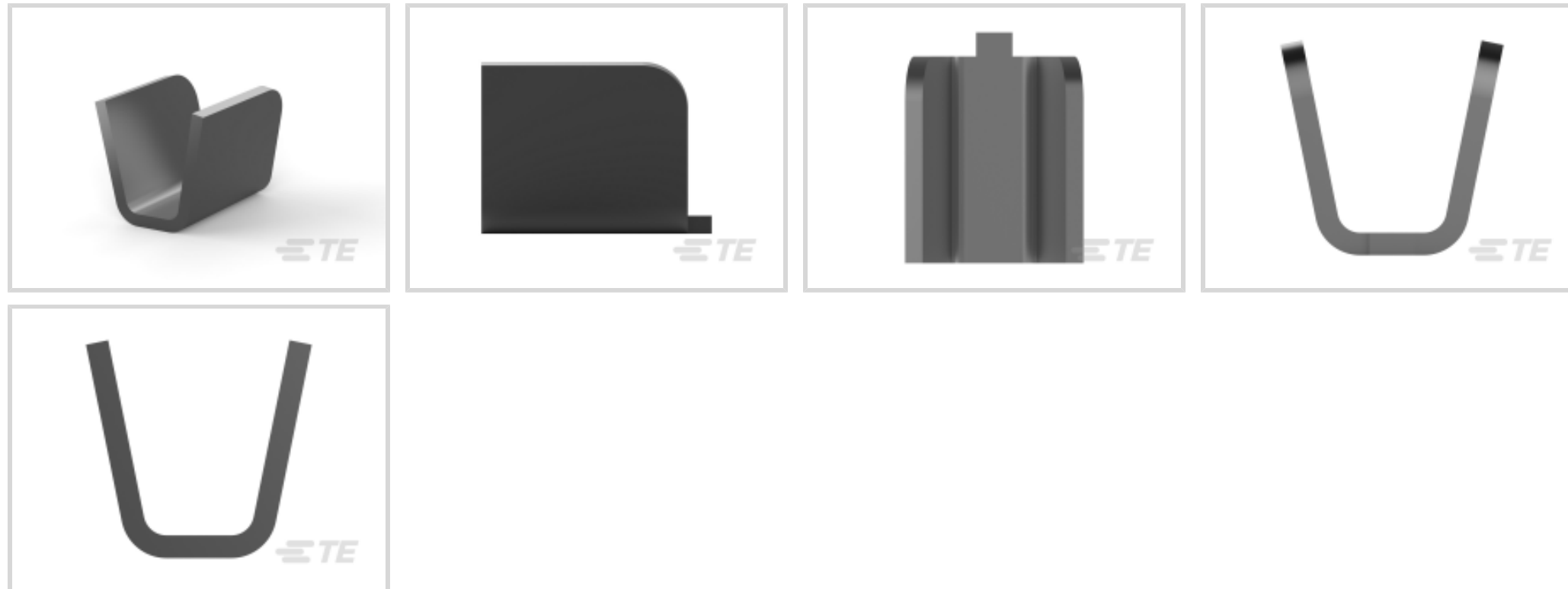
**AMPLIVAR**

TE Internal #: 62311-2

Splices, 10 – 8 AWG Wire Size, 5 – 8 mm<sup>2</sup> Wire Size, Splice Capacity 3, 10000 – 17000 CMA Wire Size, Brass, Pigtail Splice Splice, Serrated, AMPLIVAR

[View on TE.com >](#)

Terminals & Splices > Splices



Wire Size: 10000 – 17000 CMA

Sealable: No

Splice Capacity: 3

**Features**

**Product Type Features**

Sealable	No
Splice Type	Pigtail Splice
Serrated	Yes
Compatible With Discrete Wire Type	Magnet Wire, Solid

**Configuration Features**

Strip Orientation	End Feed
Splice Capacity	3
Number of Serrations	9

**Electrical Characteristics**

Operating Voltage	250 V
-------------------	-------

**Body Features**

Weight per Piece	.761 g
Plating Material	Tin
Primary Product Material	Brass

**Contact Features**



Contact Plating Material	Tin
--------------------------	-----

Barrel Type	Open
-------------	------

### Termination Features

Crimp Width	5.59 mm[.22 in]
-------------	-----------------

### Mechanical Attachment

Wire Insulation Support	Without
-------------------------	---------

### Dimensions

Wire Size	10000 – 17000 CMA
-----------	-------------------

Terminal Material Thickness	.76 mm[.03 in]
-----------------------------	----------------

Overall Product Length	8.64 mm[.34 in]
------------------------	-----------------

### Usage Conditions

Insulation Option	Uninsulated
-------------------	-------------

Operating Temperature Range	-65 – 150 °C[-85 – 302 °F]
-----------------------------	----------------------------

### Operation/Application

Heavy Duty	No
------------	----

Compatible With Wire Base Material	Aluminum, Copper
------------------------------------	------------------

### Industry Standards

Government Qualified Splice	No
-----------------------------	----

### Packaging Features

Packaging Quantity	12000
--------------------	-------

Packaging Method	Strip
------------------	-------

### Product Compliance

[For compliance documentation, visit the product page on TE.com>](#)

EU RoHS Directive 2011/65/EU	Compliant
------------------------------	-----------

EU ELV Directive 2000/53/EC	Compliant
-----------------------------	-----------

China RoHS 2 Directive MIIT Order No 32, 2016	No Restricted Materials Above Threshold
---	---

EU REACH Regulation (EC) No. 1907/2006	Current ECHA Candidate List: JUNE 2022 (224) Candidate List Declared Against: JAN 2022 (223) SVHC > Threshold: Not Yet Reviewed
--	--

Halogen Content	Low Halogen - Br, Cl, F, I < 900 ppm per
-----------------	--



homogenous material. Also BFR/CFR/PVC Free

Solder Process Capability

Not applicable for solder process capability

Product Compliance Disclaimer

This information is provided based on reasonable inquiry of our suppliers and represents our current actual knowledge based on the information they provided. This information is subject to change. The part numbers that TE has identified as EU RoHS compliant have a maximum concentration of 0.1% by weight in homogenous materials for lead, hexavalent chromium, mercury, PBB, PBDE, DBP, BBP, DEHP, DIBP, and 0.01% for cadmium, or qualify for an exemption to these limits as defined in the Annexes of Directive 2011/65/EU (RoHS2). Finished electrical and electronic equipment products will be CE marked as required by Directive 2011/65/EU. Components may not be CE marked. Additionally, the part numbers that TE has identified as EU ELV compliant have a maximum concentration of 0.1% by weight in homogenous materials for lead, hexavalent chromium, and mercury, and 0.01% for cadmium, or qualify for an exemption to these limits as defined in the Annexes of Directive 2000/53/EC (ELV). Regarding the REACH Regulation, the information TE provides on SVHC in articles for this part number is based on the latest European Chemicals Agency (ECHA) 'Guidance on requirements for substances in articles' posted at this URL: <https://echa.europa.eu/guidance-documents/guidance-on-reach>

### Compatible Parts



TE Part # 1-2217600-9  
APT-5A HF



TE Part # 1-2217700-9  
APT 5E HF



TE Part # 1742348-1  
9 Serr AMPLIVAR Spade



TE Part # 1852298-1  
HDM EAPR250F LM & G PIGTAIL



TE Part # 1852298-2  
HDM EAPR250F K PIGTAIL



TE Part # 2-2217600-0  
APT-5A HF



TE Part # 2-2217700-0  
APT 5E HF


### Also in the Series | AMPLIVAR



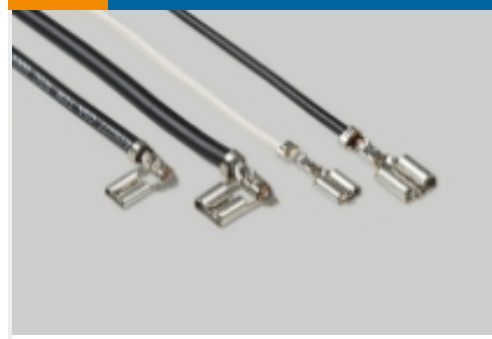
Crimp Wire Pins, Tabs & Ferrules(5)



Magnet Wire Terminals(5)



PCB Terminals(1)



Quick Disconnects(42)

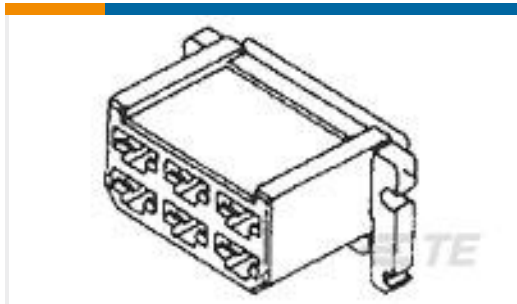
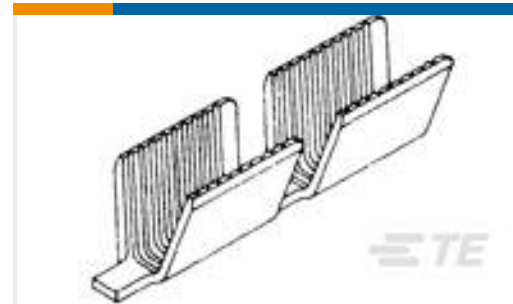


Ring Terminals &amp; Spade Terminals(28)



Splices(78)

## Customers Also Bought

TE Part #163006  
6 WAY FASTIN-ON HOUSING REC  
NATURALTE Part #141628-2  
110 FASTON HSG.,REC.,1 POS,  
NATURALTE Part #62309-2  
AMVAR SPLC 5000-10000 025TPBRTE Part #444335-3  
250 FASTON REC 16-14 AWG BRTE Part #1-455713-2  
CRIMPER BLUNTTE Part #690569-1  
FRONT SHEAR PLATETE Part #18023-4  
SCREW,CAP,SOCKET HEADTE Part #2-18024-7  
SCREW,CAP,BUTTON SOCK HEADTE Part #624534-1  
LEVER , DRAG RELEASEDTE Part #768690-2  
ANVIL, WIRE

## Documents

### Product Drawings

[AMVAR SPLC 10M-17M 0295 TPBR](#)

English

### CAD Files

[3D PDF](#)

3D

[Customer View Model](#)

[ENG\\_CVM\\_CVM\\_62311-2\\_L.2d\\_dxf.zip](#)



English

**Customer View Model**

[ENG\\_CVM\\_CVM\\_62311-2\\_L.3d\\_igs.zip](#)

English

**Customer View Model**

[ENG\\_CVM\\_CVM\\_62311-2\\_L.3d\\_stp.zip](#)

English

By downloading the CAD file I accept and agree to the [Terms and Conditions](#) of use.

---

**Datasheets & Catalog Pages**

[1654742\\_HOUSEHOLD\\_APPLIANCES\\_RAST5](#)

English

**Magnet Wire Terminals & Splices**

English

---

**Product Specifications**

[Application Specification](#)

English

---

**Product Environmental Compliance**

[MD\\_62311-2\\_05302017520\\_dmtec](#)

English

[MD\\_62311-2\\_05302017520\\_dmtec](#)

English