

6674720-1 ✓ ACTIVE

AMP | AMP TC-ZIF

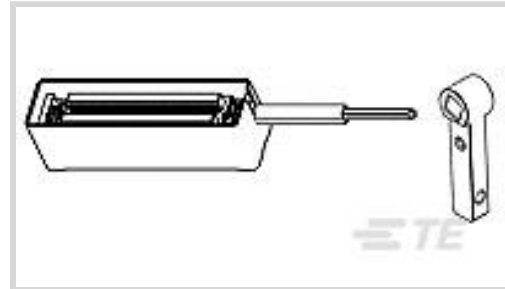
TE Internal #: 6674720-1

Standard Rectangular Connectors, Connector Assembly,
Receptacle, Mating Alignment, Keyed Mating Alignment Type,
Mating Retention, AMP TC-ZIF

[View on TE.com >](#)



Connectors > Rectangular Connectors > Standard Rectangular Connectors



Connector Product Type: **Connector Assembly**

Connector & Housing Type: **Receptacle**

Mating Alignment: **With**

Mating Alignment Type: **Keyed**

Mating Retention: **With**

Features

Product Type Features

Product Style	Kit
Strain Relief	Without
Connector Type	Connector Assembly
Shape	Rectangular
Glow Wire Rating	Standard Part - Not Glow Wire
Prewired	No
Grade	Commercial
Boxmount	No
Connector Product Type	Connector Assembly
Connector & Housing Type	Receptacle
Connector System	Wire-to-Board
Insertion Force Type	Zero Insertion Force (ZIF)
Connector & Contact Terminates To	Printed Circuit Board

Configuration Features

Number of Boardlocks	4
Preloaded	Yes
Number of Signal Positions	260
Keying	Y



Coaxial Socket	Without
Number of Power Positions	0
PCB Mount Orientation	Vertical
Number of Positions	260
Number of Rows	4
Panel Gasket	Without

Electrical Characteristics

Operating Voltage	100 VDC
-------------------	---------

Body Features

Shield Material	Steel
Rear Grommet	Without
Shell Material	Die Cast Zinc
Shield Plating Material	Nickel over Copper
Guide Pin	Without

Contact Features

Contact Transmits (Typical)	Signal
Contact Layout	Inline
Contact Type	Tab
Shunts/Shorting Bars	Without
Contact Style	Vertical
Multiple Contact Types	Without
Signal Contact Material	Copper Alloy
Contact Underplating Material	Nickel
PCB Contact Termination Area Plating Material	Gold
Contact Mating Area Plating Material	Gold
Contact Current Rating (Max)	.5 A

Termination Features

Termination Post Length	2.5 mm[.099 in]
Termination Method to Printed Circuit Board	Through Hole - Solder

Mechanical Attachment

Flange	Without
Mounting Angle	Vertical



Mounting Hole Diameter	.6 mm[.024 in]
Mating Hardware	Quick Disconnect
Lock Lever Material	Stainless Steel
Mounting Hole Thread Size	M3
PCB Mount Alignment Type	Standard Polarized Tail
Lock Type	Positive Lock
Mounting Holes	With
Mounting Hardware	Without
PCB Mount Alignment	Without
Mating Alignment	With
Mating Alignment Type	Keyed
Mating Retention	With
Mating Retention Type	Locking Latch
PCB Mount Retention	With
PCB Mount Retention Type	Mounting Hole

Housing Features

Housing Frame Plating Material	Nickel
Housing Color	Black, Natural
Housing Material	Die Cast Zinc
	.031 in

Dimensions

PCB Thickness (Recommended)	1.6 mm[.063 in]
-----------------------------	-----------------

Usage Conditions

High Temperature Header	No
Operating Temperature Range	-55 – 85 °C[-67 – 185 °F]

Operation/Application

Assembly Integration Feature	Without
For Use With	Standard Connectors
Halogen Free	Yes
Shielded	Yes

Identification Marking

Circuit Identification Feature	Without
--------------------------------	---------



Marked	No
--------	----

Industry Standards

VDE Tested	No
UL Flammability Rating	UL 94V-0

Packaging Features

Packaging Quantity	32
Packaging Method	Tray

Other

Comment	With bushing and lever.
---------	-------------------------

Product Compliance

[For compliance documentation, visit the product page on TE.com>](#)

EU RoHS Directive 2011/65/EU	Compliant
EU ELV Directive 2000/53/EC	Compliant
China RoHS 2 Directive MIIT Order No 32, 2016	No Restricted Materials Above Threshold
EU REACH Regulation (EC) No. 1907/2006	Current ECHA Candidate List: JUNE 2022 (224) Candidate List Declared Against: JUN 2020 (209) SVHC > Threshold: Not Yet Reviewed
Halogen Content	BFR/CFR/PVC Free, but Br/Cl >900 ppm in other sources.
Solder Process Capability	Wave solder capable to 260°C

Product Compliance Disclaimer

This information is provided based on reasonable inquiry of our suppliers and represents our current actual knowledge based on the information they provided. This information is subject to change. The part numbers that TE has identified as EU RoHS compliant have a maximum concentration of 0.1% by weight in homogenous materials for lead, hexavalent chromium, mercury, PBB, PBDE, DBP, BBP, DEHP, DIBP, and 0.01% for cadmium, or qualify for an exemption to these limits as defined in the Annexes of Directive 2011/65/EU (RoHS2). Finished electrical and electronic equipment products will be CE marked as required by Directive 2011/65/EU. Components may not be CE marked. Additionally, the part numbers that TE has identified as EU ELV compliant have a maximum concentration of 0.1% by weight in homogenous materials for lead, hexavalent chromium, and mercury, and 0.01% for cadmium, or qualify for an exemption to these limits as defined in the Annexes of Directive 2000/53/EC (ELV). Regarding the REACH Regulation, the information TE provides on SVHC in articles for this part number is based on the latest European Chemicals Agency (ECHA) 'Guidance on requirements for substances in articles' posted at this URL: <https://echa.europa.eu/guidance-documents/guidance-on-reach>

Also in the Series | [AMP TC-ZIF](#)

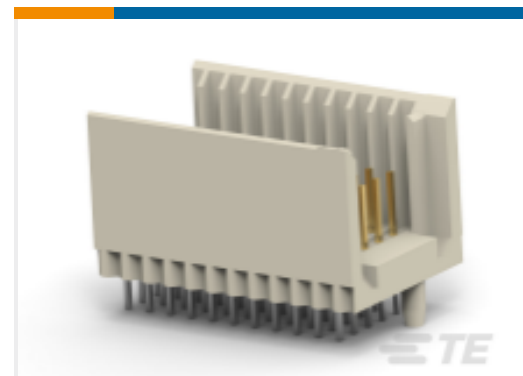


Standard Rectangular Connectors(4)

Customers Also Bought



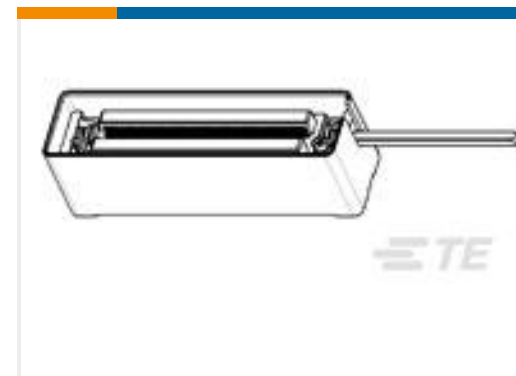
TE Part #5352069-1
HM Receptacle Connector: Traditional Backplane, Coplanar, 2mm



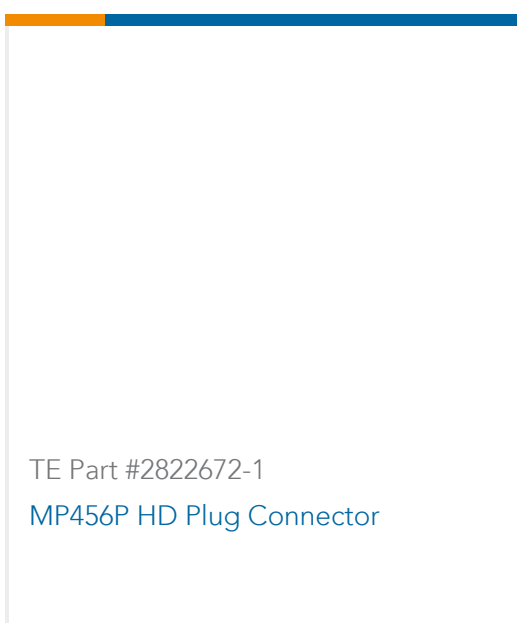
TE Part #5106081-1
Hard Metric Male Connector: Traditional Backplane, Mezzanine, 2mm



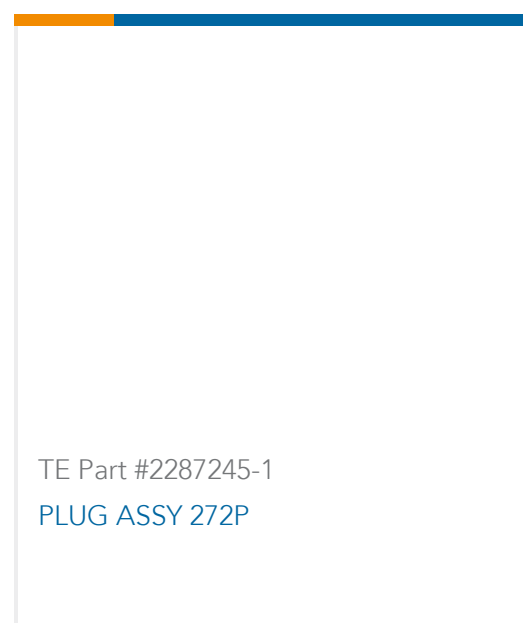
TE Part #5749181-1
Mini DIN, 4 pos, R/A, Shield



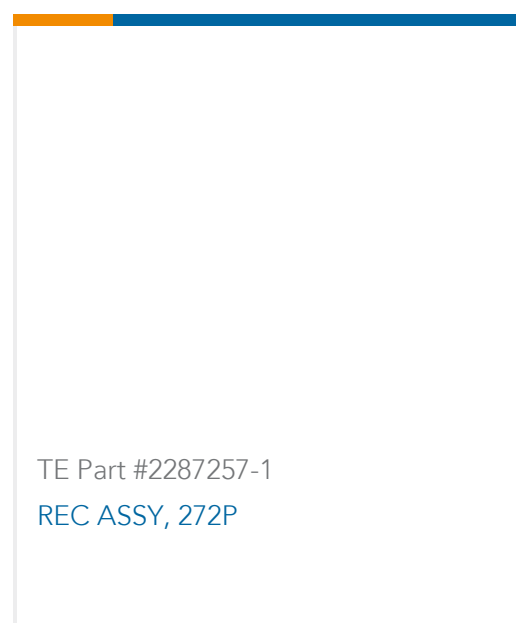
TE Part #6565204-1
TC-ZIF REC ASSY 260P



TE Part #2822672-1
MP456P HD Plug Connector



TE Part #2287245-1
PLUG ASSY 272P



TE Part #2287257-1
REC ASSY, 272P

Documents

Product Drawings

TC ZIF REC ASSEMBLY,KIT

Japanese

CAD Files

3D PDF

3D

Customer View Model

[ENG_CVM_CVM_6674720-1_E_c-6674720-1-e.2d_dxf.zip](#)

English

Customer View Model

[ENG_CVM_CVM_6674720-1_E_c-6674720-1-e.3d_igs.zip](#)

English

Customer View Model

[ENG_CVM_CVM_6674720-1_E_c-6674720-1-e.3d_stp.zip](#)

English

By downloading the CAD file I accept and agree to the [Terms and Conditions](#) of use.



Product Specifications

Application Specification

Japanese

Product Environmental Compliance

TE Material Declaration

English