



Connectors > D-Shaped Connectors > D-Sub Accessories > D-Sub Covers



Connector Cover Type: **Strain Relief**

Number of Positions: **50**

Operating Temperature Range: **-55 – 105 °C [-67 – 221 °F]**

## Features

### Product Type Features

Product Type	Accessory
Connector Cover Type	Strain Relief

### Configuration Features

Number of Positions	50
---------------------	----

### Usage Conditions

Operating Temperature Range	-55 – 105 °C[-67 – 221 °F]
-----------------------------	----------------------------

### Packaging Features

Packaging Method	Kit, Package
Packaging Quantity	100

## Product Compliance

[For compliance documentation, visit the product page on TE.com>](#)

EU RoHS Directive 2011/65/EU	Compliant
EU ELV Directive 2000/53/EC	Compliant
China RoHS 2 Directive MIIT Order No 32, 2016	No Restricted Materials Above Threshold
EU REACH Regulation (EC) No. 1907/2006	



Current ECHA Candidate List: JUNE 2022 (224)  
 Candidate List Declared Against: JUNE 2022 (224)  
 Does not contain REACH SVHC

Halogen Content	Low Bromine/Chlorine - Br and Cl < 900 ppm per homogenous material. Also BFR /CFR/PVC Free
-----------------	--

Solder Process Capability	Not applicable for solder process capability
---------------------------	--

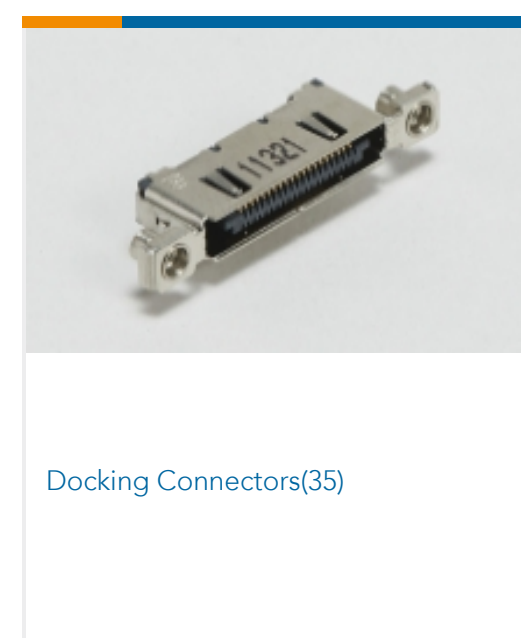
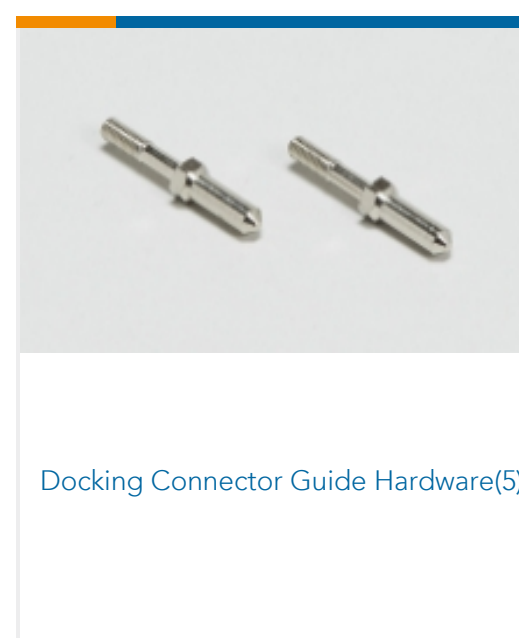
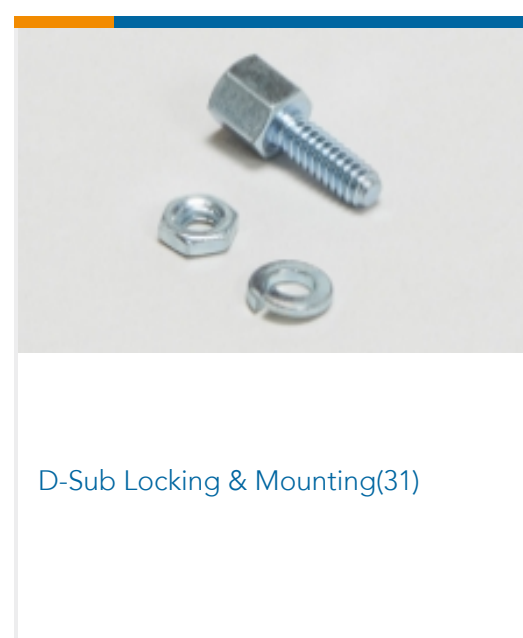
Product Compliance Disclaimer

This information is provided based on reasonable inquiry of our suppliers and represents our current actual knowledge based on the information they provided. This information is subject to change. The part numbers that TE has identified as EU RoHS compliant have a maximum concentration of 0.1% by weight in homogenous materials for lead, hexavalent chromium, mercury, PBB, PBDE, DBP, BBP, DEHP, DIBP, and 0.01% for cadmium, or qualify for an exemption to these limits as defined in the Annexes of Directive 2011/65/EU (RoHS2). Finished electrical and electronic equipment products will be CE marked as required by Directive 2011/65/EU. Components may not be CE marked. Additionally, the part numbers that TE has identified as EU ELV compliant have a maximum concentration of 0.1% by weight in homogenous materials for lead, hexavalent chromium, and mercury, and 0.01% for cadmium, or qualify for an exemption to these limits as defined in the Annexes of Directive 2000/53/EC (ELV). Regarding the REACH Regulation, the information TE provides on SVHC in articles for this part number is based on the latest European Chemicals Agency (ECHA) 'Guidance on requirements for substances in articles' posted at this URL: <https://echa.europa.eu/guidance-documents/guidance-on-reach>

## Compatible Parts



## Also in the Series | CHAMP Docking Connectors



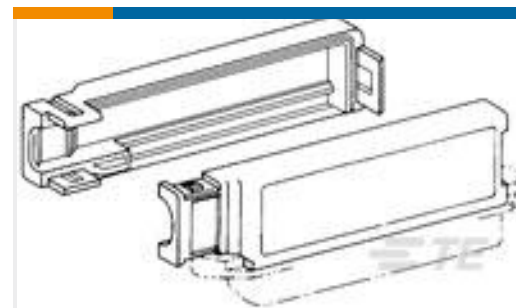
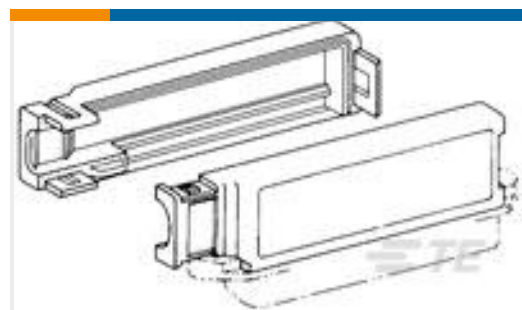
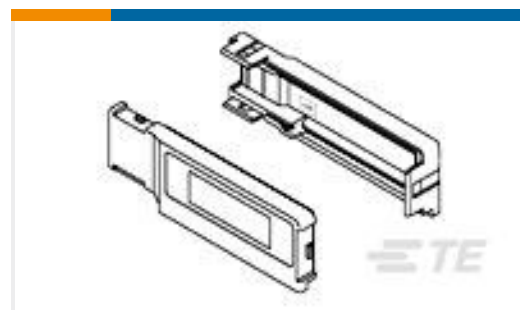


IDC D-Sub Connectors(81)



PCB D-Sub Connectors(1)

## Customers Also Bought

TE Part #552285-1  
ASSY, PLUG, 64 POS, B SLOTTE Part #6-5229913-1  
KIT, RCPT, 50 POS, B SLOTTE Part #1-552496-1  
90 DEG COVER KIT-64 POS BLKTE Part #2-552008-1  
KIT, COVER, 180, 50 POSTE Part #552011-1  
90 DEG COVER KIT 50 POS BLACKTE Part #552731-1  
KIT, 90 COVER, 50 POSTE Part #5229912-1  
IDC D-Sub: Connector Kit, Plug,  
Signal, 2.16 mmTE Part #769192-000  
CM-SCE-1/4-4H-2L

## Documents

### Product Drawings

[KIT, COVER, 180, 50 POS](#)

English

### CAD Files

Customer View Model

[ENG\\_CVM\\_CVM\\_552008-1\\_P.2d\\_dxf.zip](#)

English

[3D PDF](#)

3D

Customer View Model

[ENG\\_CVM\\_CVM\\_552008-1\\_P.3d\\_igs.zip](#)

English

Customer View Model

[ENG\\_CVM\\_CVM\\_552008-1\\_P.3d\\_stp.zip](#)

English

By downloading the CAD file I accept and agree to the [Terms and Conditions](#) of use.



---

**Product Environmental Compliance**

[MD\\_552008-1\\_0416201129](#)

English

[MD\\_552008-1\\_0416201129](#)

English

---

**Instruction Sheets**

[Instruction Sheet \(U.S.\)](#)

English