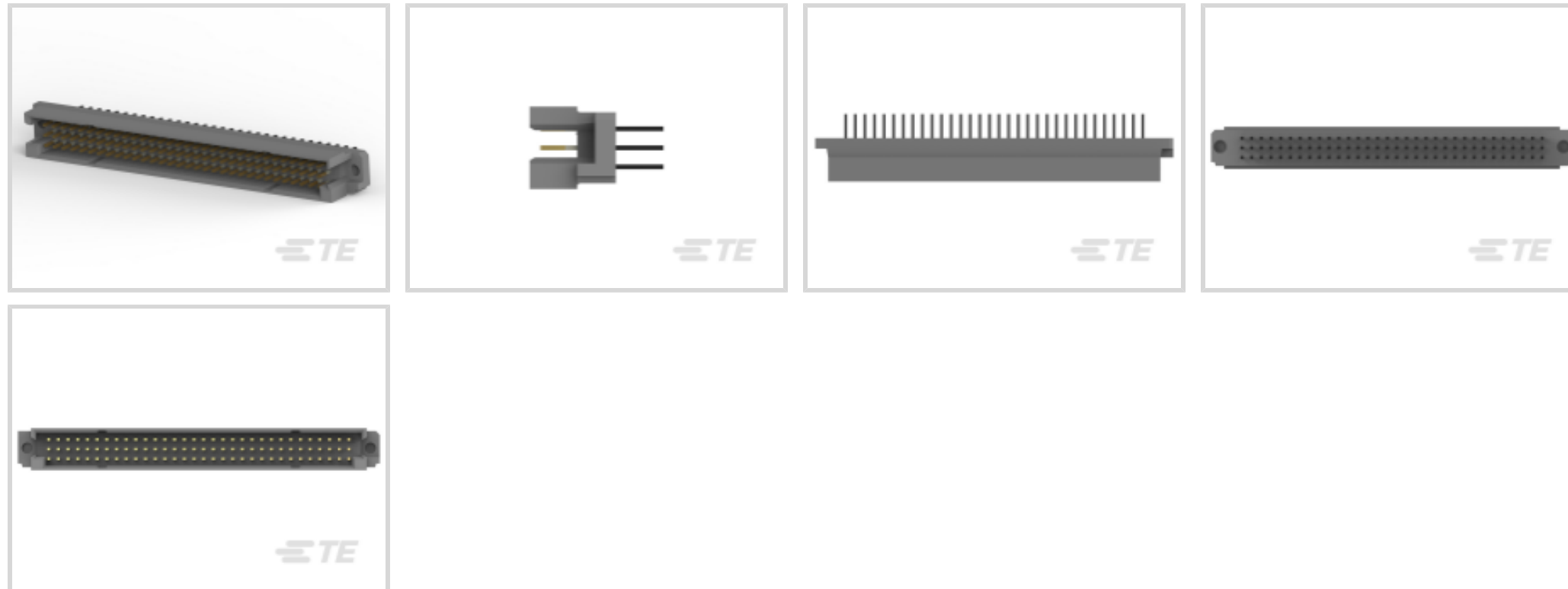




Connectors > PCB Connectors > Backplane Connectors > Eurocard Connectors



Connector & Housing Type: **Plug**

Connector System: **Board-to-Board**

Termination Post & Tail Length: **6.35 mm [.25 in]**

Number of Positions: **96**

Centerline (Pitch): **2.54 mm [.1 in]**

Features

Product Type Features

Connector & Housing Type	Plug
Connector System	Board-to-Board
Sealable	No
Connector & Contact Terminates To	Printed Circuit Board
DIN Size	Standard
DIN Level	II

Configuration Features

Number of Positions	96
Number of Rows	3
PCB Mount Orientation	Vertical
Number of Columns	32
Number of Power or Coaxial Positions	96
Number of Signal Positions	96
Rows Loaded	A, B, C



Electrical Characteristics

Operating Voltage	250 VAC
-------------------	---------

Contact Features

Contact Cross Section	.64 x .64 mm [.025 x .025 in]
PCB Contact Termination Area Plating Material Thickness	2.54 – 5.08 μ m [100 – 200 μ in]
Contact Type	Pin
Contact Mating Area Plating Material Thickness	.76 μ m [30 μ in]
Contact Mating Area Plating Material	Gold
PCB Contact Termination Area Plating Material	Tin-Lead
Contact Base Material	Phosphor Bronze
Contact Current Rating (Max)	1.5 A

Termination Features

Termination Method to Printed Circuit Board	Through Hole - Press-Fit
Termination Post & Tail Length	6.35 mm [.25 in]

Mechanical Attachment

Mating Alignment Type	Polarization
Mating Alignment	With
PCB Mount Alignment	Without
PCB Mount Retention	With
PCB Mount Retention Type	Action/Compliant Tail
Connector Mounting Type	Board Mount

Housing Features

Housing Material	Polyester - GF
Housing Color	Gray
Centerline (Pitch)	2.54 mm [.1 in]

Dimensions

Connector Height	11.51 mm [.453 in]
PCB Thickness (Recommended)	2.36 mm [.093 in]
Row-to-Row Spacing	2.54 mm [.1 in]

Usage Conditions

Operating Temperature Range	-55 – 105 °C [-67 – 221 °F]
-----------------------------	-----------------------------

Operation/Application



Shielded	No
----------	----

Circuit Application	Power & Signal
---------------------	----------------

Industry Standards

UL Flammability Rating	UL 94V-0
------------------------	----------

Packaging Features

Packaging Method	Package
------------------	---------

Product Compliance

[For compliance documentation, visit the product page on TE.com>](#)

EU RoHS Directive 2011/65/EU	Not Compliant
------------------------------	---------------

EU ELV Directive 2000/53/EC	Not Compliant
-----------------------------	---------------

China RoHS 2 Directive MIIT Order No 32, 2016	Restricted Materials Above Threshold
---	--------------------------------------

EU REACH Regulation (EC) No. 1907/2006	<p>Current ECHA Candidate List: JUNE 2022 (224) Candidate List Declared Against: JAN 2022 (223) SVHC > Threshold: Pb (13% in Component Part)</p> <p>Article Safe Usage Statements: Do not eat, drink or smoke when using this product. Wash thoroughly after handling. Recycle if possible and dispose of the article by following all applicable governmental regulations relevant to your geographic location.</p>
--	--

Halogen Content	Not Low Halogen - contains Br or Cl > 900 ppm.
-----------------	--

Solder Process Capability	Not applicable for solder process capability
---------------------------	--

Product Compliance Disclaimer

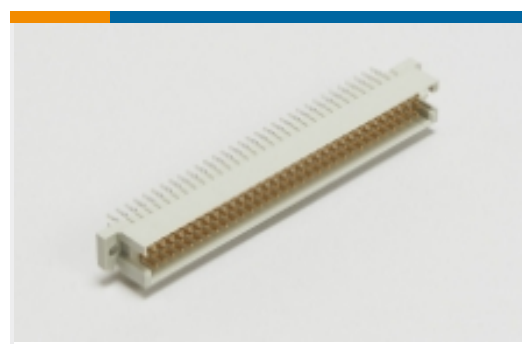
This information is provided based on reasonable inquiry of our suppliers and represents our current actual knowledge based on the information they provided. This information is subject to change. The part numbers that TE has identified as EU RoHS compliant have a maximum concentration of 0.1% by weight in homogenous materials for lead, hexavalent chromium, mercury, PBB, PBDE, DBP, BBP, DEHP, DIBP, and 0.01% for cadmium, or qualify for an exemption to these limits as defined in the Annexes of Directive 2011/65/EU (RoHS2). Finished electrical and electronic equipment products will be CE marked as required by Directive 2011/65/EU. Components may not be CE marked. Additionally, the part numbers that TE has identified as EU ELV compliant have a maximum concentration of 0.1% by weight in homogenous materials for lead, hexavalent chromium, and mercury, and 0.01% for cadmium, or qualify for an exemption to these limits as defined in the Annexes of Directive 2000/53/EC (ELV). Regarding the REACH Regulation, the information TE provides on SVHC in articles for this part number is based on the latest European Chemicals Agency (ECHA) 'Guidance on requirements for substances in articles' posted at this URL: <https://echa.europa.eu/guidance-documents/guidance-on-reach>

Compatible Parts

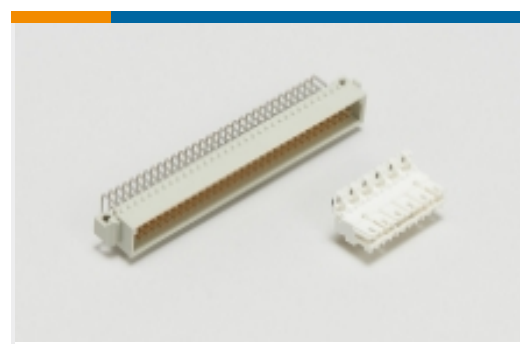


 <p>TE Part # 650470-5 096 EURO TYPE R PIN ST ASSY</p>	 <p>TE Part # 535089-5 096 EURO TYPE C RECEPT ST ASSY</p>	 <p>TE Part # 536019-5 096 EURO TYP R PIN AP MFBL ASY</p>	 <p>TE Part # 5650462-4 ASSY,RECEPTACLE,EUROCARD,TYPE</p>
 <p>TE Part # 5650461-5 ASSY,RECEPTACLE,EUROCARD,TYPE</p>	 <p>TE Part # 5535043-5 ASSY,RECEPTACLE,EUROCARD,TYPE</p>	 <p>TE Part # 5650908-5 ASSY,PIN,EUROCARD,TYPE R,LEAD-</p>	 <p>TE Part # 5536412-4 ASSY,RECEPT,EURO,TYPE C,LEAD-FREE,96,.18</p>
 <p>TE Part # 5650473-5 ASSY,PIN,EUROCARD,TYPE C,LEAD-</p>	 <p>TE Part # 5536418-5 ASSY,RECEPT,EURO,TYPE C,LEAD-F</p>	 <p>TE Part # 5535090-4 ASSEMBLY,RECEPTACLE,EUROCARD, T</p>	 <p>TE Part # 650461-4 096 EURO TYPE R RECPT ASSY</p>
 <p>TE Part # 215605-4 96P.IEC-C MALE CONN</p>	 <p>TE Part # 535043-4 096 EURO TYPE C RECEPT ST ASSY</p>	 <p>TE Part # 5650963-4 ASSY,RECEPTACLE,EUROCARD,TYPE</p>	 <p>TE Part # 5536405-5 ASSY,PIN,EUROCARD,TYPE C,LEAD-</p>
 <p>TE Part # 5650461-4 ASSY,RECEPTACLE,EUROCARD,TYPE</p>	 <p>TE Part # 5650895-4 ASSY,RECEPT,EUROCARD,TYPE R,LE</p>	 <p>TE Part # 5650947-5 ASSY,PIN,EUROCARD,TYPE C,LEAD-</p>	 <p>TE Part # 5535032-5 ASSY,RECEPTACLE,EUROCARD,TYPE C,LEAD-FRE</p>

Also in the Series | Eurocard Type R

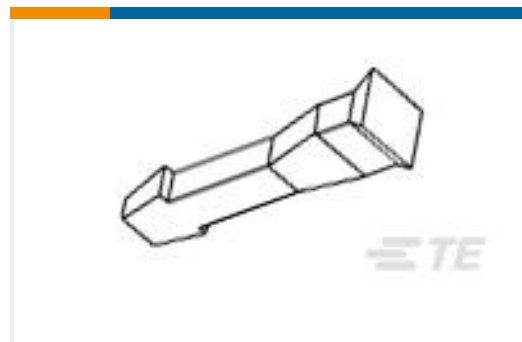
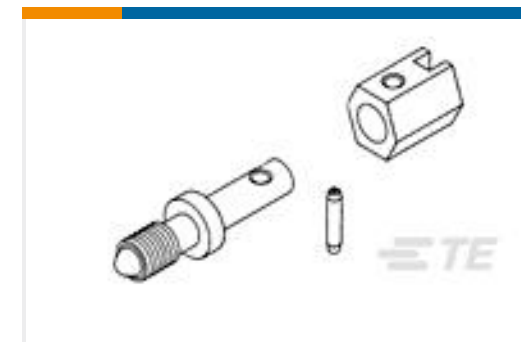
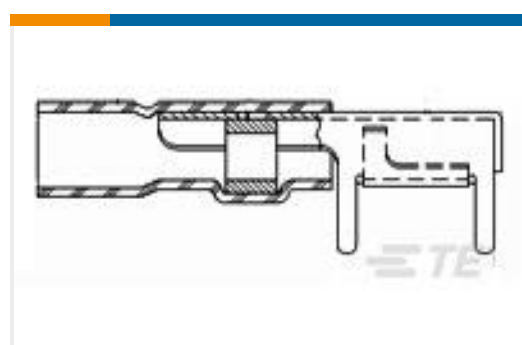
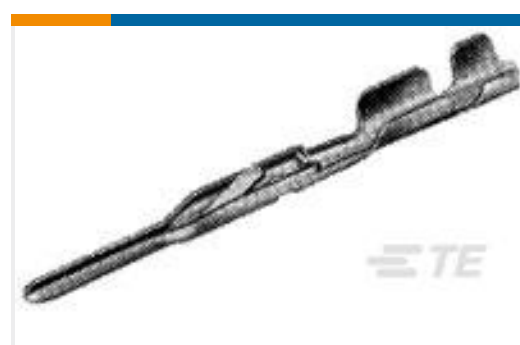
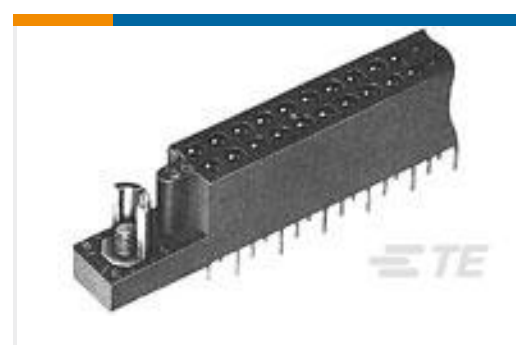


Eurocard Connectors(92)



Standard Edge Connectors(1)

Customers Also Bought

TE Part #102188-1
MOD II KEYING PLUGTE Part #1757826-6
AMPLIMITE,ASY,RCPT,FB,90,ZN,6TE Part #530347-3
KEY RIVET, BOX CONNTE Part #532021-1
BOX JACKSCREW KITTE Part #601072-000
D-607-10TE Part #530750-5
BX CONT CRIMP SNAP PIN L.P.TE Part #530340-2
2 ROW BOX RECP 40 POS STAG

Documents

Product Drawings

[096 EURO TYPE R PIN AP ASSY](#)

English

CAD Files

[3D PDF](#)

3D

Customer View Model

[ENG_CVM_CVM_650889-5_L.2d_dxf.zip](#)

English

Customer View Model

[ENG_CVM_CVM_650889-5_L.3d_igs.zip](#)

English

Customer View Model

[ENG_CVM_CVM_650889-5_L.3d_stp.zip](#)

English

By downloading the CAD file I accept and agree to the [Terms and Conditions](#) of use.



Product Specifications

Application Specification

English

Application Specification

English

Product Environmental Compliance

TE Material Declaration

English