

# Component-to-wire connectors **FCI**

HPCS

## 4 way sealed female housings for 2.8 mm terminals

### Features

- 4 position housing
- Waterproof application with single wire seal
- Circumferential interface seal
- Lateral secondary lock for terminal position assurance (T.P.A.)
- Mechanical polarization

### Performance characteristics

- Temperature range:  
from -40°C to +120°C
- Contact retention force: > 80 N
- Contact insertion force: < 20 N
- Connector mating force: < 150 N

### Construction

- Housing material: PBT
- Circumferential interface seal: Silicone

### Tooling

- Terminal removal tool: Consult us
- Mini-applicator: Consult us

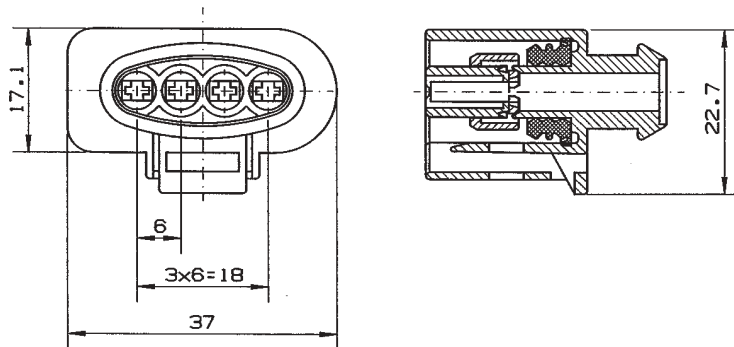
### Connector compatibility

- Usable terminals:  
HPCS 2.8 mm female terminals



### Dimensional characteristics

#### 4 way female housing



Part Numbers	No. of position	Terminal size	Colour
6 040 35 01	4	2.8 mm	Black

**Direct Links** ...

- Cross Reference
- RoHS/LF P/N search
- Document & Drawing search
- Application tooling

**Services** ...

- Contact us
- Distributor list
- Pricing request
- Order samples

**Literature** ...

- Brochures & catalogs
- Product documentation
- Technical library

Start > Search=60403501\* > **60403501**

**60403501**



**60403501**

**4 way component-to-wire Female housing**

ACTIVE

[Customer Drawing](#)

Automotive division

[Assistant](#) [Add to Favorites](#)

[Email Datasheet](#) [Print Datasheet](#)

**FCI Brings You More**

- [Contact our sales/technical support](#)
- [Sample request](#)
- [Price request](#)

**Specifications**

General Mechanical Physical Terminal 1 Type Environmental Other Features

General

Application	Component to Wire
Ways	4
Product Type	Housing
Coding	No
Family	Engine Compartment Connectors
Features	Mechanical Polarization Circumferential Interface Seal Waterproof Application with Single Wire Seal (S.W.S.) Lateral Secondary Lock for Terminal Position Assurance

	(T.P.A.)
Hybrid	No
Main Terminal family	HPCS
Main Terminal size	2.8 mm
Sealed	Yes
Terminal Size	2.8
<b>Mechanical</b>	
Connector mating force	< 150N
<b>Physical</b>	
Color	Black
Material	PBT
Temperature (Range)	-40°C to+120°C
<b>Terminal 1 Type</b>	
Terminal type 1	HPCS Female 2.8 mm Terminal
Ways for Terminal Type 1	4
Contact insertion force for Terminal Type 1	< 20N
Retention force (Contact) for Terminal Type 1	> 80N
<b>Environmental</b>	
IMDS	Yes
<b>Other Features</b>	
Type	Female
Disclaimer	<p>Displayed data is for information purposes only.  For more information, please contact your local sales office.  The supply of some products might be limited to some customers.</p>