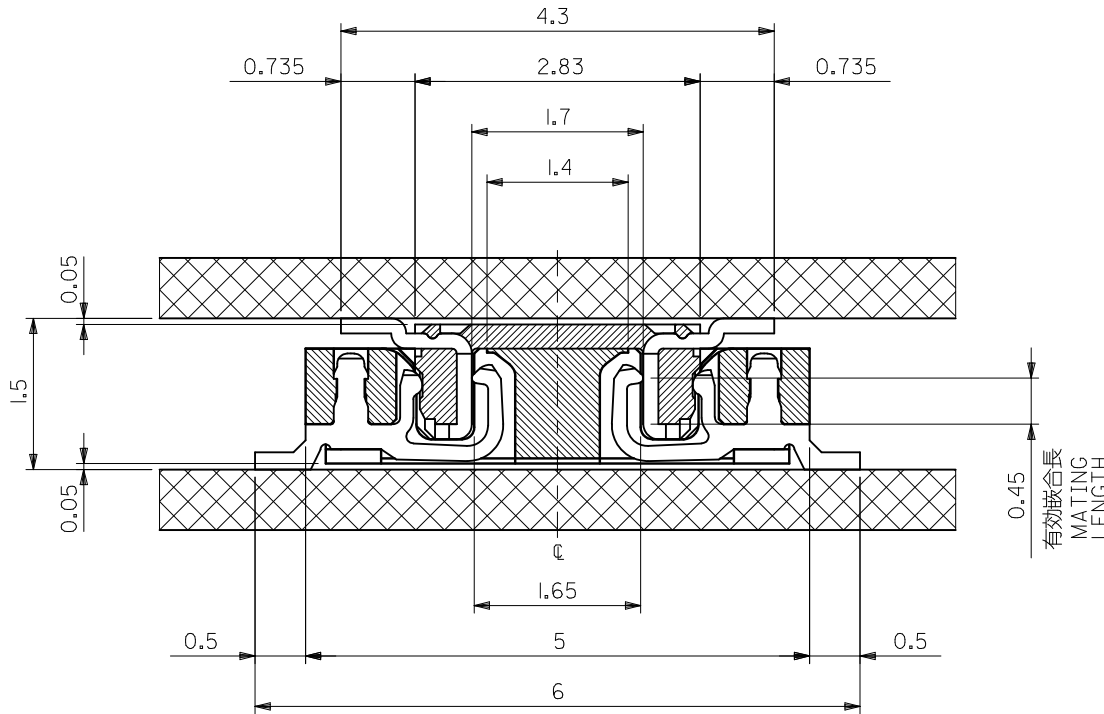


NON	20.55	19.5	21.45	55560-0801	80
10,21	15.55	14.5	16.45	-0601	60
2,4,8,10,16,18,22,24	13.05	12.0	13.95	-0501	50
2,3,5,6,8,9,12,13,15,16,18,19	10.55	9.5	11.45	-0401	40
2,3,4,5,7,8,9,10,11,13,14,15,16	9.05	8.0	9.95	-0341	34
ALL	8.05	7.0	8.95	-0301	30
	6.55	5.5	7.45	-0241	24
	6.05	5.0	6.95	-0221	22
	5.55	4.5	6.45	-0201	20
4.55	3.5	5.45	55560-0161	16	
LOCK POSITION	C	B	A	MATERIAL NO.	極数 CIRCUIT

REVISED EC NO: J2012-0135 DRWN: YON002 CHKD: TASAKAWA APPR: MSASAO	DESCRIPTION 2011/07/01 2011/07/01 2011/07/29	GENERAL TOLERANCES (UNLESS SPECIFIED)		DIMENSION STYLE MM ONLY		SCALE ---	DESIGN UNITS METRIC	THIRD ANGLE PROJECTION	
		10 UNDER	±0.20	DRAWN BY SAIHARA	DATE 2003/03/31	TITLE 0.5 B-TO-B CONN PLUG ASSY (HGT=1.5)			
		10 OVER 30 UNDER	±0.25	CHECKED BY MSASAO	DATE 2003/03/31	MOLEX INCORPORATED			
		30 OVER	±0.30	APPROVED BY MSASAO	DATE 2003/03/31	MATERIAL NO. SEE CHART DOCUMENT NO. SD-55560-006 SHEET NO. 1 OF 2			
K	REV	ANGULAR ±3 ° DRAFT WHERE APPLICABLE MUST REMAIN WITHIN DIMENSIONS		THIS DRAWING CONTAINS INFORMATION THAT IS PROPRIETARY TO MOLEX INCORPORATED AND SHOULD NOT BE USED WITHOUT WRITTEN PERMISSION					



注記 NOTES:

1. 使用材料 MATERIAL
 ウェハー: 液晶ポリマー ガラス充填 ,UL94V-0(黒)
 WAFER : LIQUID CRYSTAL POLYMER
 (GLASS FILLED), UL94V-0 (COLOR: BLACK)
 ピン : 黄銅 (t=0.15)
 PIN : BRASS (t=0.15)
2. メッキ仕様 PLATING
 金メッキ 0.25 MICROMETER MINIMUM (コンタクト部)
 GOLD 0.25 MICROMETER MINIMUM (CONTACT AREA).
 金メッキ 0.4 MICROMETER MAXIMUM (テール部)
 GOLD 0.4 MICROMETER MAXIMUM (TAIL AREA).
 下地メッキ: ニッケルメッキ 1.5 MICROMETER MINIMUM
 UNDER PLATING : NICKEL 1.5 MICROMETER MINIMUM.
3. (全極数/2) = 偶数の場合に適用。
 APPLY FOR (CIRCUIT/2)=EVEN.
4. 嵌合相手: 54722 シリーズ, 54037 シリーズ
 MATE WITH : 54722 SERIES, 54037 SERIES.
5. テール平坦度は、0.1 MAXIMUM
 TAIL COPLANARITY TO BE 0.1 MAXIMUM.

嵌合断面図 (参考)
 MATED DRAWING (REF.)

REVISED EC NO: J2012-0135 DRWN: YON002 CHKD: TASAKAWA APPR: MSASAO 2011/07/01 2011/07/01 2011/07/29	GENERAL TOLERANCES (UNLESS SPECIFIED)		DIMENSION STYLE MM ONLY	SCALE ---	DESIGN UNITS METRIC	THIRD ANGLE PROJECTION
	10 UNDER	± 0.20	DRAWN BY SAIHARA	DATE 2000/10/05	TITLE 0.5 B-T-O-B CONN PLUG ASSY (HGT=1.5)	
	10 OVER 30 UNDER	± 0.25	CHECKED BY MSASAO	DATE 2003/03/31	MOLEX INCORPORATED	
	30 OVER	± 0.30	APPROVED BY MSASAO	DATE 2003/03/31	MATERIAL NO. SEE SHEET 1	DOCUMENT NO. SD-55560-006
	ANGULAR ±3 °	THIS DRAWING CONTAINS INFORMATION THAT IS PROPRIETARY TO MOLEX INCORPORATED AND SHOULD NOT BE USED WITHOUT WRITTEN PERMISSION				
	DRAFT WHERE APPLICABLE MUST REMAIN WITHIN DIMENSIONS					

DWG. NO.
SD-55560-008

8 7 6 5 4 3 2 1

F

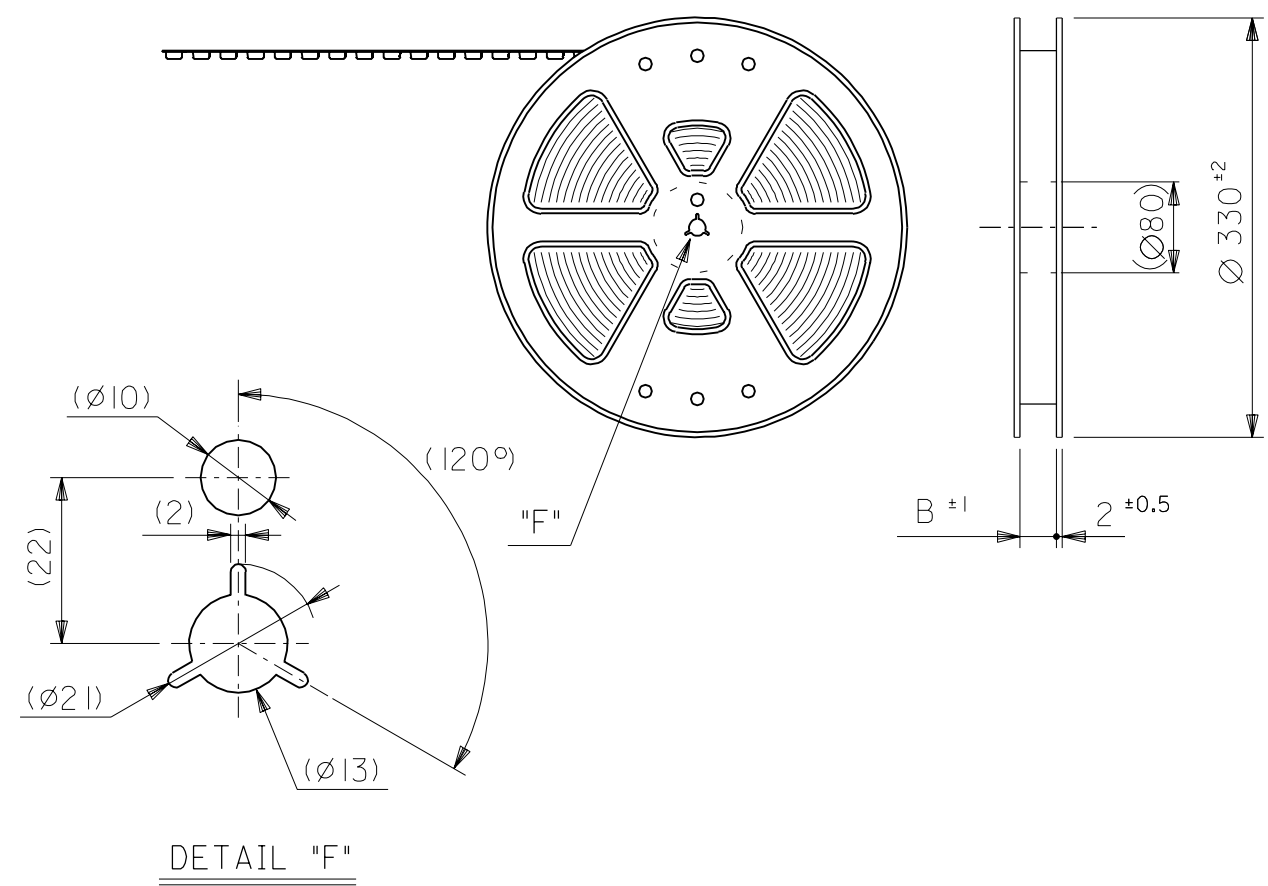
D

C

B

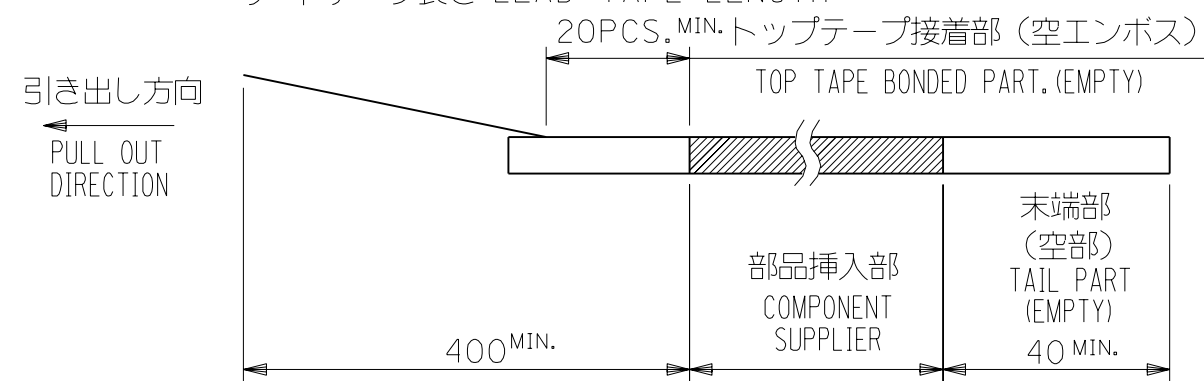
DO NOT SCALE DRAWING

引き出し方向
PULL OUT
DIRECTION

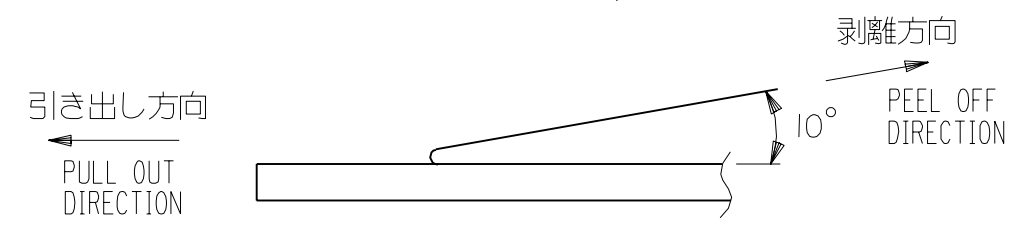


NOTES

- 製品詳細寸法については図面 SD-55560-006 を参照下さい。
RE DETAILED DIMENSION, SEE SD-55560-006
- 梱包数量：2000個/リール
NUMBER OF CONNECTORS : 2000PCS/REEL
- リードテープ長さ LEAD TAPE LENGTH



- トップテープの剥離強度：0.1N ~ 0.7N (10.2gf ~ 71.4gf)
(剥離方向は下図参照)
尚、本規格値は出荷時に適用。(但し、輸送時に剥離が発生しないこと。)
PEELING OFF FORCE OF TOP TAPE : 0.1N ~ 0.7N (10.2gf ~ 71.4gf)
(PEELING DIRECTION AS SHOWN IN FOLLOWING FIG.)
THIS REQUIREMENT SHOULD BE APPLIED AT SHIPMENT.
PEEL OFF SHOULD NOT BE ALLOWED , DURING TRANSPORTATION.



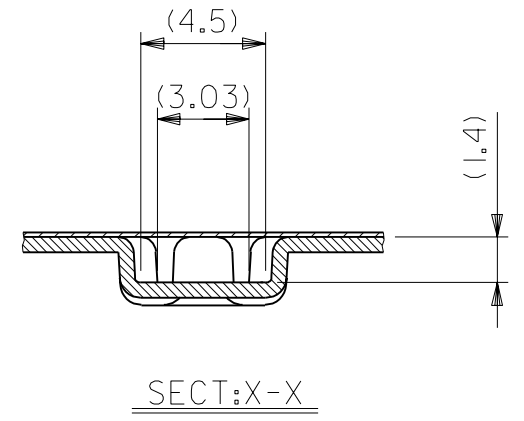
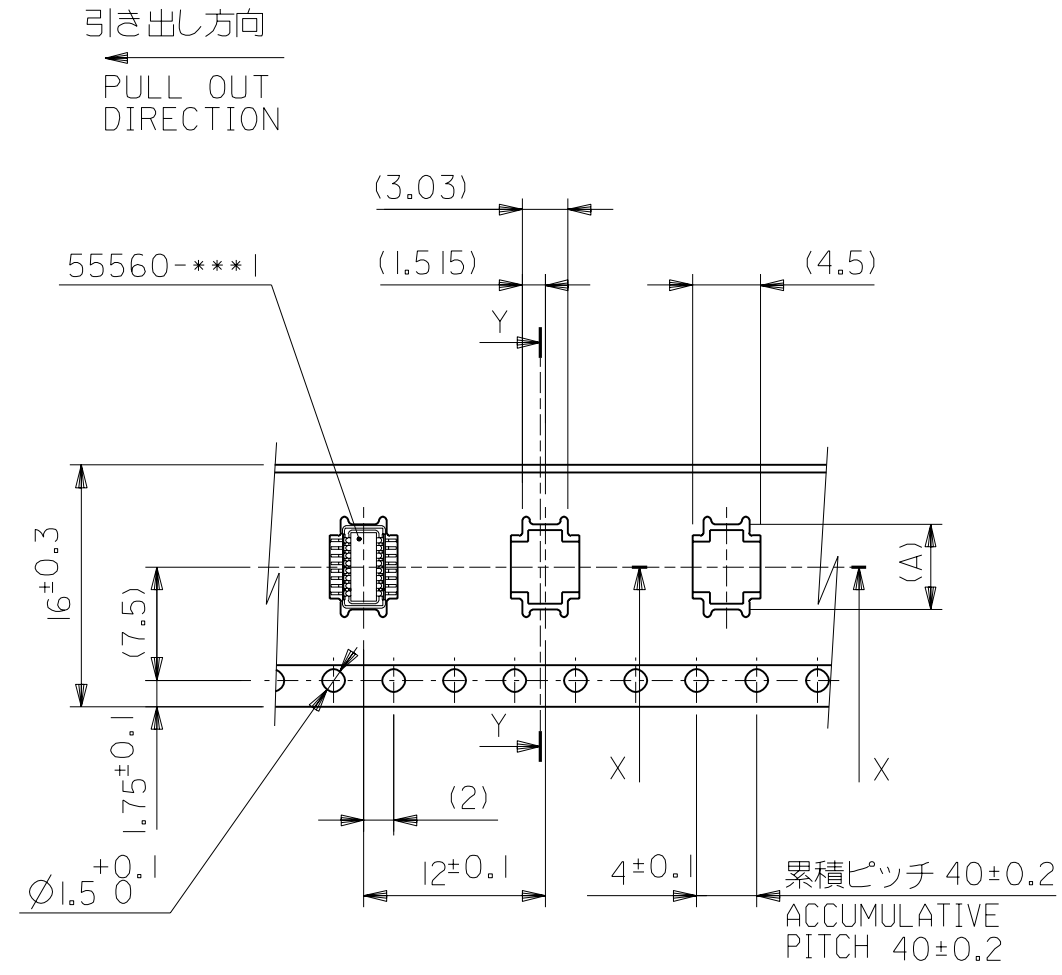
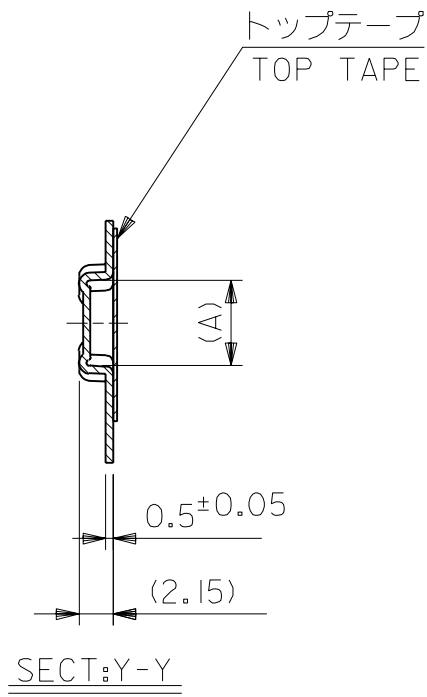
- 材料
キャリアテープ：ポリプロピレン (PP)
トップテープ：PET, PE, PEF
リール：ポリスチレン (PS) <リサイクル材を含む>

MATERIAL CARRIER TAPE:POLYPROPYLENE
TOP TAPE:PET,PE,PEF
REEL:POLYSTYREN(PS)
<RECYCLE MATERIAL CONTAINED>

064NO. DRWN: CH'K: APPR:	063NO. DRWN: CH'K: APPR:	062NO. DRWN: CH'K: APPR:	REVISED 061NO. JC2001-0604 DRWN: R.SHIINA '01/01/30 CH'K: T.IITO APPR: M.FUKUSHIMA	PROPOSED 060NO. JC2001-0402 DRWN: S.AIHARA '00/11/28 CH'K: T.IITO APPR: M.FUKUSHIMA	MATERIAL 材料 注記参照 SEE NOTES	GENERAL TOLERANCES: (UNLESS SPECIFIED) 一般公差	SCALE //	MODEL NO. 55560-***8	DIMENSIONS: <input type="checkbox"/> mm <input type="checkbox"/> INCH <input checked="" type="checkbox"/> mm ONLY	SHT REV
			10 UNDER 未満	±0.2	DRAWN BY & DATE S.AIHARA '00/11/28	TITLE: 0.5 B-To-B Conn PLUG Assy (Hgt=1.5) Embstp Pkg	ADVISE ON CAD ONLY			
			10 OVER 以上 30 UNDER 未満	±0.25	CHECKED BY & DATE T.IITO '01/01/30	MOLEX INCORPORATED	SHEET NO. 1 OF 3			
			30 OVER 以上	±0.3	APPROVED BY & DATE M.FUKUSHIMA '01/01/30	MATERIAL NO. DRAWING NO. SHEET NO.	SIZE B			
WIRE RANGE 適用電線範囲	//	ANGLE 角度	±3°	CAD FILENAME 55560008.S01	SEE CHART	SD-55560-008	1 OF 3	THIS DRAWING CONTAINS INFORMATION THAT IS PROPRIETARY TO MOLEX INCORPORATED AND SHOULD NOT BE USED WITHOUT WRITTEN PERMISSION.	EN-02J(097) MXJ-54	

8 7 6 5 4 3 2 1 EN-02J(097) MXJ-54

55560008.S01



16mm幅キャリアテープ
16mm WIDTH CARRIER TAPE

16	17.5	5.65	55560-0168	16
キャリアテープ幅 CARRIER TAPE WIDTH	B	(A)	MATERIAL NO.	極数 CIRCUIT
MODEL NO.	55560-***8		DIMENSIONS:	SHT REV
	<input type="checkbox"/> mm	<input type="checkbox"/> INCH	<input checked="" type="checkbox"/> mm	<input checked="" type="checkbox"/> INCH
	<input type="checkbox"/> mm	<input type="checkbox"/> mm	<input checked="" type="checkbox"/> ONLY	<input checked="" type="checkbox"/> CAD ONLY

DO NOT SCALE DRAWING

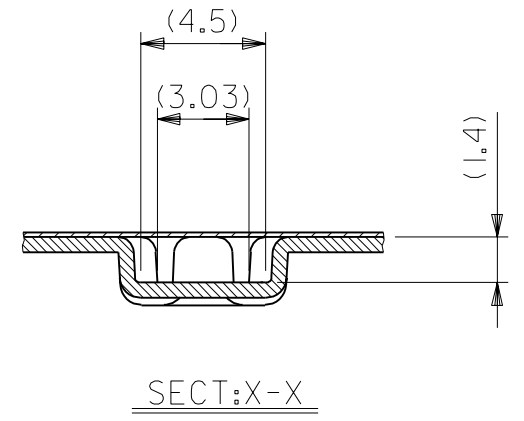
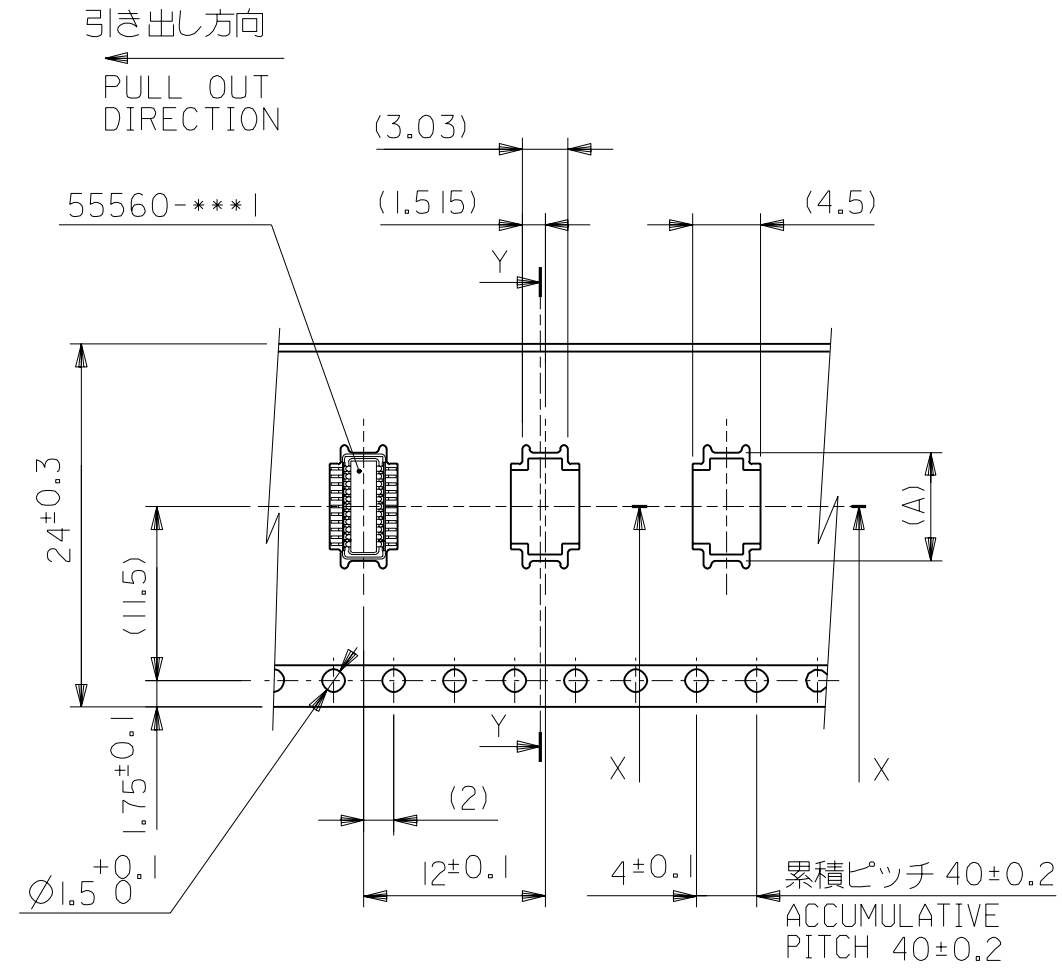
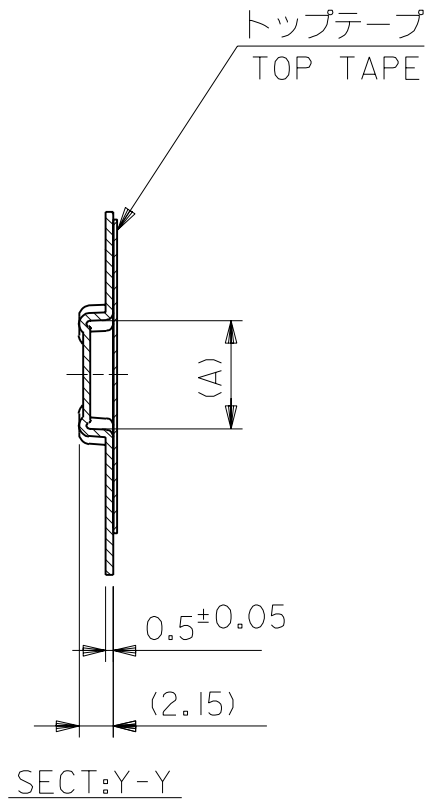
064NO. DRWN: CH'K: APPR:	063NO. DRWN: CH'K: APPR:	062NO. DRWN: CH'K: APPR:	REVISED 061NO. JC2001-0604 DRWN: R.SHIINA '01/01/30 CH'K: T.ITO APPR: M.FUKUSHIMA	PROPOSED 060NO. JC2001-0402 DRWN: S.AIHARA '00/11/28 CH'K: T.ITO APPR: M.FUKUSHIMA
			A	O

MATERIAL 材料	SHEET 1 OF 3 参照 REFER TO SHEET 1 OF 3
FINISH 仕上げ	//
WIRE RANGE 適用電線範囲	//
INS. RANGE 被覆外径	//

GENERAL TOLERANCES: (UNLESS SPECIFIED) 一般公差	SCALE	DESIGN UNITS
10 UNDER 未満	//	<input checked="" type="checkbox"/> mm <input type="checkbox"/> INCH
10 OVER 30 UNDER 以上 未満		<input type="checkbox"/> mm <input type="checkbox"/> INCH
30 OVER 以上		<input checked="" type="checkbox"/> ONLY
ANGLE 角度		±3°

DRAWN BY & DATE S.AIHARA '00/11/28	TITLE: 0.5 B-To-B Conn PLUG Assy (Hgt=1.5) Embstp Pkg
CHECKED BY & DATE T.ITO '01/01/30	MOLEX INCORPORATED
APPROVED BY & DATE M.FUKUSHIMA '01/01/30	
CAD FILENAME 55560008.S02	MATERIAL NO. SEE CHART

DRAWING NO. SD-55560-008	SHEET NO. 2 OF 3
THIS DRAWING CONTAINS INFORMATION THAT IS PROPRIETARY TO MOLEX INCORPORATED AND SHOULD NOT BE USED WITHOUT WRITTEN PERMISSION.	
SIZE B	



24mm幅キャリアテープ
24mm WIDTH CARRIER TAPE

24	25.5	7.15	55560-0228	22
キャリアテープ幅 CARRIER TAPE WIDTH	B	(A)	MATERIAL NO.	極数 CIRCUIT
MODEL NO.	55560-***8		DIMENSIONS:	SHT REV

DO NOT SCALE DRAWING

064NO. DRWN: CH'K: APPR:	063NO. DRWN: CH'K: APPR:	062NO. DRWN: CH'K: APPR:	REVISED	MATERIAL 材料 SHEET 1 OF 2 参照 REFER TO SHEET 1 OF 2	GENERAL TOLERANCES: (UNLESS SPECIFIED) 一般公差	SCALE	DESIGN UNITS	TITLE: 0.5 B-To-B Conn PLUG Assy (Hgt=1.5) Embstp Pkg			
			061NO. JC2001-0604 DRWN: R.SHIINA '01/01/30 CH'K: T.IITO APPR: M.FUKUSHIMA			PROPOSED	10 UNDER 未満		±0.2	DRAWN BY & DATE	MOLEX INCORPORATED
			060NO. JC2001-0402 DRWN: S.AIHARA '00/11/28 CH'K: T.IITO APPR: M.FUKUSHIMA			FINISH 仕上げ	10 OVER 以上 30 UNDER 未満		±0.25	CHECKED BY & DATE	
			REV			WIRE RANGE 適用電線範囲	30 OVER 以上		±0.3	APPROVED BY & DATE	
			INS. RANGE 被覆外径	ANGLE 角度	±3°	CAD FILENAME	MATERIAL NO.	DRAWING NO.	SHEET NO.		
						55560008.S03	SEE CHART	SD-55560-008	3 OF 3		

THIS DRAWING CONTAINS INFORMATION THAT IS PROPRIETARY TO MOLEX INCORPORATED AND SHOULD NOT BE USED WITHOUT WRITTEN PERMISSION.