

5536053-5 ✓ ACTIVE

EUROCARD | Eurocard Type B

TE Internal #: 5536053-5

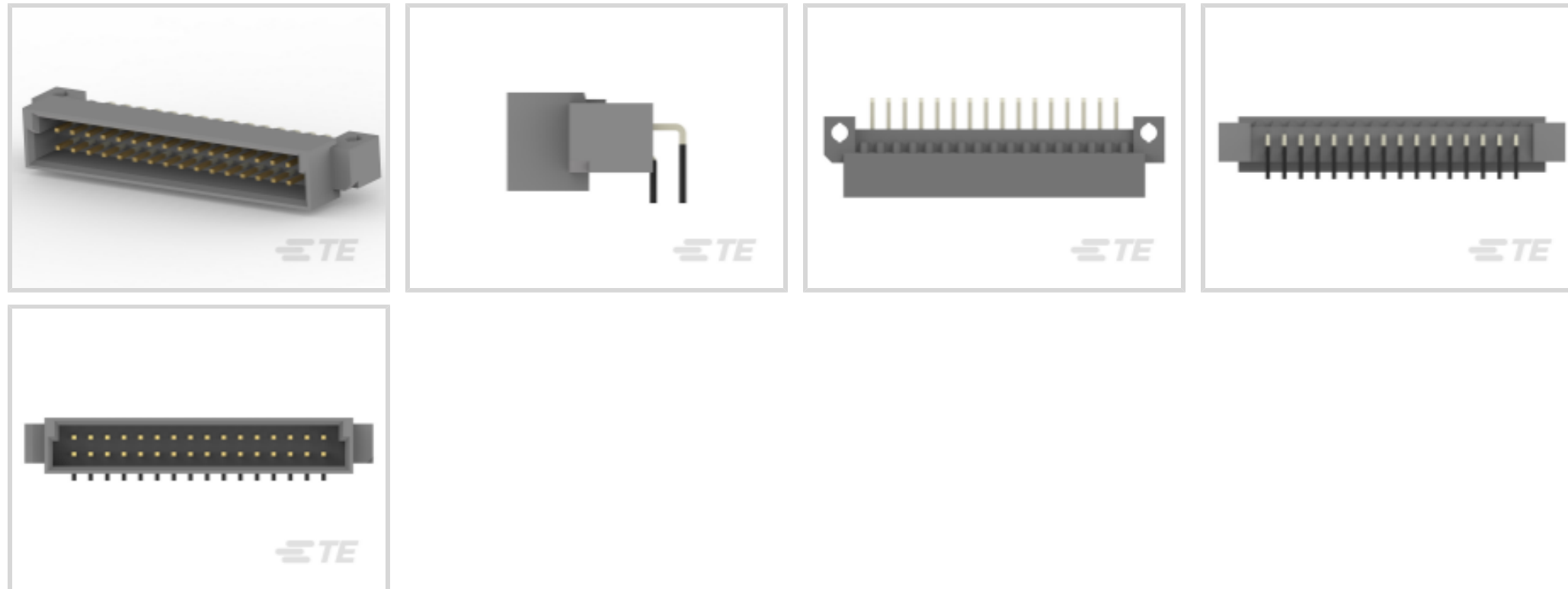
Eurocard Connectors, Plug, Board-to-Board, 32 Position, .1 in [2.54 mm] Centerline, Printed Circuit Board, 2 Row, Right Angle, Eurocard Type B

Eurocard Type B

[View on TE.com >](#)



Connectors > PCB Connectors > Backplane Connectors > Eurocard Connectors



Connector & Housing Type: **Plug**

Connector System: **Board-to-Board**

Termination Post & Tail Length: **2.64 mm [.104 in]**

Number of Positions: **32**

Centerline (Pitch): **2.54 mm [.1 in]**

Features

Product Type Features

Connector & Housing Type	Plug
Connector System	Board-to-Board
Sealable	No
Connector & Contact Terminates To	Printed Circuit Board
DIN Size	Standard
DIN Level	II

Configuration Features

Number of Positions	32
Number of Rows	2
PCB Mount Orientation	Right Angle
Number of Columns	16
Number of Signal Positions	32
Rows Loaded	A, B

Contact Features



Contact Layout	Inline
Contact Mating Area Length	4.93 mm[.164 in]
PCB Contact Termination Area Plating Material Thickness	2.54 μ m[100 μ in]
Contact Type	Pin
Contact Underplating Material Thickness	1.27 μ m[50 μ in]
Contact Mating Area Plating Material Thickness	.76 μ m[29.92 μ in]
Contact Mating Area Plating Material	Gold
Contact Underplating Material	Nickel
PCB Contact Termination Area Plating Material	Tin
Contact Base Material	Copper Alloy

Termination Features

Termination Method to Printed Circuit Board	Through Hole - Solder
Termination Post & Tail Length	2.64 mm[.104 in]

Mechanical Attachment

Mating Alignment Type	Polarization
Mating Retention	Without
Mating Alignment	With
PCB Mount Alignment	Without
PCB Mount Retention	With
PCB Mount Retention Type	Mounting Hole
Connector Mounting Type	Board Mount

Housing Features

Housing Material	Polymer - GF
Centerline (Pitch)	2.54 mm[.1 in]

Dimensions

Connector Length	53.34 mm[2.1 in]
Connector Height	12.62 mm[.497 in]
Connector Width	8.56 mm[.337 in]
PCB Thickness (Recommended)	1.57 mm[.062 in]
Row-to-Row Spacing	2.54 mm[.1 in]

Usage Conditions

Operating Temperature Range	-55 – 105 °C[-67 – 221 °F]
-----------------------------	----------------------------



Operation/Application

Shielded	No
Circuit Application	Signal

Industry Standards

UL Rating	Recognized
CSA Certified	Yes
UL File Number	E28476
CSA File Number	LR 7189
UL Flammability Rating	UL 94V-0

Packaging Features

Packaging Method	Box, Box & Tray
------------------	-----------------

Product Compliance

[For compliance documentation, visit the product page on TE.com>](#)

EU RoHS Directive 2011/65/EU	Compliant
EU ELV Directive 2000/53/EC	Compliant
China RoHS 2 Directive MIIT Order No 32, 2016	No Restricted Materials Above Threshold
EU REACH Regulation (EC) No. 1907/2006	Current ECHA Candidate List: JUNE 2022 (224) Candidate List Declared Against: JAN 2022 (223) SVHC > Threshold: Not Yet Reviewed
Halogen Content	Low Halogen - Br, Cl, F, I < 900 ppm per homogenous material. Also BFR/CFR/PVC Free
Solder Process Capability	Wave solder capable to 265°C

Product Compliance Disclaimer

This information is provided based on reasonable inquiry of our suppliers and represents our current actual knowledge based on the information they provided. This information is subject to change. The part numbers that TE has identified as EU RoHS compliant have a maximum concentration of 0.1% by weight in homogenous materials for lead, hexavalent chromium, mercury, PBB, PBDE, DBP, BBP, DEHP, DIBP, and 0.01% for cadmium, or qualify for an exemption to these limits as defined in the Annexes of Directive 2011/65/EU (RoHS2). Finished electrical and electronic equipment products will be CE marked as required by Directive 2011/65/EU. Components may not be CE marked. Additionally, the part numbers that TE has identified as EU ELV compliant have a maximum concentration of 0.1% by weight in homogenous materials for lead, hexavalent chromium, and mercury, and 0.01% for cadmium, or qualify for an exemption to these limits as defined in the Annexes of Directive 2000/53/EC (ELV). Regarding the REACH Regulation, the information TE provides on SVHC in articles for this part number is based on the latest European Chemicals Agency (ECHA) 'Guidance on requirements for substances in articles' posted at this URL: <https://echa.europa.eu/guidance-documents/guidance-on-reach>

Compatible Parts



TE Part # 5536446-5
ASSEMBLY,RECEPTACLE,EUROCARD, T



TE Part # 5536461-5
ASSY,RECEPT,EURO,TYPE B,LEAD-FREE,32,.18



TE Part # 5650864-5
ASSY,RECEPTACLE,EUROCARD,TYPE



TE Part # 5650858-5
ASSEMBLY,RECEPTACLE,EUROCARD, T




TE Part # 1-1393641-1
V42254B2202B320=PC612 FEDERLEI

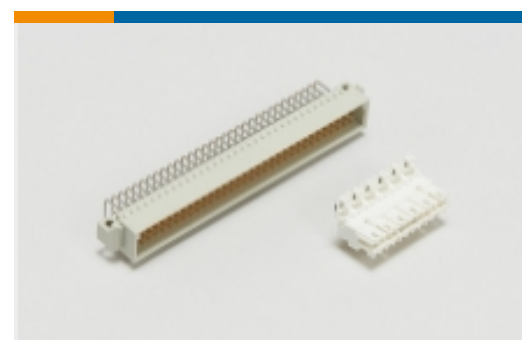


TE Part # 7-1393640-4
V42254B2201B320=PC612 FEDERLEI

Also in the Series | Eurocard Type B



Eurocard Connectors(42)



Standard Edge Connectors(2)

Customers Also Bought



TE Part #5499160-4
A/L UNIV HDR 20P VERT SHT LAT



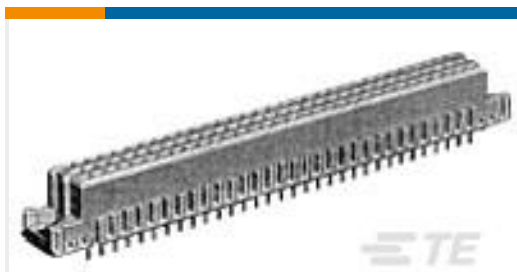
TE Part #640455-2
02P MTA100 HDR ASSY SQ R/A POL



TE Part #201578-1
CONTACT PIN ASSY.



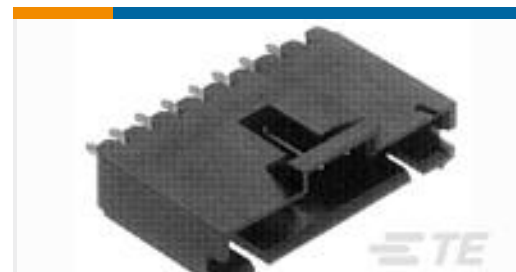
TE Part #788862-2
PT30 XFP CONNECTOR



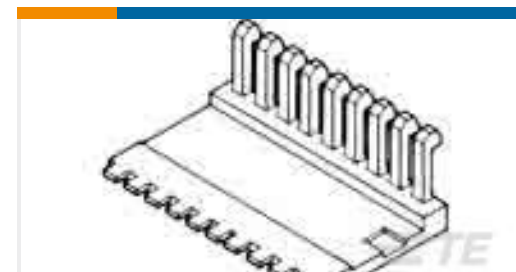
TE Part #5535089-5
ASSEMBLY,RECEPTACLE,EUROCARD,
T



TE Part #5650473-5
ASSY,PIN,EUROCARD,TYPE C,LEAD-



TE Part #5-103669-5
06 MTE HDR SRST LATCH W/HLDWN



TE Part #102536-7
18 AMPMODU MT COVER DR .100CL



TE Part #5-102398-7
18 AMPMODU MT ASSY DR .100CL

Documents

Product Drawings

[ASSY,PIN,EUROCARD,TYPE B/2,LEA](#)

English

CAD Files

Customer View Model

[ENG_CVM_CVM_5536053-5_O.2d_dxf.zip](#)

English

3D PDF

3D

Customer View Model

[ENG_CVM_CVM_5536053-5_O.3d_igs.zip](#)

English

Customer View Model

[ENG_CVM_CVM_5536053-5_O.3d_stp.zip](#)

English

By downloading the CAD file I accept and agree to the [Terms and Conditions](#) of use.

Product Specifications

[Application Specification](#)

English

Product Environmental Compliance

[MD_5536053-5_12262016415_dmtec](#)

English

[MD_5536053-5_12262016415_dmtec](#)

English

