



Terminals & Splices > Quick Disconnects



Quick Disconnect Terminal Type: **Receptacle**

Wire Size: .2 – .51 mm²

Mating Tab Width: 4.75 mm [.187 in]

Mating Tab Thickness: .5 mm [.02 in]

Features

Product Type Features

Terminates To	Wire & Cable
Wire Stop	No
Wire/Cable Type	Regular Wire
Insertion Force	Normal
Sealable	No

Configuration Features

Connection Capacity	Single
---------------------	--------

Contact Features

Quick Disconnect Terminal Type	Receptacle
Mating Tab Width	4.75 mm [.187 in]
Mating Tab Thickness	.5 mm [.02 in]
Terminal Orientation	Straight
Contact Base Material	Brass
Terminal Plating Material	Tin
Crimp Type	F-Crimp



Barrel Type	Open
-------------	------

Mechanical Attachment

Wire Insulation Support	With
-------------------------	------

Dimensions

Accepts Wire Insulation Diameter Range	1.52 – 2.8 mm [.06 – .11 in]
--	------------------------------

Overall Length	19.18 mm [.755 in]
----------------	--------------------

Receptacle Terminal Stock Thickness	.3 mm [.012 in]
-------------------------------------	-----------------

Wire Size	.2 – .51 mm ²
-----------	--------------------------

Usage Conditions

Insulation Option	Uninsulated
-------------------	-------------

Operating Temperature Range	-40 – 110 °C [-40 – 230 °F]
-----------------------------	-----------------------------

Packaging Features

Packaging Quantity	12000
--------------------	-------

Packaging Method	Strip/Reel
------------------	------------

Product Compliance

[For compliance documentation, visit the product page on TE.com>](#)

EU RoHS Directive 2011/65/EU	Compliant
------------------------------	-----------

EU ELV Directive 2000/53/EC	Compliant
-----------------------------	-----------

China RoHS 2 Directive MIIT Order No 32, 2016	No Restricted Materials Above Threshold
---	---

EU REACH Regulation (EC) No. 1907/2006	Current ECHA Candidate List: JUNE 2022 (224) Candidate List Declared Against: JAN 2022 (223) SVHC > Threshold: Not Yet Reviewed
--	--

Halogen Content	Low Halogen - Br, Cl, F, I < 900 ppm per homogenous material. Also BFR/CFR/PVC Free
-----------------	---

Solder Process Capability	Not applicable for solder process capability
---------------------------	--

Product Compliance Disclaimer

This information is provided based on reasonable inquiry of our suppliers and represents our current actual knowledge based on the information they provided. This information is subject to change. The part numbers that TE has identified as EU RoHS compliant have a maximum concentration of 0.1% by weight in homogenous materials for lead, hexavalent chromium, mercury, PBB, PBDE, DBP, BBP, DEHP, DIBP, and 0.01% for cadmium, or qualify for an exemption to these limits as defined in the Annexes of Directive 2011/65/EU (RoHS2). Finished electrical and electronic equipment products will be CE marked as required by Directive 2011/65/EU. Components may not be CE marked. Additionally, the part

numbers that TE has identified as EU ELV compliant have a maximum concentration of 0.1% by weight in homogenous materials for lead, hexavalent chromium, and mercury, and 0.01% for cadmium, or qualify for an exemption to these limits as defined in the Annexes of Directive 2000/53/EC (ELV). Regarding the REACH Regulation, the information TE provides on SVHC in articles for this part number is based on the latest European Chemicals Agency (ECHA) 'Guidance on requirements for substances in articles' posted at this URL: <https://echa.europa.eu/guidance-documents/guidance-on-reach>

Compatible Parts



TE Part # 170324-6
POSITIVE LOCK 187 REC 24-20AWG
0.3 PTPBR



TE Part # 2-2836300-2
OCEAN-2.0-APPLICATOR-S-070F140F



TE Part # 2836300-2
OCEAN-2.0-APPLICATOR-S-070F140F

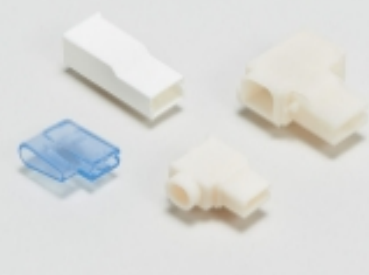


TE Part # 7-2836300-7
OCEAN_2.0_SPARE_PART_KIT-
070F140F




TE Part # 936663-1
PL 187 REC 20-16 AWG 0.3 X 14.0
PTPBR

Also in the Series | Positive Lock 187




Crimp Terminal Housings(87)



Insertion & Extraction Tools(2)

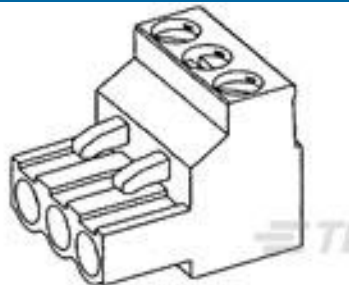


Insulation Boots & Sleeves(7)

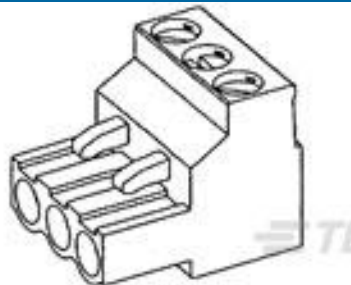


Quick Disconnects(56)

Customers Also Bought



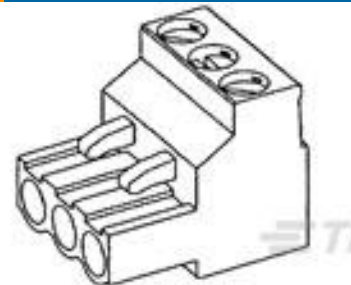
TE Part #796634-2
2 POS 5.08MM R/A PLUG,TRM BLK



TE Part #796634-3
3 POS 5.08MM R/A PLUG,TRM BLK



TE Part #1761606-7
IDC LOW PRO HDR 20P VERT LG LAT
BLK



TE Part #796634-6
6 POS 5.08MM R/A PLUG,TRM BLK



TE Part #330620
INSUL BUSHING BNC BLKHD PHEN



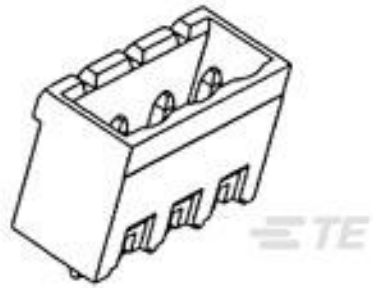
TE Part #3-1478762-7
METAL BACKSHELL 37 WAY TOP E



TE Part #YDTS26F17-99SNV001
PLUG ASSY



TE Part #YDTS24F25-19PNV001
RECP ASSY



TE Part #796636-6
6POS 5.08MM CE VRT HDR, TRM BLK



TE Part #621065-000
D-142-65

Documents

Product Drawings

[PL 187 RECEPTACLE 24-20 AWG PTPBR](#)

English

CAD Files

[3D PDF](#)

3D

Customer View Model

[ENG_CVM_CVM_63196-2_AF.2d_dxf.zip](#)

English

Customer View Model

[ENG_CVM_CVM_63196-2_AF.3d_igs.zip](#)

English

Customer View Model

[ENG_CVM_CVM_63196-2_AF.3d_stp.zip](#)

English

By downloading the CAD file I accept and agree to the [Terms and Conditions](#) of use.

Datasheets & Catalog Pages

[POS_LOCK_MII_QRG](#)

English

Product Specifications

[Product Specification](#)

English

[187 SERIES POSITIVE LOCK EX CONTACT](#)

English

63196-2

Quick Disconnects, Receptacle, 24 – 20 AWG Wire Size, .2 – .51 mm² Wire Size,
Mating Tab Width .187 in [4.75 mm], Straight, Brass, Positive Lock 187

